

R410A

Air Handlers



**NATIONAL
COMFORT
PRODUCTS**

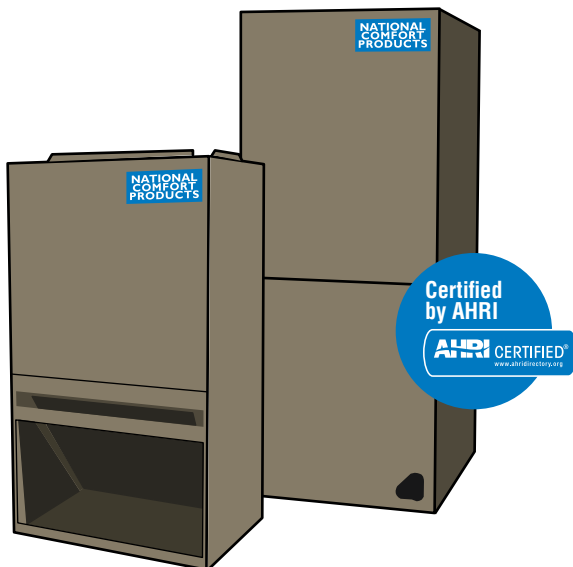
HEATING & A/C EQUIPMENT

Thru-the-Wall Comfort for all types of Multi-Family Construction



Air Handlers

Matched with All NCPE Condensing Units



NCPAH-A Series

NCPAH-M Series

Features

- Available in 2 ton and 3 ton sizes
- 208/230-1-60 supply voltage
- Accessory field-installed electric heat kits available in 5, 7.5, or 10kW (15kW available in Multi-Position only)
- Cabinet exterior of galvanized sheet metal (Apartment Style)
- Cabinet exterior of painted sheet metal (Multi-Position Style)
- Fully insulated for conditioned space (Apartment Style not to be installed in unconditioned spaces)

Performance

- ECM motor on all models
- Motor suspended on rubber grommets for quieter operation
- R-410A TXV standard
- Multi-Position Style achieves optimum efficiency with all NCPE Condensing Units

Easy to install and service

- All service access is located in the front
- Primary and secondary drain connections
- Units fit between standard stud spacings (Apartment Style)
- No return-air ductwork required in specific applications (Apartment Style)
- Wall hanging brackets included (Apartment Style)

Go Thru-the-Wall

**NATIONAL
COMFORT
PRODUCTS**

HEATING & A/C EQUIPMENT

National Comfort Products

A Division of National Refrigeration and Air Conditioning Products, Inc.

539 Dunksferry Road • Bensalem, PA 19020-5908
(800) 523-7138 • Fax (215) 639-1674

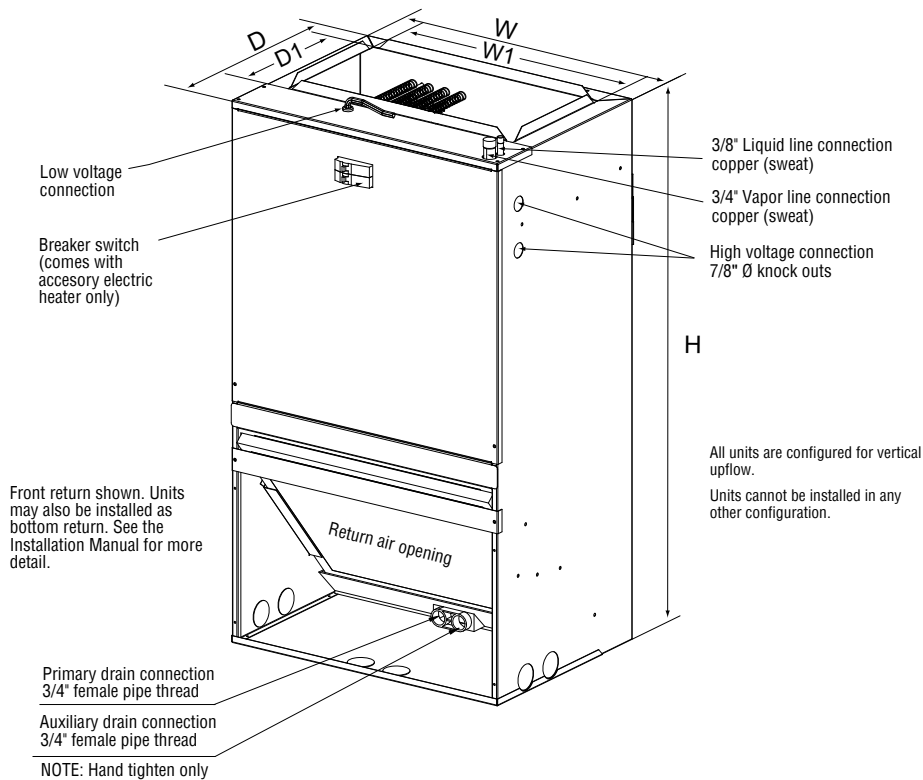
www.nationalcomfortproducts.com

NCPAH Apartment Air Handlers

Apartment Air Handler - A Series

All units 208/230V 1Ph 60 Hz											
Model	Nominal Capacity (Btu/h)	Size (Tons)	Nominal Airflow CFM		Motor HP	Motor RPM	FLA	MCA	MOP	Indoor Sound dB(A)	Filter Size
NCPAH-24-A	24,000	2 Ton	600	900	1/3	1050	1.9	2.4	15	49	16" x 20"
NCPAH-36-A	36,000	3 Ton	900	1350	1/2	1050	2.7	3.4	15	54	20" x 20"
Flow Control	TXV				Line Sizes				3/8" & 3/4"		
Dimensions										Shipping Weight	
NCPAH-24-A	36 1/2"	20 1/2"	17 4/5"		15"	9 1/2"		99 lbs			
NCPAH-36-A	39 1/2"	22"	18 3/4"		19"	9 1/2"		121 lbs			

Specifications subject to change without notice



AHRI Matched System

NCPAH-24-A

NCPE 418-1010 AHRI Reference # 8641225
NCPE 418-3010 AHRI Reference # 8641226
NCPE 418-4010 AHRI Reference # 8641227
NCPE 418-5010 AHRI Reference # 8975556
NCPE 424-1010 AHRI Reference # 8641228
NCPE 424-3010 AHRI Reference # 8641229
NCPE 424-4010 AHRI Reference # 8641230
NCPE 424-5010 AHRI Reference # 8975557

NCPAH-36-A

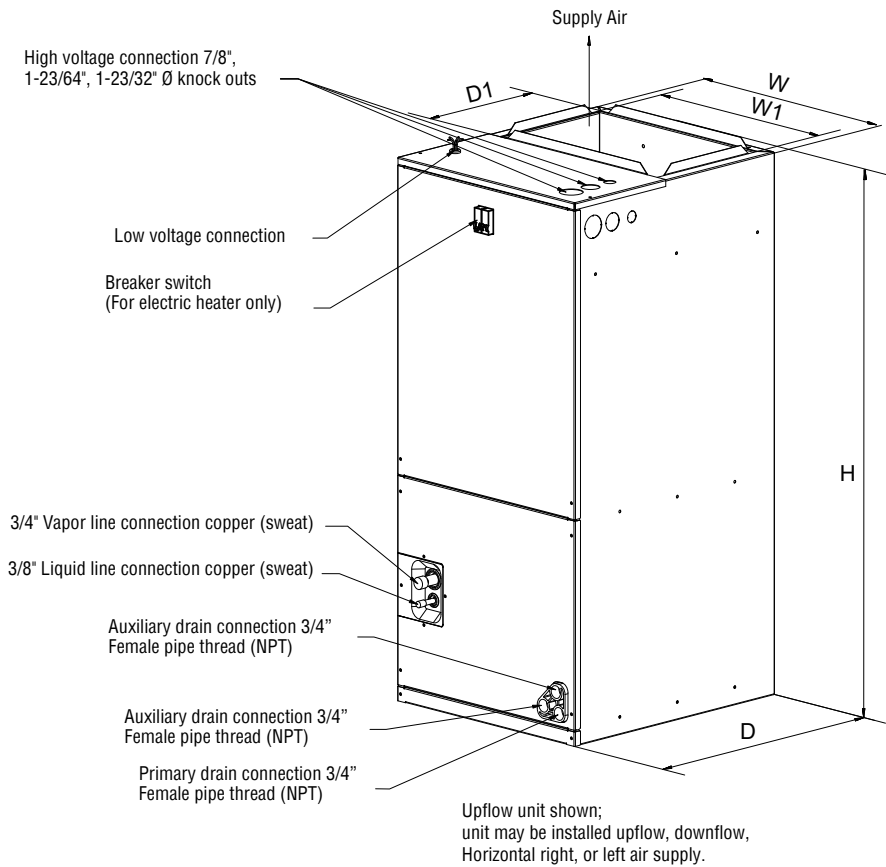
NCPE 430-1010 AHRI Reference # 8641231
NCPE 430-3010 AHRI Reference # 8641232
NCPE 430-4010 AHRI Reference # 8641252
NCPE 430-5010 AHRI Reference # 8975558



NCPAH Multi-Position Air Handlers

Multi-Position Air Handler - M Series											
All units 208/230V 1Ph 60 Hz											
Model	Nominal Capacity (Btu/h)	Size (Tons)	Nominal Airflow CFM		Motor HP	Motor RPM	FLA	MCA	MOP	Indoor Sound dB(A)	Filter Size
NCPAH-24-M	24,000	2 Ton	600	900	1/3	1050	2.8	3.5	15	63	18" x 20"
NCPAH-36-M	36,000	3 Ton	1000	1350	1/2	1050	4.1	5.1	15	65	20" x 22"
Flow Control	TXV				Line Sizes				3/8" & 3/4"		
	Dimensions						Shipping Weight				
	H	W	W1	D	D1						
NCPAH-24-M	46 1/2"	19 5/8"	18"	21 5/8"	10 5/16"		132 lbs				
NCPAH-36-M	54 1/2"	22"	19 1/2"	24"	10 5/16"		178 lbs				

Specifications subject to change without notice



AHRI Matched System

NCPAH-24-M

NCPE 418-1010 AHRI Reference # 202055107
NCPE 418-3010 AHRI Reference # 202055109
NCPE 418-4010 AHRI Reference # 202055110
NCPE 418-5010 AHRI Reference # 8952889
NCPE 424-1010 AHRI Reference # 202055115
NCPE 424-3010 AHRI Reference # 202055116
NCPE 424-4010 AHRI Reference # 202055118
NCPE 424-5010 AHRI Reference # 8952890

NCPAH-36-M

NCPE 430-1010 AHRI Reference # 202055127
NCPE 430-3010 AHRI Reference # 202055128
NCPE 430-4010 AHRI Reference # 202055130
NCPE 430-5010 AHRI Reference # 8952891





National Comfort Products
A Division of National Refrigeration and Air Conditioning Products, Inc.
539 Dunksferry Road • Bensalem, PA 19020-5908
(800) 523-7138 • Fax (215) 639-1674
www.nationalcomfortproducts.com



Spec-NCPAH 6/2020