

## U-SERIES

Comfort Pack  
with up to 95% Gas Heat

*Go Thru-the-Wall*



*Thru-the-Wall Comfort for all types of Multi-Family Construction*

### Features

- Adjustable 5 Speed DC Indoor Motor
- Self-Contained Heating and Cooling Unit
- Precharged and Prewired
- Ships with standard Pre-Painted Stamped Exterior Grille (Pictured right)
- 16" x 25" Filter Included

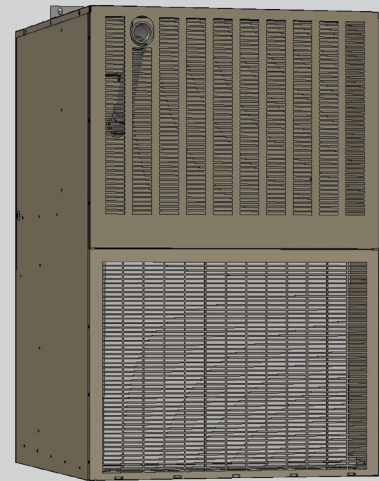
### Cooling System

- Slide-Out Universal Cooling Chassis provided with polarized molex plug connections
- Easy Access Coremax Service Ports
- R-410A High Efficiency Compressor
- 1, 1.5, and 2 Ton Cooling Capacities
- TXV installed in all models for optimum performance
- Standard Secondary Drain Connection

### Heating

- Up to 95% AFUE Gas Efficiency
- Slide-Out Furnace with 409 Stainless Steel Heat Exchanger
- Up to 46,500 BTUH Heating Capacity Output
- Diagnostic LEDs and flame visible through sight glass on Furnace Door

Cooling Unit with up to  
95% AFUE Gas Heat



### Comfort Pack

Shown with Factory Installed,  
Pre-Painted Stamped Exterior Grille

Meets All  
2023 DOE Requirements

**NATIONAL  
COMFORT  
PRODUCTS**

HEATING & A/C EQUIPMENT

### National Comfort Products

*A Division of National Refrigeration and Air Conditioning Products, Inc.*

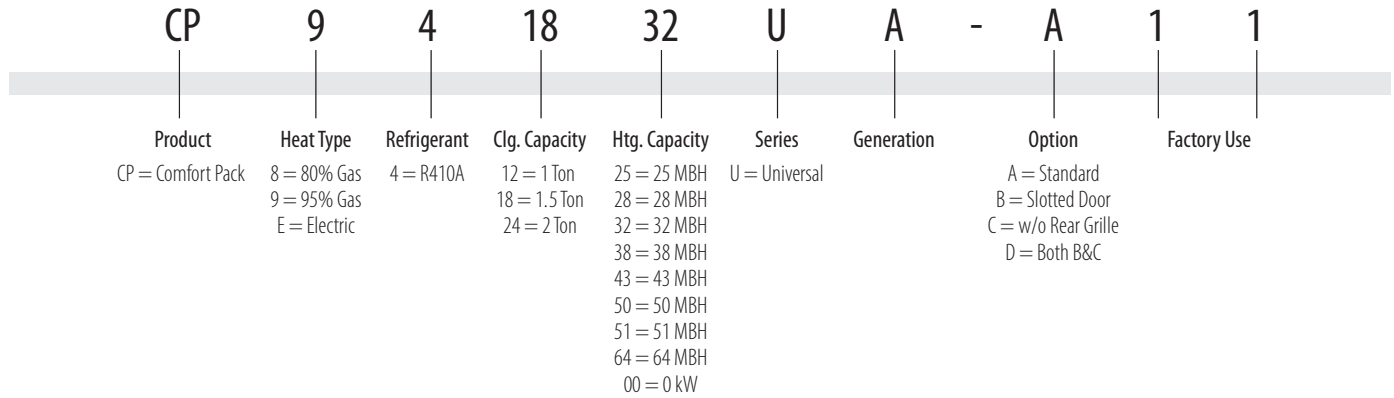
539 Dunksferry Road • Bensalem, PA 19020-5908

(800) 523-7138 • Fax (215) 639-1674

[www.NationalComfortProducts.com](http://www.NationalComfortProducts.com)

**AHRI** CERTIFIED®  
[www.ahridirectory.org](http://www.ahridirectory.org)

# Nomenclature 2023



## Performance Data

11.7 SEER2 – up to 95% AFUE								
Model	Nominal Cooling Tons	Cooling Btuh	Sensible Btuh	Charge R-410A (oz)	AFUE	Heater Input (Btuh)	Heater Output (Btuh)	Shipping Weight (lbs.)
CP941225UA	1	12,000	8,700	30	95%	25,000	23,750	315
CP941232UA	1	12,000	8,700	30	95%	32,000	30,400	315
CP941825UA	1.5	17,300	13,000	43	95%	25,000	23,750	325
CP941832UA	1.5	17,300	13,000	43	95%	32,000	30,400	325
CP941843UA	1.5	17,300	13,000	43	95%	43,000	40,850	325
CP941850UA	1.5	17,300	13,000	43	93%	50,000	46,500	325
CP942425UA	2	21,600	15,600	43	95%	25,000	23,750	350
CP942432UA	2	21,600	15,600	43	95%	32,000	30,400	350
CP942443UA	2	21,600	15,600	43	95%	43,000	40,850	350
CP942450UA	2	21,600	15,600	43	93%	50,000	46,500	350

## Electrical Data

Model	Voltage	Compressor		Condenser Motor			Blower		Total Amps	MCA	MOP
		RLA	LRA	HP	RLA	LRA	HP	RLA			
CP941225UA	208-230/60/1	4.7	29.5	1/4	2.4	-	1/3	3.0	10.1	11.3	15
CP941232UA	208-230/60/1	4.7	29.5	1/4	2.4	-	1/3	3.0	10.1	11.3	15
CP941825UA	208-230/60/1	6.5	37.5	1/4	1.83	3.6	1/3	3.0	11.3	13.0	15
CP941832UA	208-230/60/1	6.5	37.5	1/4	1.83	3.6	1/3	3.0	11.3	13.0	15
CP941843UA	208-230/60/1	6.5	37.5	1/4	1.83	3.6	1/3	3.0	11.3	13.0	15
CP941850UA	208-230/60/1	6.5	37.5	1/4	1.83	3.6	1/3	3.0	11.3	13.0	15
CP942425UA	208-230/60/1	8.4	37.0	1/4	2.4	-	1/2	3.9	14.7	16.8	25
CP942432UA	208-230/60/1	8.4	37.0	1/4	2.4	-	1/2	3.9	14.7	16.8	25
CP942443UA	208-230/60/1	8.4	37.0	1/4	2.4	-	1/2	3.9	14.7	16.8	25
CP942450UA	208-230/60/1	8.4	37.0	1/4	2.4	-	1/2	3.9	14.7	16.8	25

## Air Flow Data

Models	Color	Speed Tap	ESP (in. wc) / CFM				
			0.1	0.2	0.3	0.4	0.5
CP9412**UA	Red	1	760	745	730	715	700
	Yellow	2	650	640	630	615	600
	Blue	3	560	535	520	510	500
	Black	4	440	425	410	390	370
	Orange	5	390	360	330	310	290
CP9418**UA	Red	1	760	745	730	715	700
	Yellow	2	650	640	630	615	600
	Blue	3	560	535	520	510	500
	Black	4	440	425	410	390	370
	Orange	5	390	360	330	310	290
CP9424**UA	Red	1	870	850	830	810	790
	Yellow	2	760	745	730	715	690
	Blue	3	680	665	650	630	610
	Black	4	590	565	540	525	510
	Orange	5	440	425	410	400	390

## Other Options

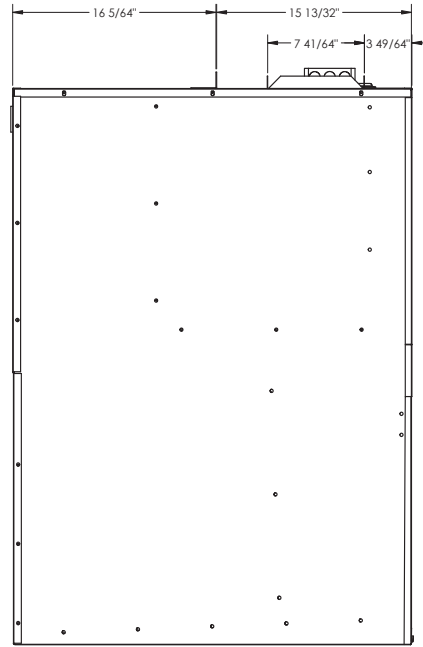
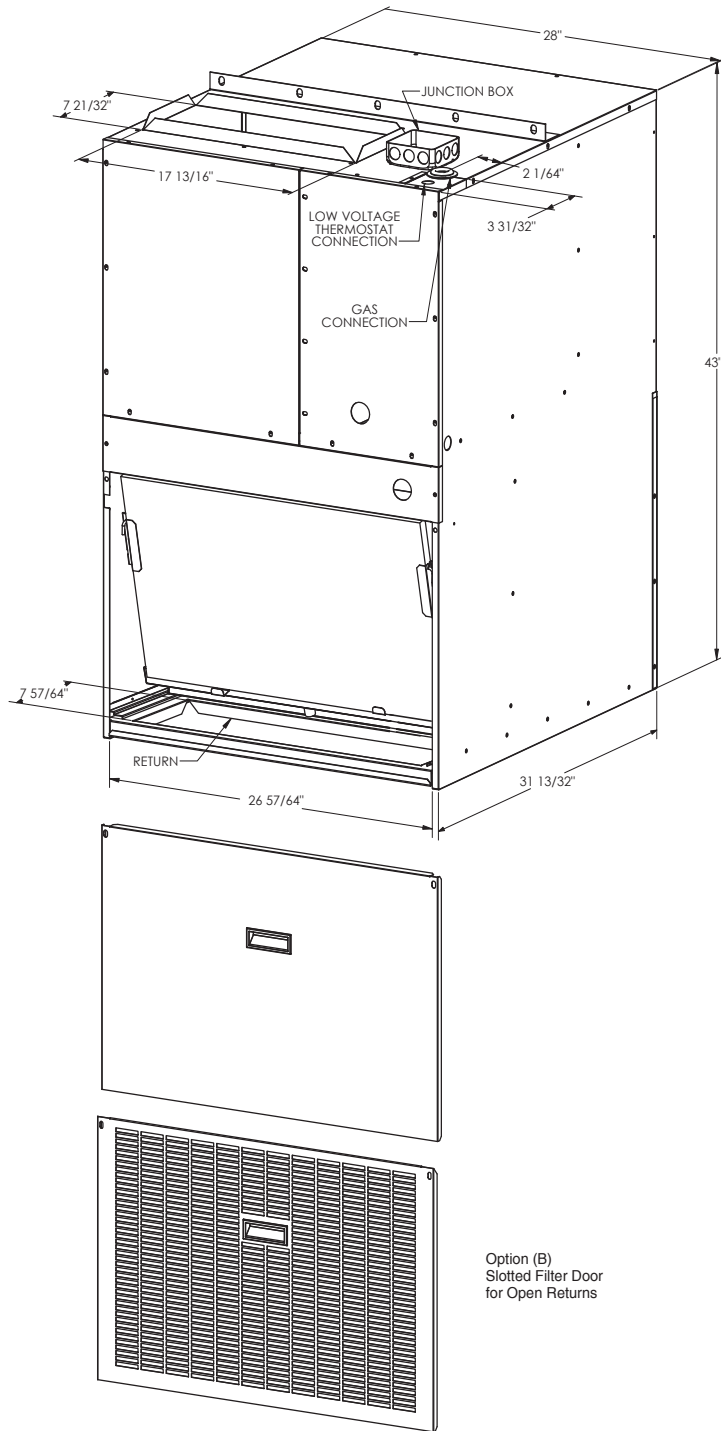
CPWS	Wall Sleeve (Unassembled)
CPWSA	Wall Sleeve Adapter (Unassembled)
CPLGX	Architectural Louver Grille
CPLGX-S	Architectural Louver Grille for Sleeve
CPLGX-P	Architectural Louver Grille Painted
CPLGX-SP	Architectural Louver Grille for Sleeve Painted
CPSGX-P	Stamped Grille Painted
A	Standard
B	Slotted Door
C	without Rear Grille
D	Both B & C
14508008	25K LP Conversion Kit
	43K LP Conversion Kit* (35,000 input)
	50K LP Conversion Kit

NOTE: National Comfort Products offers Architectural Louver Grilles for all models. Outdoor grilles provided by others must be approved by National Comfort Products to maintain unit performance and warranty coverage. See Comfort Pack Architectural Options Specification Sheet for more details.

## Comfort Pack Advantages

- Up to 95% Efficient Slide Out Furnace with Stainless Steel Heat Exchanger
- Universal Cooling Chassis, Slides Out for Ease of Service
- Easy Access Refrigeration Service Ports Utilizing Low Loss Coremax Technology
- Polarized Molex Plugs Allowing for Simple Disconnect from Cabinet
- Secondary Drain Provides Built in Condensate Overflow Protection

# Unit Dimensions



Side view

Option (B)  
Slotted Filter Door  
for Open Returns

NOTE: Unit must be mounted a minimum of 8 inches above finished floor.  
See installation guide for vent termination clearances



**National Comfort Products**  
A Division of National Refrigeration and Air Conditioning Products, Inc.  
539 Dunksferry Road • Bensalem, PA 19020-5908  
(800) 523-7138 • Fax (215) 639-1674  
[www.NationalComfortProducts.com](http://www.NationalComfortProducts.com)



All specifications are subject to change without notice.

Spec Comfort Pack with up to 95% Gas Heat 2023