

U-SERIES

Comfort Pack
with 80% Gas Heat

Go Thru-the-Wall



Thru-the-Wall Comfort for all types of Multi-Family Construction

Features

- Adjustable 5 Speed DC Indoor Motor
- Self-Contained Heating and Cooling Unit
- Precharged and Prewired
- Ships with standard Pre-Painted Stamped Exterior Grille (Pictured right)
- 16" x 25" Filter Included

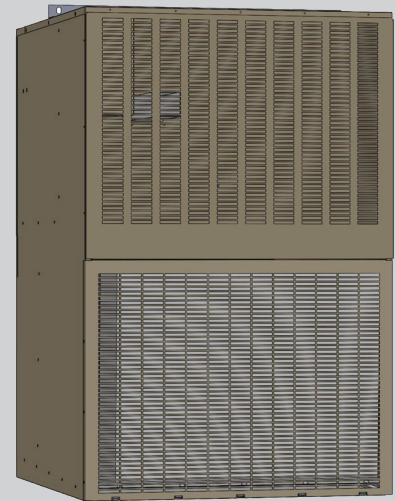
Cooling System

- Slide-Out Universal Cooling Chassis provided with polarized molex plug connections
- Easy Access Coremax Service Ports
- R-410A High Efficiency Compressor
- 1, 1.5, and 2 Ton Cooling Capacities
- TXV installed in all models for optimum performance
- Standard Secondary Drain Connection

Heating

- 80% AFUE Gas Efficiency
- Slide-Out Furnace with 409 Stainless Steel Heat Exchanger
- Up to 51,000 BTUH Heating Capacity Output
- Diagnostic LEDs and flame visible through sight glass on Furnace Door
- Sealed Combustion Chamber

Cooling Unit with
80% AFUE Gas Heat



Comfort Pack

Shown with Factory Installed,
Pre-Painted Stamped Exterior Grille

Meets All
2023 DOE Requirements

**NATIONAL
COMFORT
PRODUCTS**

HEATING & A/C EQUIPMENT

National Comfort Products

A Division of National Refrigeration and Air Conditioning Products, Inc.

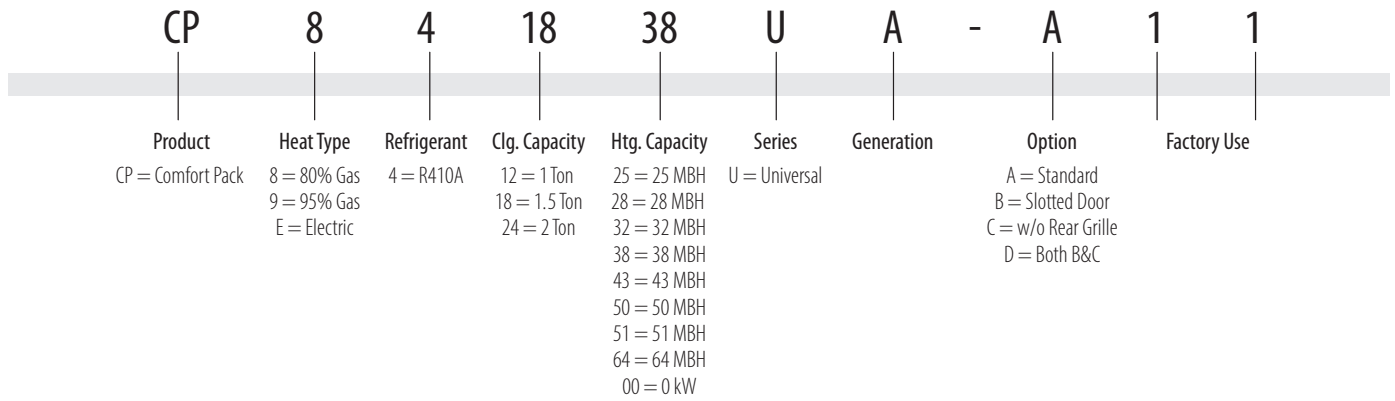
539 Dunksferry Road • Bensalem, PA 19020-5908

(800) 523-7138 • Fax (215) 639-1674

www.NationalComfortProducts.com

AHRI CERTIFIED®
www.ahridirectory.org

Nomenclature 2023



Performance Data

11.7 SEER2 – 80% AFUE							
Model	Nominal Cooling Tons	Cooling Btuh	Sensible Btuh	Charge R-410A (oz)	Heater Input (Btuh)	Heater Output (Btuh)	Shipping Weight (lbs.)
CP841228UA	1	12,000	8,700	30	28,000	22,400	315
CP841238UA	1	12,000	8,700	30	38,000	30,400	315
CP841828UA	1.5	17,300	13,000	43	28,000	22,400	325
CP841838UA	1.5	17,300	13,000	43	38,000	30,400	325
CP841851UA	1.5	17,300	13,000	43	51,000	40,800	325
CP841864UA	1.5	17,300	13,000	43	64,000	51,200	325
CP842428UA	2	21,600	15,600	43	28,000	22,400	350
CP842438UA	2	21,600	15,600	43	38,000	30,400	350
CP842451UA	2	21,600	15,600	43	51,000	40,800	350
CP842464UA	2	21,600	15,600	43	64,000	51,200	350

Electrical Data

Model	Voltage	Compressor		Condenser Motor			Blower		Total Amps	MCA	MOP
		RLA	LRA	HP	RLA	LRA	HP	RLA			
CP841228UA	208-230/60/1	4.7	29.5	1/4	2.4	-	1/3	3.0	10.1	11.3	15
CP841238UA	208-230/60/1	4.7	29.5	1/4	2.4	-	1/3	3.0	10.1	11.3	15
CP841828UA	208-230/60/1	6.5	37.5	1/4	1.83	3.6	1/3	3.0	11.3	13.0	15
CP841838UA	208-230/60/1	6.5	37.5	1/4	1.83	3.6	1/3	3.0	11.3	13.0	15
CP841851UA	208-230/60/1	6.5	37.5	1/4	1.83	3.6	1/3	3.0	11.3	13.0	15
CP841864UA	208-230/60/1	6.5	37.5	1/4	1.83	3.6	1/3	3.0	11.3	13.0	15
CP842428UA	208-230/60/1	8.4	37.0	1/4	2.4	-	1/2	3.9	14.7	16.8	25
CP842438UA	208-230/60/1	8.4	37.0	1/4	2.4	-	1/2	3.9	14.7	16.8	25
CP842451UA	208-230/60/1	8.4	37.0	1/4	2.4	-	1/2	3.9	14.7	16.8	25
CP842464UA	208-230/60/1	8.4	37.0	1/4	2.4	-	1/2	3.9	14.7	16.8	25

Air Flow Data

Models	Color	Speed Tap	ESP (in. wc) / CFM				
			0.1	0.2	0.3	0.4	0.5
CP84-12**UA	Red	1	760	745	730	715	700
	Yellow	2	650	640	730	615	600
	Blue	3	560	535	520	510	500
	Black	4	440	425	410	390	370
	Orange	5	390	360	330	310	290
CP84-18**UA	Red	1	760	745	730	715	700
	Yellow	2	650	640	630	615	600
	Blue	3	560	535	520	510	500
	Black	4	440	425	410	390	370
	Orange	5	390	360	330	310	290
CP84-24**UA	Red	1	870	850	830	810	790
	Yellow	2	760	745	730	715	690
	Blue	3	680	665	650	630	610
	Black	4	590	565	540	525	510
	Orange	5	440	425	410	400	390

Other Options

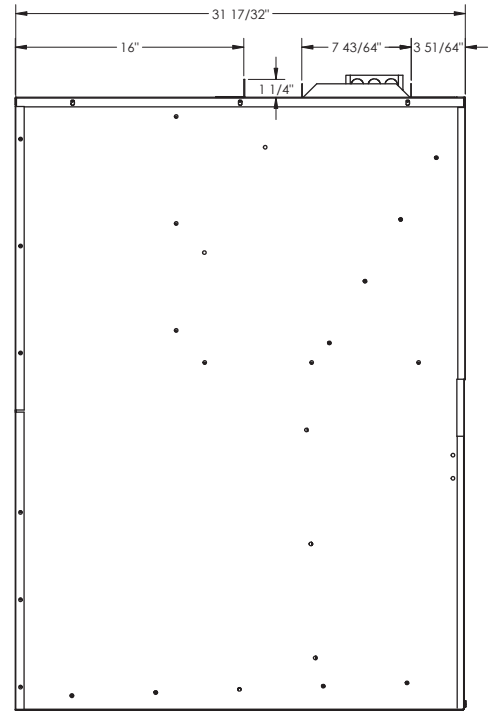
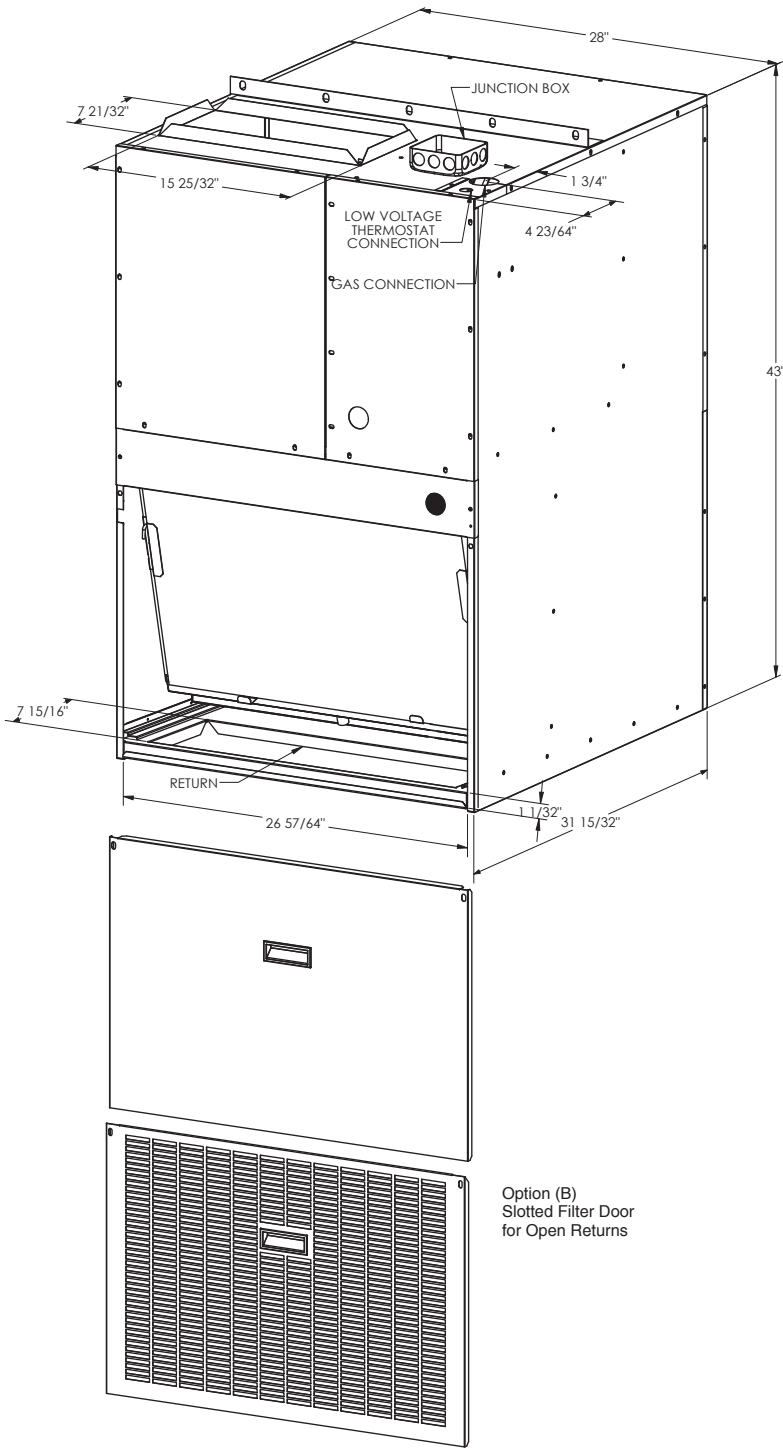
CPWS	Wall Sleeve (Unassembled)
CPWSA	Wall Sleeve Adapter (Unassembled)
CPLG	Architectural Louver Grille
CPLG-S	Architectural Louver Grille for Sleeve
CPLG-P	Architectural Louver Grille Painted
CPLG-SP	Architectural Louver Grille for Sleeve Painted
CPSG-P	Stamped Grille Painted
A	Standard
B	Slotted Door
C	with out Rear Grille
D	Both B & C
14208343	LP Kit (38 MBTU)
14208344	LP Kit (51 MBTU)
14208345	LP Kit (64 MBTU)

NOTE: National Comfort Products offers Architectural Louver Grilles for all models. Outdoor grilles provided by others must be approved by National Comfort Products to maintain unit performance and warranty coverage. See Comfort Pack Architectural Options Specification Sheet for more details.

Comfort Pack Advantages

- 80% Efficient Slide Out Furnace with Stainless Steel Heat Exchanger
- Universal Cooling Chassis, Slides Out for Ease of Service
- Easy Access Refrigeration Service Ports Utilizing Low Loss Coremax Technology
- Polarized Molex Plugs Allowing for Simple Disconnect from Cabinet
- Secondary Drain Provides Built In Condensate Overflow Protection

Unit Dimensions



Side view

Option (B)
Slotted Filter Door
for Open Returns

NOTE: Unit must be mounted a minimum of 8 inches above finished floor.
See installation guide for vent termination clearances



National Comfort Products
A Division of National Refrigeration and Air Conditioning Products, Inc.
539 Dunksferry Road • Bensalem, PA 19020-5908
(800) 523-7138 • Fax (215) 639-1674
www.NationalComfortProducts.com



All specifications are subject to change without notice.

U-Series Comfort Pack with 80% Gas Heat 12/2022