

## U-SERIES

Comfort Pack  
with Electric Heat Option

*Go Thru-the-Wall*



*Thru-the-Wall Comfort for all types of Multi-Family Construction*

### Features

- Adjustable 5 Speed DC Indoor Motor
- Self-Contained Heating and Cooling Unit
- Precharged and Prewired
- Ships with standard Pre-Painted Stamped Exterior Grille (Pictured right)
- 16" x 25" Filter Included

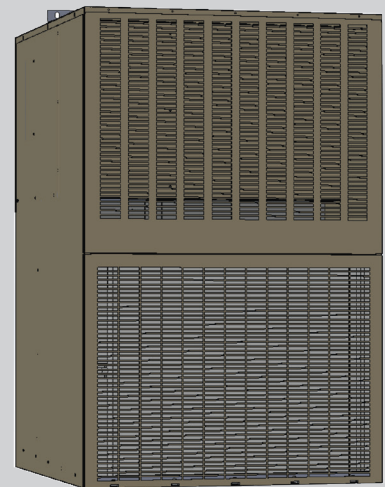
### Cooling System

- Slide-Out Universal Cooling Chassis provided with polarized molex plug connections
- Easy Access Coremax Service Ports
- R-410A High Efficiency Compressor
- 1, 1.5, and 2 Ton Cooling Capacities
- TXV installed in all models for optimum performance
- Standard Secondary Drain Connection

### Optional Heating

- Field installed heat kits up to 15KW Electric Resistance Heat
- 2 Stage Electric Heat Control Board
- Internal Automatic Reset Thermal Limits
- Breaker Protection

## Cooling Unit with Electric Heat Option



### Comfort Pack

Shown with Factory Installed,  
Pre-Painted Stamped Exterior Grille

Meets All  
2023 DOE Requirements

**NATIONAL  
COMFORT  
PRODUCTS**

HEATING & A/C EQUIPMENT

### National Comfort Products

*A Division of National Refrigeration and Air Conditioning Products, Inc.*

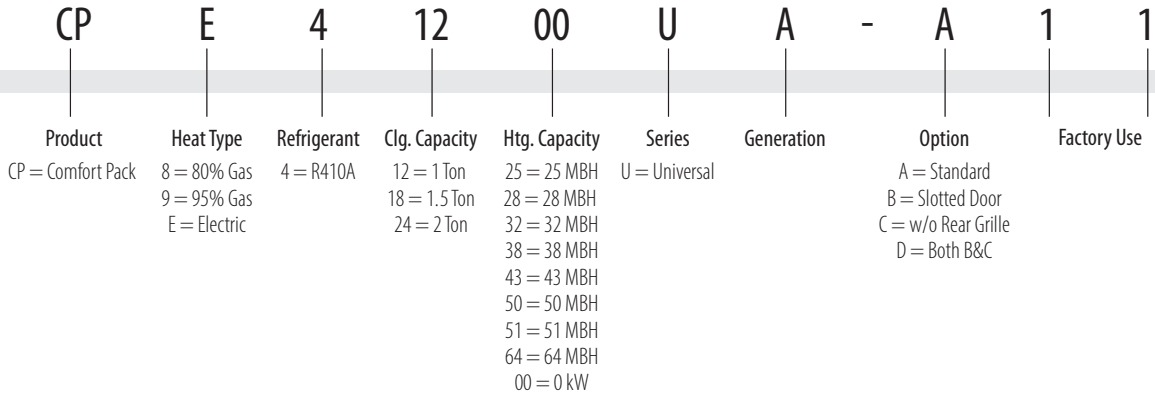
539 Dunksferry Road • Bensalem, PA 19020-5908

(800) 523-7138 • Fax (215) 639-1674

[www.NationalComfortProducts.com](http://www.NationalComfortProducts.com)

**AHRI** CERTIFIED®  
[www.ahridirectory.org](http://www.ahridirectory.org)

# Nomenclature 2023



## Performance Data

11.7 SEER2												
Model	Nominal Cooling Tons	Cooling Btuh	Sensible Btuh	Charge R-410A (oz)	Heat Option	Heating Btuh		Heating kW		Heating Amps		Shipping Weight (lbs.)
						230V	208V	230V	208V	230V	208V	
CPE412**UA	1	12,000	8,600	30.0	N/A	N/A	N/A	N/A	N/A	N/A	N/A	315
	1	12,000	8,600	30.0	CPEHK03 (3 kW)	10,900	8,900	3.20	2.62	13.91	12.59	315
	1	12,000	8,600	30.0	CPEHK05 (5 kW)	16,000	13,100	4.68	3.83	20.34	18.41	315
	1	12,000	8,600	30.0	CPEHK07 (7 kW)	22,400	18,300	6.58	5.37	28.61	25.82	315
	1	12,000	8,600	30.0	CPEHK10 (10 kW)	32,000	26,000	9.35	7.64	40.65	36.70	315
CPE418**UA	1.5	17,300	12,500	43.0	N/A	N/A	N/A	N/A	N/A	N/A	N/A	325
	1.5	17,300	12,500	43.0	CPEHK03 (3 kW)	10,900	8,900	3.20	2.62	13.91	12.59	325
	1.5	17,300	12,500	43.0	CPEHK05 (5 kW)	16,000	13,100	4.68	3.83	20.34	18.41	325
	1.5	17,300	12,500	43.0	CPEHK07 (7 kW)	22,400	18,300	6.58	5.37	28.61	25.82	325
	1.5	17,300	12,500	43.0	CPEHK10 (10 kW)	32,000	26,000	9.35	7.64	40.65	36.70	325
CPE424**UA	2	21,600	15,600	43.0	N/A	N/A	N/A	N/A	N/A	N/A	N/A	350
	2	21,600	15,600	43.0	CPEHK03 (3 kW)	10,900	8,900	3.20	2.62	13.91	12.59	350
	2	21,600	15,600	43.0	CPEHK05 (5 kW)	16,000	13,100	4.68	3.83	20.34	18.41	350
	2	21,600	15,600	43.0	CPEHK07 (7 kW)	22,400	18,300	6.58	5.37	28.61	25.82	350
	2	21,600	15,600	43.0	CPEHK10 (10 kW)	32,000	26,000	9.35	7.64	40.65	36.70	350

## Electrical Data

Model	Heat Option	Voltage	Compressor		Condenser Motor			Blower		Total Amps		MCA		MOP	
			RLA	LRA	HP	RLA	LRA	HP	RLA	230V	208V	230V	208V	230V	208V
CPE412**UA	N/A	208-230/60/1	4.7	29.5	1/4	2.4	-	1/3	3.0	10.1	10.1	11.3	11.3	15	15
	CPEHK03 (3 kW)	208-230/60/1	4.7	29.5	1/4	2.4	-	1/3	3.0	16.9	15.6	20.4	18.7	25	20
	CPEHK05 (5 kW)	208-230/60/1	4.7	29.5	1/4	2.4	-	1/3	3.0	23.3	21.4	28.4	26	30	30
	CPEHK07 (7 kW)	208-230/60/1	4.7	29.5	1/4	2.4	-	1/3	3.0	31.6	28.8	38.8	35.3	40	40
	CPEHK10 (10 kW)	208-230/60/1	4.7	29.5	1/4	2.4	-	1/3	3.0	43.7	39.7	53.8	48.9	55	50
CPE418**UA	N/A	208-230/60/1	6.5	37.5	1/4	1.83	3.6	1/3	3.0	11.3	11.3	13.0	13.0	15	15
	CPEHK03 (3 kW)	208-230/60/1	6.5	37.5	1/4	1.83	3.6	1/3	3.0	16.9	15.6	20.4	18.7	25	20
	CPEHK05 (5 kW)	208-230/60/1	6.5	37.5	1/4	1.83	3.6	1/3	3.0	23.3	21.4	28.4	26	30	30
	CPEHK07 (7 kW)	208-230/60/1	6.5	37.5	1/4	1.83	3.6	1/3	3.0	31.6	28.8	38.8	35.3	40	40
	CPEHK10 (10 kW)	208-230/60/1	6.5	37.5	1/4	1.83	3.6	1/3	3.0	43.7	39.7	53.8	48.9	55	50
	CPEHK15 (15 kW)	208-230/60/1	6.5	37.5	1/4	1.83	3.6	1/3	3.0	64.0	58.1	79.2	71.9	80	75
CPE424**UA	N/A	208-230/60/1	8.4	37.0	1/4	2.4	-	1/2	3.9	14.7	14.7	16.8	16.8	25	25
	CPEHK03 (3 kW)	208-230/60/1	8.4	37.0	1/4	2.4	-	1/2	3.9	17.8	16.5	21.3	19.6	25	25
	CPEHK05 (5 kW)	208-230/60/1	8.4	37.0	1/4	2.4	-	1/2	3.9	24.2	22.3	29.3	26.9	30	30
	CPEHK07 (7 kW)	208-230/60/1	8.4	37.0	1/4	2.4	-	1/2	3.9	32.5	29.7	39.7	36.2	40	40
	CPEHK10 (10 kW)	208-230/60/1	8.4	37.0	1/4	2.4	-	1/2	3.9	44.6	40.6	54.7	49.8	55	50
	CPEHK15 (15 kW)	208-230/60/1	8.4	37.0	1/4	2.4	-	1/2	3.9	64.9	59.0	80.1	72.8	85	75

## Air Flow Data

Models	Color	Speed Tap	ESP (in. wc) / CFM				
			0.1	0.2	0.3	0.4	0.5
CPE412**UA	Red	1	760	745	730	715	700
	Yellow	2	650	640	630	615	600
	Blue	3	560	535	520	510	500
	Black	4	440	425	410	390	370
	Orange	5	390	360	330	310	290
CPE418**UA	Red	1	760	745	730	715	700
	Yellow	2	650	640	630	615	600
	Blue	3	560	535	520	510	500
	Black	4	440	425	410	390	370
	Orange	5	390	360	330	310	290
CPE424**UA	Red	1	870	850	830	810	790
	Yellow	2	760	745	730	715	690
	Blue	3	680	665	650	630	610
	Black	4	590	565	540	525	510
	Orange	5	440	425	410	400	390

## Other Options

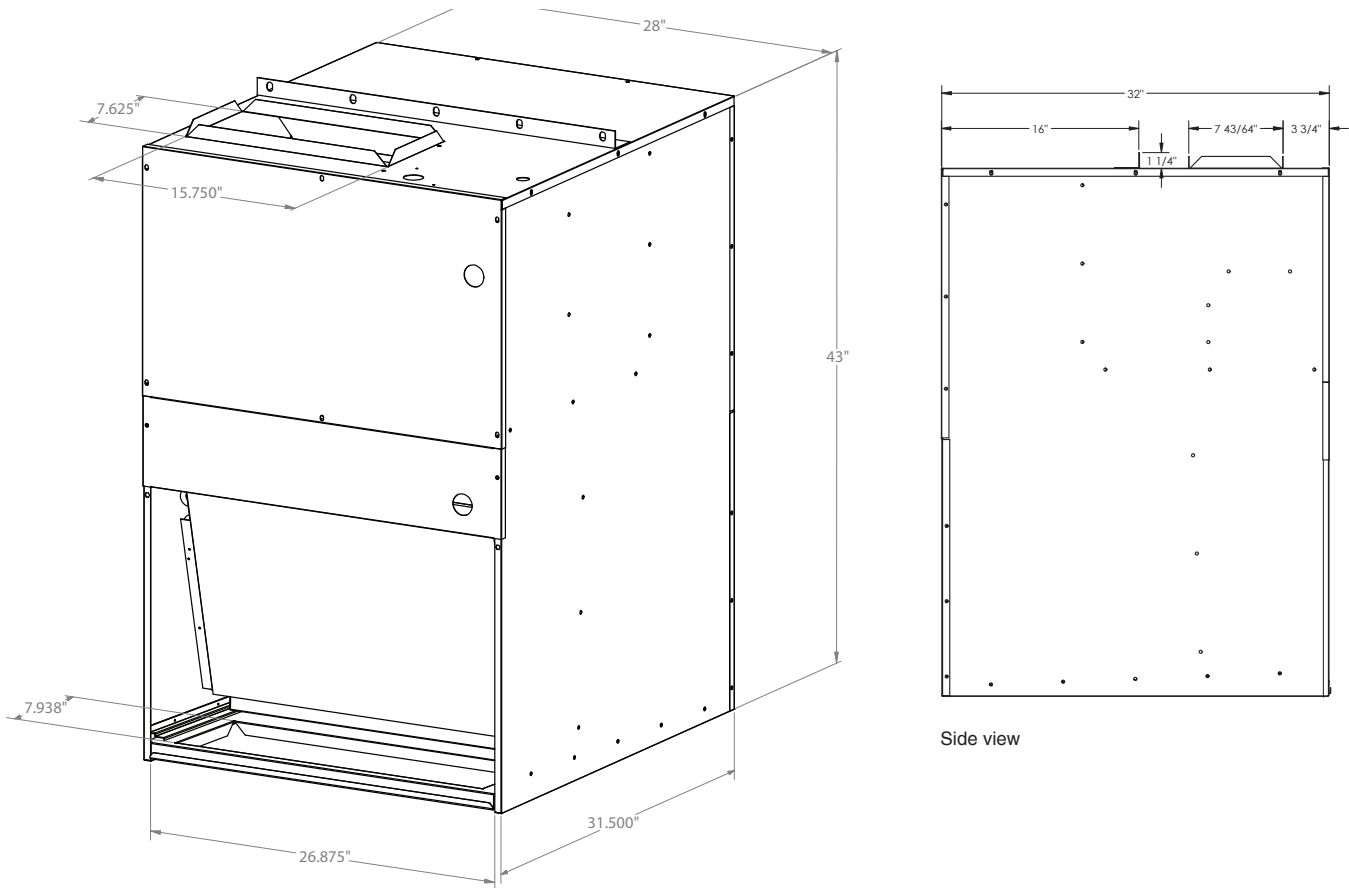
CPWS	Wall Sleeve (Unassembled)
CPWSA	Wall Sleeve Adapter (Unassembled)
CPLG	Architectural Louver Grille
CPLG-S	Architectural Louver Grille for Sleeve
CPLG-P	Architectural Louver Grille Painted
CPLG-SP	Architectural Louver Grille for Sleeve Painted
CPSG-P	Stamped Grille Painted
A	Standard
B	Slotted Door
C	with out Rear Grille
D	Both B & C

NOTE: National Comfort Products offers Architectural Louver Grilles for all models. Outdoor grilles provided by others must be approved by National Comfort Products to maintain unit performance and warranty coverage. See Comfort Pack Architectural Options Specification Sheet for more details.

## Comfort Pack Advantages

- 2 Stage Electric Heat with Triac Control Board
- Electric Code Compliant
- Universal Cooling Chassis, Slides Out for Ease of Service
- Easy Access Refrigeration Service Ports Utilizing Low Loss Coremax Technology
- Polarized Molex Plugs Allowing for Simple Disconnect from Cabinet
- Secondary Drain Provides Built In Condensate Overflow Protection

## Unit Dimensions



NOTE: Unit must be mounted a minimum of 8 inches above finished floor.  
See installation guide for vent termination clearances



**National Comfort Products**  
A Division of National Refrigeration and Air Conditioning Products, Inc.  
539 Dunksferry Road • Bensalem, PA 19020-5908  
(800) 523-7138 • Fax (215) 639-1674  
[www.NationalComfortProducts.com](http://www.NationalComfortProducts.com)



All specifications are subject to change without notice.

Spec Comfort Pack with Electric Heat Option 04/2023