

12 SEER

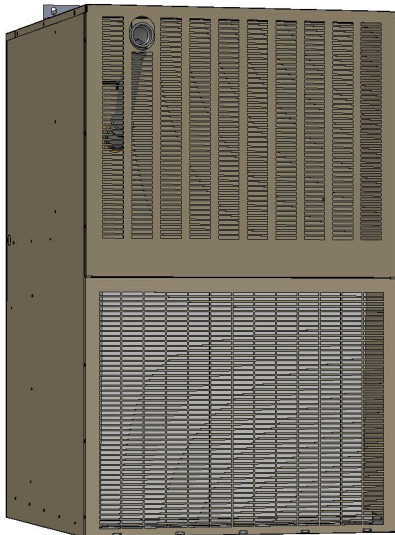
GAS HEAT up to 95% AFUE



**NATIONAL
COMFORT
PRODUCTS**

HEATING & A/C EQUIPMENT

Thru-the-Wall Comfort for all types of Multi-Family Construction



Comfort Pack Gas Condensing Furnace
Shown with Factory Installed,
Pre-Painted Stamped Exterior Grille

Features

- Adjustable 5 Speed DC Indoor Motor
- Self-Contained Heating and Cooling Unit
- Precharged and Prewired
- Ships with standard Pre-Painted Stamped Exterior Grille (Pictured to left)
- 16" x 25" Filter Included

Cooling System

- Slide-Out Universal Cooling Chassis provided with polarized molex plug connections
- Easy Access Coremax Service Ports
- R-410A High Efficiency Compressor
- 1, 1.5, and 2 Ton Cooling Capacities
- TXV installed in all models for optimum performance
- Standard Secondary Drain Connection

Heating

- Up to 95% Gas Efficiency
- Slide Out Furnace with 409 Stainless Steel Heat Exchanger
- Up to 47,500 BTUH Heating Capacity Output
- Diagnostic LEDs and flame visible through sight glass on Furnace Door
- Built In Freeze Protection

Go Thru-the-Wall

**NATIONAL
COMFORT
PRODUCTS**

HEATING & A/C EQUIPMENT

National Comfort Products

A Division of National Refrigeration and Air Conditioning Products, Inc.

539 Dunksferry Road • Bensalem, PA 19020-5908

(800) 523-7138 • Fax (215) 639-1674

www.nationalcomfortproducts.com

Comfort Pack Gas Condensing Furnace

Performance Data | 12 SEER up to 95% AFUE

Model	Nominal Cooling Tons	Cooling Btu	Heating Btu Input	Heating Btu Output	AFUE	Shipping Weight
CPG41125-U	1	12,000	25,000	23,750	95	315 lbs.
CPG41132-U	1	12,000	32,000	30,400	95	315 lbs.
CPG41725-U	1.5	17,500	25,000	23,750	95	315 lbs.
CPG41732-U	1.5	17,500	32,000	30,400	95	315 lbs.
CPG41743-U	1.5	17,500	43,000	40,850	95	315 lbs.
CPG41750-U	1.5	17,500	50,000	46,500	93	315 lbs.
CPG42325-U	2	22,000	25,000	23,750	95	315 lbs.
CPG42332-U	2	22,000	32,000	30,400	95	315 lbs.
CPG42343-U	2	22,000	43,000	40,850	95	315 lbs.
CPG42350-U	2	22,000	50,000	46,500	93	315 lbs.

Electrical Data

Model	Voltage	Compressor		Outdoor Fan Motor			Indoor Blower Motor		Total Amps	Minimum Circuit Amps	Maximum Overcurrent Protector
		RLA	LRA	HP	FLA	LRA	HP	FLA			
CPG41125-U***	208-230/60/1	4.7	29.5	1/4	2.4	–	1/3	3.0	10.1	11.3	15
CPG41132-U***	208-230/60/1	4.7	29.5	1/4	2.4	–	1/3	3.0	10.1	11.3	15
CPG41725-U***	208-230/60/1	6.5	37.5	1/4	1.8	3.6	1/3	3.0	11.3	13.0	15
CPG41732-U***	208-230/60/1	6.5	37.5	1/4	1.8	3.6	1/3	3.0	11.3	13.0	15
CPG41743-U***	208-230/60/1	6.5	37.5	1/4	1.8	3.6	1/3	3.0	11.3	13.0	15
CPG41750-U***	208-230/60/1	6.5	37.5	1/4	1.8	3.6	1/3	3.0	11.3	13.0	15
CPG42325-U***	208-230/60/1	8.4	37	1/4	2.4	–	1/2	3.9	14.7	16.8	25
CPG42332-U***	208-230/60/1	8.4	37	1/4	2.4	–	1/2	3.9	14.7	16.8	25
CPG42343-U***	208-230/60/1	8.4	37	1/4	2.4	–	1/2	3.9	14.7	16.8	25
CPG42350-U***	208-230/60/1	8.4	37	1/4	2.4	–	1/2	3.9	14.7	16.8	25

Air Flow Data

Model	Color	Speed Tap	ESP (in. wc) / CFM			
			0.1	0.2	0.3	0.4
CPG411	Red	1	800	764	730	686
	Yellow	2	710	668	630	575
	Blue	3	585	533	485	419
	Black	4	525	468	415	345
	Orange	5	400	325	250	175
CPG417	Red	1	800	764	730	686
	Yellow	2	710	668	630	575
	Blue	3	585	533	485	419
	Black	4	525	468	415	345
	Orange	5	400	325	250	175
CPG423	Red	1	820	808	795	783
	Yellow	2	725	712	700	685
	Blue	3	610	593	575	561
	Black	4	530	510	490	473
	Orange	5	395	372	350	326

All units are set from factory based on a .1 static.
 Setpoint may be different for heating and cooling.
 All specifications are subject to change without notice.

Comfort Pack Gas Condensing Furnace

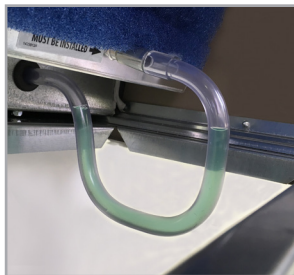
Optional Accessories	
CPWS	Wall Sleeve (Unassembled)
CPWSA	Wall Sleeve Adapter (Unassembled)
CPLGX-S	Architectural Louver Grille for Sleeve
CPLGX-SP	Architectural Louver Grille for Sleeve Painted
CPSGX-P	Stamped Grille Painted
A	Omit Stamped Grilles
B	Slotted Filter Door
C	Combination of both A & B
14508008	25K LP Conversion Kit
	43K LP Conversion Kit* (35,000 input)
	50K LP Conversion Kit

NOTE: National Comfort Products offers Architectural Louver Grilles for all models. Outdoor grilles provided by others must be approved by National Comfort Products to maintain unit performance and warranty coverage. See *Comfort Pack Architectural Options Specification Sheet* for more details.

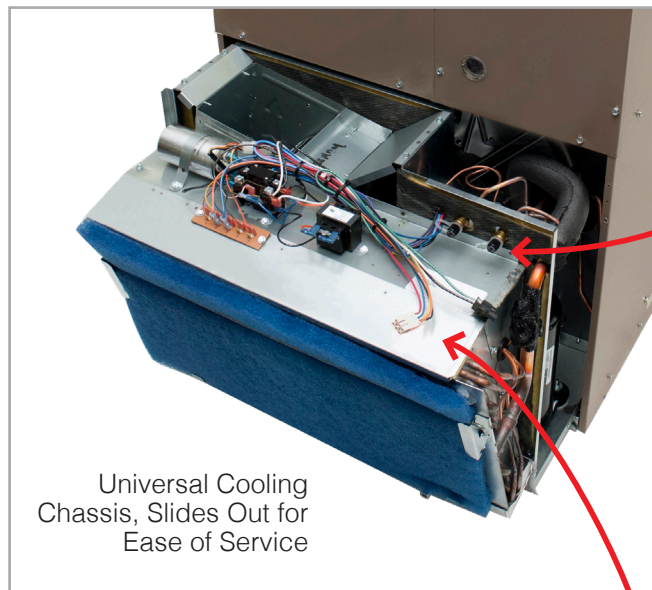
Comfort Pack Advantages



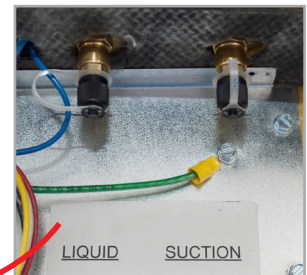
Efficient Slide-Out Furnace with Stainless Steel Heat Exchanger



Auxiliary Drain Provides Built In Condensate Overflow Protection



Universal Cooling Chassis, Slides Out for Ease of Service



Easy Access Refrigeration Service Ports Utilizing Low Loss Coremax Technology

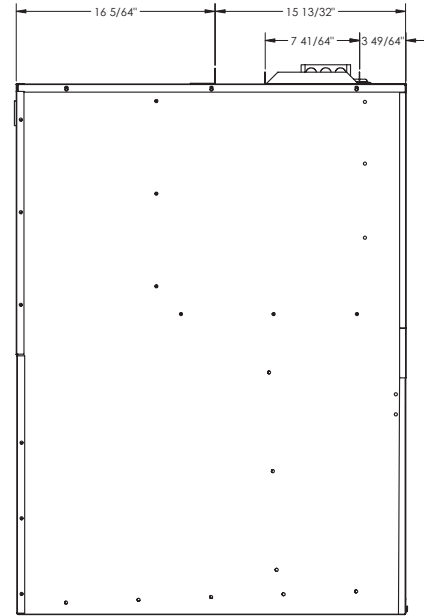
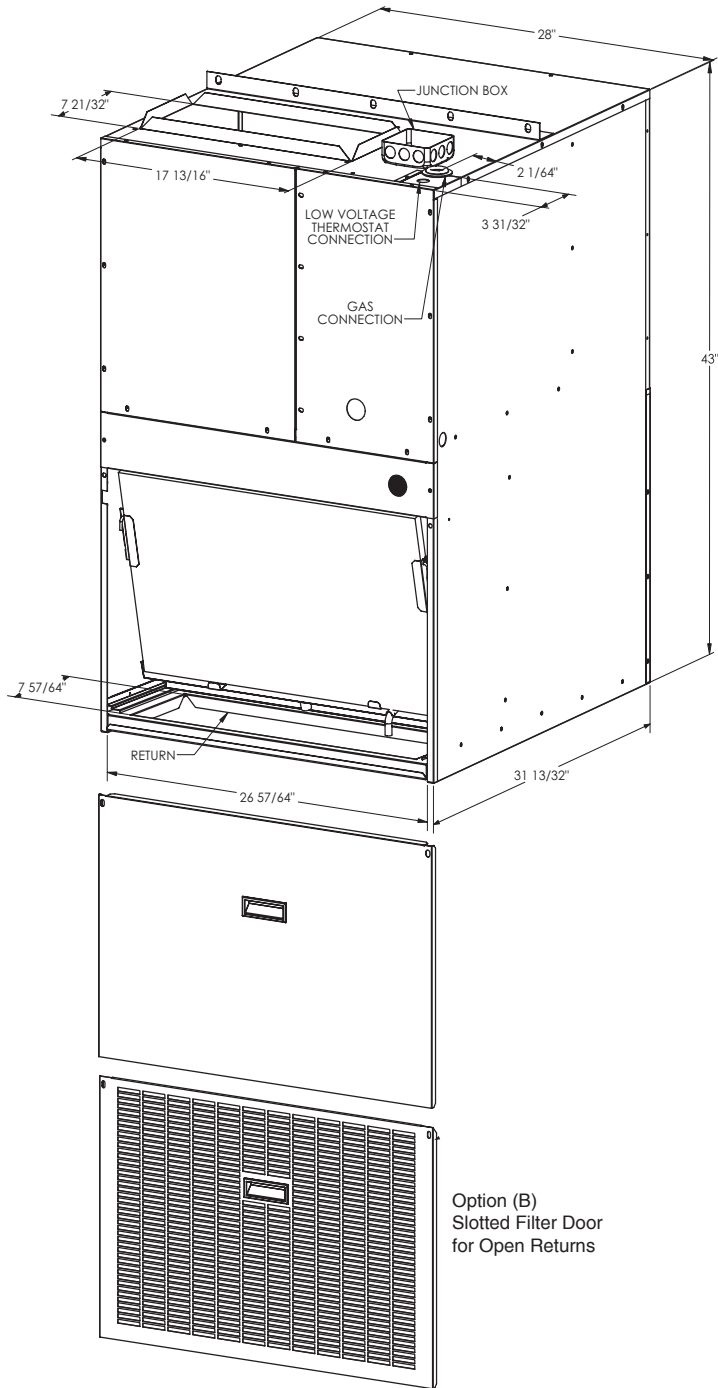


Polarized Molex Plugs Allowing for Simple Disconnect from Cabinet

Comfort Pack Gas Condensing Furnace

NOTE: Unit must be mounted a minimum of 8 inches above finished floor.

Please see page 12 of the CPG-U Condensing Furnace Installation Guide for Vent Termination Clearances



Side view

Option (B)
Slotted Filter Door
for Open Returns

5 YEAR WARRANTY ON PARTS
5 YEAR WARRANTY COMPRESSOR
10 YEAR WARRANTY HEAT EXCHANGER



All specifications are subject to change without notice.



National Comfort Products
A Division of National Refrigeration and Air Conditioning Products, Inc.
539 Dunksferry Road • Bensalem, PA 19020-5908
(800) 523-7138 • Fax (215) 639-1674
www.NationalComfortProducts.com