

12 SEER

GAS HEAT | 80% AFUE

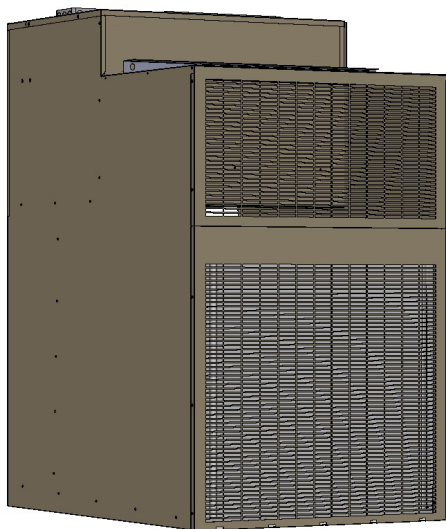


NATIONAL COMFORT PRODUCTS

HEATING & A/C EQUIPMENT

Thru-the-Wall Comfort for all types of Multi-Family Construction

NEW!



Shown with Factory Installed, Pre-Painted Stamped Exterior Grille

Comfort Pack 2.5 Ton with Gas Heat (Non-Condensing Furnace) T-Series

Features

- Fits existing Comfort Pack Wall Sleeve
- Adjustable 5 Speed DC Indoor Motor
- Self-Contained Heating and Cooling Unit
- Precharged and Prewired
- Ships with standard Pre-Painted Stamped Exterior Grille

Cooling System

- Slide-Out T-Series Cooling Chassis provided with polarized molex plug connections
(The T-Series chassis will only fit T-Series model cabinets)
- Easy Access Coremax Service Ports
- R-410A High Efficiency Compressor
- 2.5 Ton Cooling Capacity
- TXV installed for optimum performance
- Standard Secondary Drain Connection

Heating

- 80% AFUE Slide-Out Furnace with 409 Stainless Steel Heat Exchanger
- Up to 51,200 BTUH Heating Capacity Output
- Diagnostic LEDs and flame visible through sight glass on Furnace Door
- Sealed Combustion Chamber

Performance Data | 12 SEER – 80% AFUE

Models	Nominal Cooling Tons	Cooling BTU	Heating BTU Input	Heating BTU Output
CPG42951-T	2.5	27,000	51,000	40,800
CPG42964-T	2.5	27,000	64,000	51,200

Go Thru-the-Wall



HEATING & A/C EQUIPMENT

National Comfort Products

A Division of National Refrigeration and Air Conditioning Products, Inc.

539 Dunksferry Road • Bensalem, PA 19020-5908
(800) 523-7138 • Fax (215) 639-1674

www.nationalcomfortproducts.com

Comfort Pack 2.5 Ton with Gas Heat (Non-Condensing Furnace) T-Series

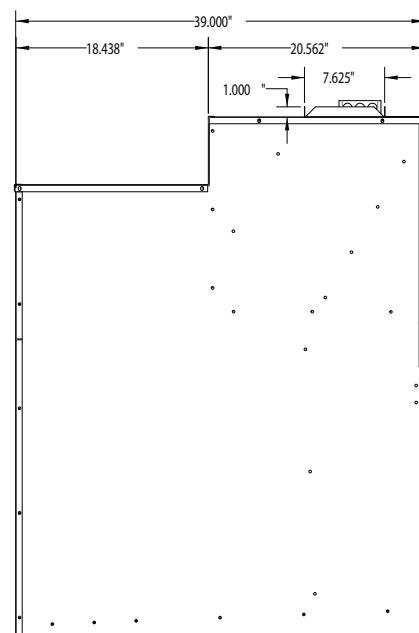
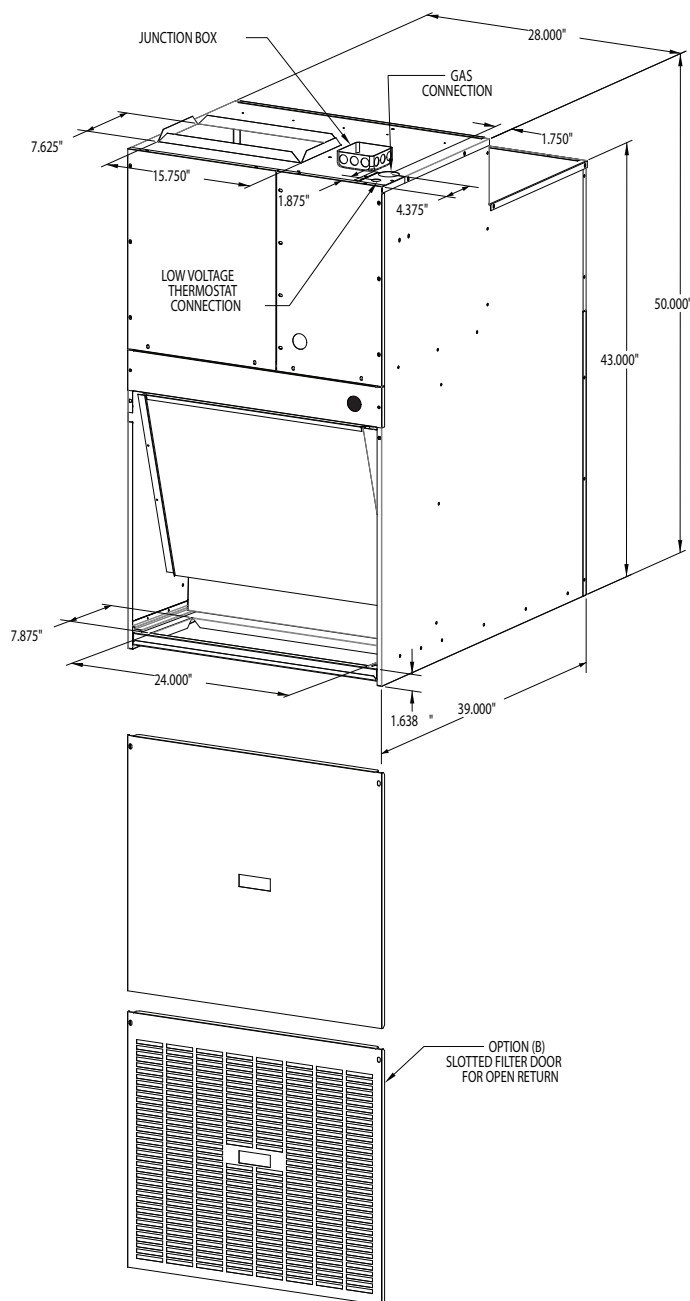
Electrical Data											
Models	Voltage	Compressor		Outdoor Fan Motor			Indoor Blower Motor		Total Amps	Minimum Circuit Amps	Maximum Overcurrent Protector
		RLA	LRA	HP	FLA	LRA	HP	FLA			
CPG42951-T	208-230/60/1	13.5	72.5	1/4	2.4	-	1/2	3.9	19.8	23.2	35
CPG42964-T	208-230/60/1	13.5	72.5	1/4	2.4	-	1/2	3.9	19.8	23.2	35

Air Flow Data						
Models	Speed Tap	ESP (in. wc) / CFM				
		0.1	0.2	0.3	0.4	0.5
CPG42951-T	1	930	900	880	860	840
	2	800	775	750	725	705
	3	690	665	635	615	585
	4	605	575	540	515	485
	5	435	400	365	-	-
CPG42964-T	1	930	900	880	860	840
	2	800	775	750	725	705
	3	690	665	635	615	585
	4	605	575	540	515	485
	5	435	400	365	-	-

NOTE: All units are set from factory based on a .1 static. Setpoint may be different for heating and cooling.
 All specifications are subject to change without notice.

Comfort Pack 2.5 Ton with Gas Heat (Non-Condensing Furnace) T-Series

Optional Accessories	
CPWS	Wall Sleeve (Unassembled)
CPWSA	Wall Sleeve Adapter (Unassembled)
CPSGT-P	Comfort Pack T-Series Stamped Grille Painted
CPLGT	Comfort Pack T-Series Architectural Louver Grille
CPLGT-S	Comfort Pack T-Series Architectural Louver Grille for Sleeve (Attaches to Wall Sleeve Only)
CPLGT-P	Comfort Pack T-Series Architectural Louver Grille Painted (Attaches to Units Only)
CPLGT-SP	Comfort Pack T-Series Architectural Louver Grille Sleeve Painted (Attaches to Wall Sleeve Only)
A	Omit Stamped Grilles
B	Slotted Filter Door
C	Combination of both A & B



Side view

NOTE: Unit must be mounted a minimum of 8 inches above finished floor.

5 YEAR WARRANTY ON PARTS **5 YEAR WARRANTY** COMPRESSOR **10 YEAR WARRANTY** HEAT EXCHANGER



All specifications are subject to change without notice.



National Comfort Products
A Division of National Refrigeration and Air Conditioning Products, Inc.
 539 Dunksferry Road • Bensalem, PA 19020-5908
(800) 523-7138 • Fax (215) 639-1674
www.NationalComfortProducts.com

Spec-CP 2.5 ton w Gas Heat T Series 8/2021