



**COMFORT PACK U SERIES**  
with **ELECTRIC HEAT OPTION**

*Go Thru-the-Wall*



## Multi-Family Thru-the-Wall Heating & Cooling

### Features

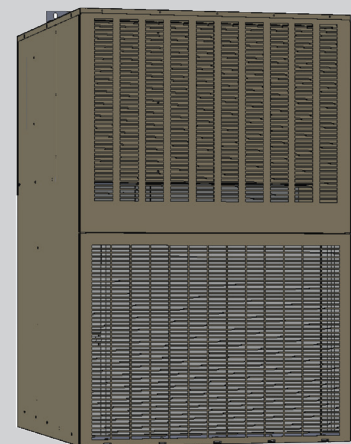
- Adjustable 5 Speed DC Indoor Motor
- Self-Contained Heating and Cooling Unit
- Precharged and Prewired
- Ships with standard Pre-Painted Stamped Exterior Grille (Pictured right)
- 16" x 25" Filter Included

### Cooling System

- Slide-Out Universal Cooling Chassis provided with polarized molex plug connections
- Easy Access Coremax Service Ports
- R-410A High Efficiency Compressor
- 0.75, 1, 1.5 and 2 Ton Cooling Capacities
- TXV installed in all models for optimum performance
- Standard Secondary Drain Connection

### Optional Heating

- Field installed heat kits up to 15KW Electric Resistance Heat
- 2 Stage Electric Heat Control Board
- Internal Automatic Reset Thermal Limits
- Breaker Protection



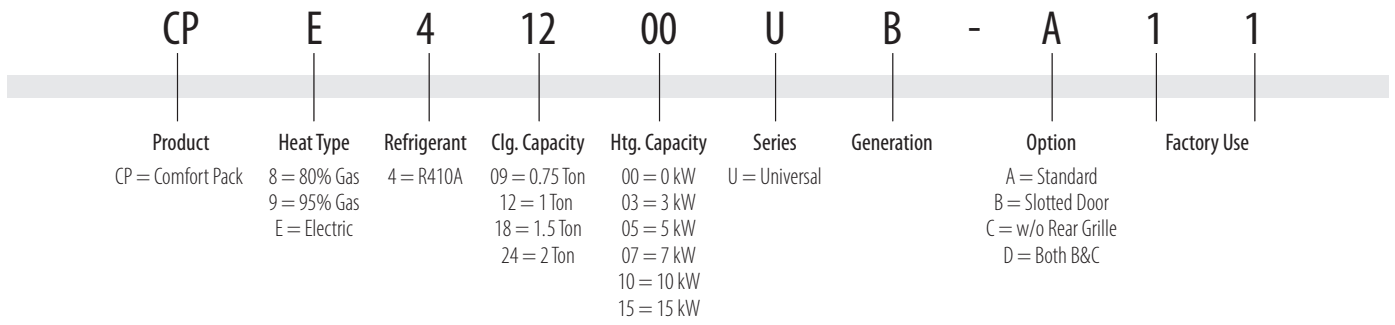
### Comfort Pack

Shown with Factory Installed,  
Pre-Painted Stamped Exterior Grille



**National Comfort Products**  
A Division of National Refrigeration and Air Conditioning Products, Inc.  
539 Dunksferry Road • Bensalem, PA 19020-5908  
(800) 523-7138  
[www.nationalcomfortproducts.com](http://www.nationalcomfortproducts.com)

# Nomenclature 2024



## Comfort Pack Advantages

- 2 Stage Electric Heat with Triac Control Board
- Electric Code Compliant
- Universal Cooling Chassis, Slides Out for Ease of Service
- Easy Access Refrigeration Service Ports Utilizing Low Loss Coremax Technology
- Polarized Molex Plugs Allowing for Simple Disconnect from Cabinet
- Secondary Drain Provides Built In Condensate Overflow Protection

## Performance Data

11.7 SEER2												
Model	Nominal Cooling Tons	Cooling Btu/h	Sensible Btu/h	Charge R-410A (oz)	Heat Kit	Heating Btu/h		Heating kW		Heating Amps		Shipping Weight (lbs.)
						208V	230V	208V	230V	208V	230V	
CPE40900UB	0.75	9,600	7,000	28	N/A	N/A	N/A	N/A	N/A	N/A	N/A	315
	0.75	9,600	7,000	28	CPEHK03	8,900	10,900	2.61	3.19	12.54	13.89	315
	0.75	9,600	7,000	28	CPEHK05	13,100	16,000	3.84	4.69	18.45	20.38	315
	0.75	9,600	7,000	28	CPEHK07	18,300	22,400	5.36	6.56	25.78	28.54	315
	0.75	9,600	7,000	28	CPEHK10	26,000	32,000	7.62	9.38	36.63	40.77	315
CPE41200UB	1.0	12,000	8,600	30	N/A	N/A	N/A	N/A	N/A	N/A	N/A	315
	1.0	12,000	8,600	30	CPEHK03	8,900	10,900	2.61	3.19	12.54	13.89	315
	1.0	12,000	8,600	30	CPEHK05	13,100	16,000	3.84	4.69	18.45	20.38	315
	1.0	12,000	8,600	30	CPEHK07	18,300	22,400	5.36	6.56	25.78	28.54	315
	1.0	12,000	8,600	30	CPEHK10	26,000	32,000	7.62	9.38	36.63	40.77	315
CPE41800UB	1.5	17,300	12,500	43	N/A	N/A	N/A	N/A	N/A	N/A	N/A	325
	1.5	17,300	12,500	43	CPEHK03	8,900	10,900	2.61	3.19	12.54	13.89	325
	1.5	17,300	12,500	43	CPEHK05	13,100	16,000	3.84	4.69	18.45	20.38	325
	1.5	17,300	12,500	43	CPEHK07	18,300	22,400	5.36	6.56	25.78	28.54	325
	1.5	17,300	12,500	43	CPEHK10	26,000	32,000	7.62	9.38	36.63	40.77	325
	1.5	17,300	12,500	43	CPEHK15	39,000	48,000	11.43	14.06	54.94	61.15	325
CPE42400UB	2.0	21,600	15,600	43	N/A	N/A	N/A	N/A	N/A	N/A	N/A	350
	2.0	21,600	15,600	43	CPEHK03	8,900	10,900	2.61	3.19	12.54	13.89	350
	2.0	21,600	15,600	43	CPEHK05	13,100	16,000	3.84	4.69	18.45	20.38	350
	2.0	21,600	15,600	43	CPEHK07	18,300	22,400	5.36	6.56	25.78	28.54	350
	2.0	21,600	15,600	43	CPEHK10	26,000	32,000	7.62	9.38	36.63	40.77	350
	2.0	21,600	15,600	43	CPEHK15	39,000	48,000	11.43	14.06	54.94	61.15	350

## Electrical Data

Model	Heat Kit	Voltage	Compressor		Condenser Motor			Blower		Total Amps		MCA		MOP	
			RLA	LRA	HP	RLA	LRA	HP	RLA	208V	230V	208V	230V	208V	230V
CPE40900UB	N/A	208/230-1-60	3.9	21.0	1/4	2.4	--	1/3	2.6	8.9	8.9	9.9	9.9	15	15
	CPEHK03	208/230-1-60	3.9	21.0	1/4	2.4	--	1/3	2.6	15.1	16.5	19.0	20.6	20	25
	CPEHK05	208/230-1-60	3.9	21.0	1/4	2.4	--	1/3	2.6	21.1	23.0	26.3	28.7	30	30
	CPEHK07	208/230-1-60	3.9	21.0	1/4	2.4	--	1/3	2.6	28.4	31.1	35.5	39.0	40	40
	CPEHK10	208/230-1-60	3.9	21.0	1/4	2.4	--	1/3	2.6	39.2	43.4	49.2	54.1	50	60
CPE41200UB	N/A	208/230-1-60	4.7	29.5	1/4	2.4	--	1/3	2.6	9.7	9.7	10.9	10.9	15	15
	CPEHK03	208/230-1-60	4.7	29.5	1/4	2.4	--	1/3	2.6	15.1	16.5	19.0	20.6	20	25
	CPEHK05	208/230-1-60	4.7	29.5	1/4	2.4	--	1/3	2.6	21.1	23.0	26.3	28.7	30	30
	CPEHK07	208/230-1-60	4.7	29.5	1/4	2.4	--	1/3	2.6	28.4	31.1	35.5	39.0	40	40
	CPEHK10	208/230-1-60	4.7	29.5	1/4	2.4	--	1/3	2.6	39.2	43.4	49.2	54.1	50	60
CPE41800UB	N/A	208/230-1-60	6.5	37.5	1/4	1.83	3.6	1/3	2.6	10.9	10.9	12.6	12.6	15	15
	CPEHK03	208/230-1-60	6.5	37.5	1/4	1.83	3.6	1/3	2.6	15.1	16.5	19.0	20.6	20	25
	CPEHK05	208/230-1-60	6.5	37.5	1/4	1.83	3.6	1/3	2.6	21.1	23.0	26.3	28.7	30	30
	CPEHK07	208/230-1-60	6.5	37.5	1/4	1.83	3.6	1/3	2.6	28.4	31.1	35.5	39.0	40	40
	CPEHK10	208/230-1-60	6.5	37.5	1/4	1.83	3.6	1/3	2.6	39.2	43.4	49.2	54.1	50	60
	CPEHK15	208/230-1-60	6.5	37.5	1/4	1.83	3.6	1/3	2.6	57.5	63.7	48.1	53.0	50	60
CPE42400UB	N/A	208/230-1-60	8.4	37.0	1/4	2.4	--	1/2	3.8	14.6	14.6	16.7	16.7	15	15
	CPEHK03	208/230-1-60	8.4	37.0	1/4	2.4	--	1/2	3.8	22.3	24.2	20.5	22.1	25	25
	CPEHK05	208/230-1-60	8.4	37.0	1/4	2.4	--	1/2	3.8	29.6	32.3	27.8	30.2	30	35
	CPEHK07	208/230-1-60	8.4	37.0	1/4	2.4	--	1/2	3.8	40.4	44.6	37.0	40.5	40	45
	CPEHK10	208/230-1-60	8.4	37.0	1/4	2.4	--	1/2	3.8	58.7	64.9	50.7	55.6	60	60
	CPEHK15	208/230-1-60	8.4	37.0	1/4	2.4	--	1/2	3.8	58.7	64.9	49.1	54.0	50	60
											24.6	27.0	25	30	

## Air Flow Data

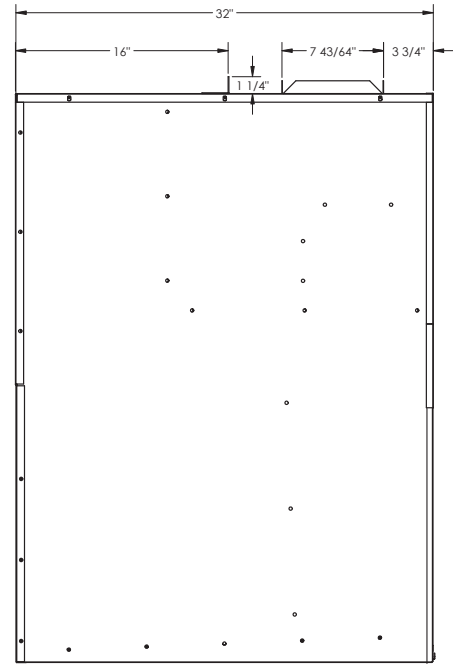
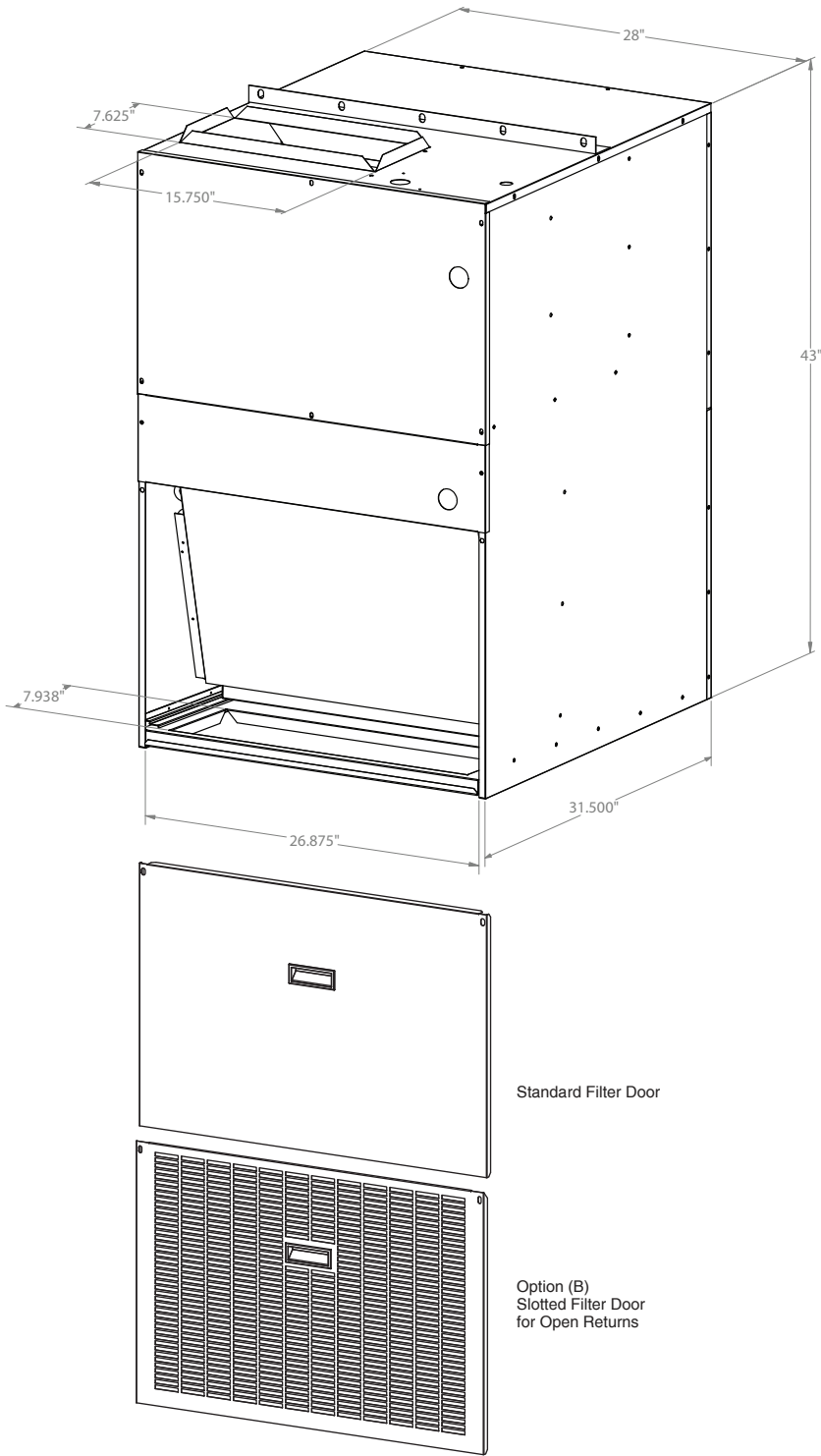
Models	Color	Speed Tap	ESP (in. wc) / CFM				
			0.1	0.2	0.3	0.4	0.5
CPE40900UB	Red	1	760	745	730	715	700
	Yellow	2	650	640	630	615	600
	Blue	3	560	535	520	510	500
	Black	4	440	425	410	390	370
	Orange	5	390	360	330	310	290
CPE41200UB	Red	1	760	745	730	715	700
	Yellow	2	650	640	630	615	600
	Blue	3	560	535	520	510	500
	Black	4	440	425	410	390	370
	Orange	5	390	360	330	310	290
CPE41800UB	Red	1	760	745	730	715	700
	Yellow	2	650	640	630	615	600
	Blue	3	560	535	520	510	500
	Black	4	440	425	410	390	370
	Orange	5	390	360	330	310	290
CPE42400UB	Red	1	870	850	830	810	790
	Yellow	2	760	745	730	715	690
	Blue	3	680	665	650	630	610
	Black	4	590	565	540	525	510
	Orange	5	440	425	410	400	390

## Other Options

CPWS	Wall Sleeve (Unassembled)
CPWSA	Wall Sleeve Adapter (Unassembled)
CPLG	Architectural Louver Grille
CPLG-S	Architectural Louver Grille for Sleeve
CPLG-P	Architectural Louver Grille Painted
CPLG-SP	Architectural Louver Grille for Sleeve Painted
CPSG-P	Stamped Grille Painted
A	Standard
B	Slotted Door
C	with out Rear Grille
D	Both B & C

NOTE: National Comfort Products offers Architectural Louver Grilles for all models. Outdoor grilles provided by others must be approved by National Comfort Products to maintain unit performance and warranty coverage. See Comfort Pack Architectural Options Specification Sheet for more details.

# Unit Dimensions



Side view

NOTE: Unit must be mounted a minimum of 8 inches above finished floor.



**National Comfort Products**  
 A Division of National Refrigeration and Air Conditioning Products, Inc.  
 539 Dunksferry Road • Bensalem, PA 19020-5908  
 (800) 523-7138  
[www.nationalcomfortproducts.com](http://www.nationalcomfortproducts.com)



All specifications are subject to change without notice.

Spec Comfort Pack with Electric Heat Option 2024