



COMFORT PACK T SERIES
with **ELECTRIC HEAT OPTION**

Go Thru-the-Wall



Multi-Family Thru-the-Wall Heating & Cooling

Features

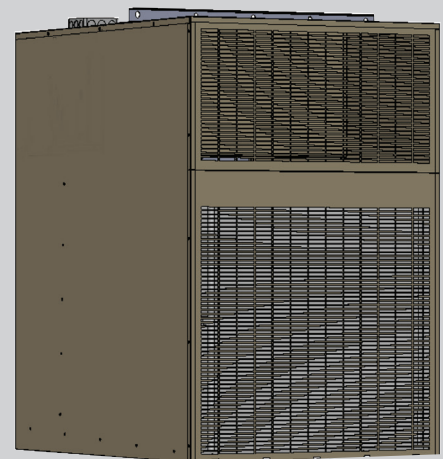
- Fits existing Comfort Pack Wall Sleeve
- Adjustable 5 Speed DC Indoor Motor
- Self Contained Heating and Cooling Units
- Precharged and Prewired
- Ships with standard Pre-Painted Stamped Exterior Grille (Pictured right)
- 20" x 25" Filter Included

Cooling System

- Slide-Out T-Series Cooling Chassis provided with polarized molex plug connections
(The T-Series chassis will only fit T-Series model cabinets)
- Easy Access Coremax Service Ports
- R-410A High Efficiency Compressor
- 2.5 Ton Cooling Capacity
- TXV installed for optimum performance
- Standard Secondary Drain Connection

Optional Heating

- Field installed heat kits up to 15KW Electric Resistance Heat
- 2 Stage Electric Heat Control Board
- Internal Automatic Reset Thermal Limits
- Breaker Protection



Comfort Pack

Shown with Factory Installed,
Pre-Painted Stamped Exterior Grille



HEATING & A/C EQUIPMENT

National Comfort Products

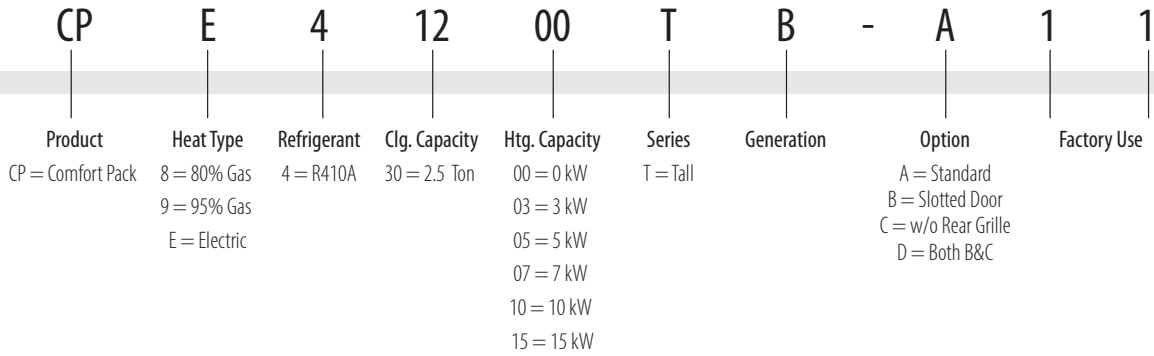
A Division of National Refrigeration and Air Conditioning Products, Inc.

539 Dunksferry Road • Bensalem, PA 19020-5908

(800) 523-7138

www.nationalcomfortproducts.com

Nomenclature 2024



Performance Data

11.7 SEER2												
Model	Nominal Cooling Tons	Cooling Btu/h	Sensible Btu/h	Charge R-410A (oz)	Heat Kit	Heating Btu/h		Heating kW		Heating Amps		Shipping Weight (lbs.)
						208V	230V	208V	230V	208V	230V	
CPE43000TB	2.5	27,000	19,600	51	N/A	N/A	N/A	N/A	N/A	N/A	N/A	365
	2.5	27,000	19,600	51	CPEHK03	8,900	10,900	2.61	3.19	12.54	13.89	365
	2.5	27,000	19,600	51	CPEHK05	13,100	16,000	3.84	4.69	18.45	20.38	365
	2.5	27,000	19,600	51	CPEHK07	18,300	22,400	5.36	6.56	25.78	28.54	365
	2.5	27,000	19,600	51	CPEHK10	26,000	32,000	7.62	9.38	36.63	40.77	365
	2.5	27,000	19,600	51	CPEHK15	39,000	48,000	11.43	14.06	54.94	61.15	365
	2.5	27,000	19,600	51	CPEHK15	39,000	48,000	11.43	14.06	54.94	61.15	365

Electrical Data

Model	Heat Kit	Voltage	Compressor		Condenser Motor			Blower		Total Amps		MCA		MOP	
			RLA	LRA	HP	RLA	LRA	HP	RLA	208V	230V	208V	230V	208V	230V
CPE43000TB	N/A	208/230-1-60	14.1	67.9	1/4	2.4	--	1/2	3.8	20.3	20.3	23.8	23.8	35	35
	CPEHK03	208/230-1-60	14.1	67.9	1/4	2.4	--	1/2	3.8	20.3	20.3	23.8	23.8	35	35
	CPEHK05	208/230-1-60	14.1	67.9	1/4	2.4	--	1/2	3.8	22.3	24.2	27.8	30.2	35	35
	CPEHK07	208/230-1-60	14.1	67.9	1/4	2.4	--	1/2	3.8	29.6	32.3	37.1	40.5	40	45
	CPEHK10	208/230-1-60	14.1	67.9	1/4	2.4	--	1/2	3.8	40.4	44.6	50.7	55.6	60	60
	CPEHK15	208/230-1-60	14.1	67.9	1/4	2.4	--	1/2	3.8	58.7	64.9	49.1	54.0	50	60
												24.5	26.9	25	30

Air Flow Data

Models	Color	Speed Tap	ESP (in. wc) / CFM				
			0.1	0.2	0.3	0.4	0.5
CPE43000TB	Red	1	1000	975	950	930	910
	Yellow	2	840	830	800	775	750
	Blue	3	760	730	710	690	660
	Black	4	635	610	580	560	530
	Orange	5	520	430	375	310	-

NOTE: All units are set from factory based on an ESP of 0.3 in. wc. Setpoint may be different for heating and cooling.
All specifications are subject to change without notice.

Other Options

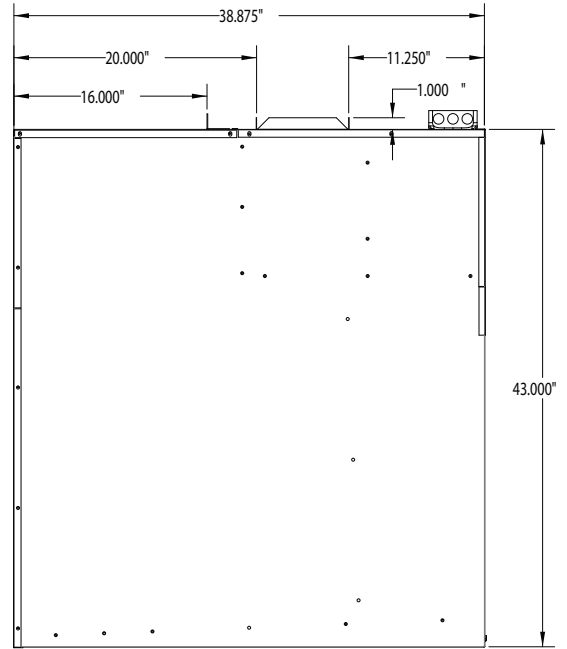
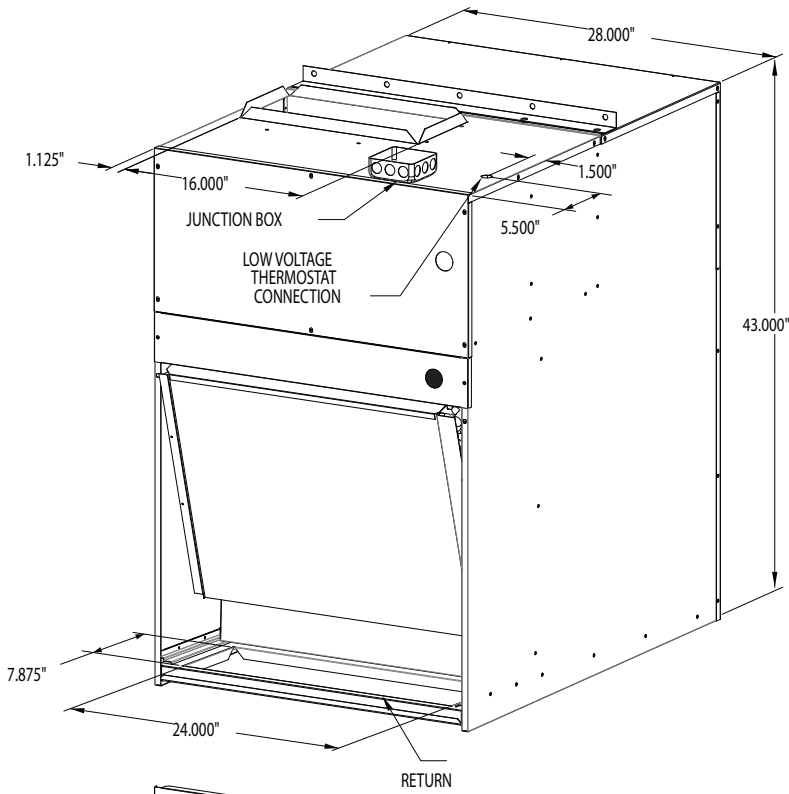
CPWS	Wall Sleeve (Unassembled)
CPWSA	Wall Sleeve Adapter (Unassembled)
CPSGT-P	T-Series Stamped Grille Painted
CPLGT	T-Series Architectural Louver Grille
CPLGT-S	T-Series Architectural Louver Grille for Sleeve (Attaches to Wall Sleeve Only)
CPLGT-P	T-Series Architectural Louver Grille Painted (Attaches to Units Only)
CPLGT-SP	T-Series Architectural Louver Grille Sleeve Painted (Attaches to Wall Sleeve Only)
A	Standard
B	Slotted Door
C	with out Rear Grille
D	Both B & C

NOTE: National Comfort Products offers Architectural Louver Grilles for all models. Outdoor grilles provided by others must be approved by National Comfort Products to maintain unit performance and warranty coverage. See Comfort Pack Architectural Options Specification Sheet for more details.

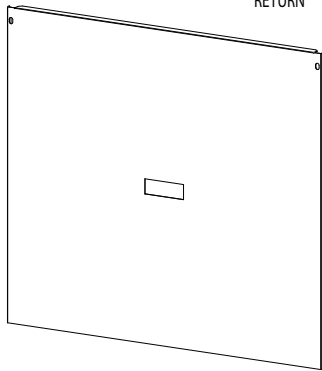
Comfort Pack Advantages

- 2 Stage Electric Heat with Triac Control Board
- Electric Code Compliant
- Universal Cooling Chassis, Slides Out for Ease of Service
- Easy Access Refrigeration Service Ports Utilizing Low Loss Coremax Technology
- Polarized Molex Plugs Allowing for Simple Disconnect from Cabinet
- Secondary Drain Provides Built In Condensate Overflow Protection

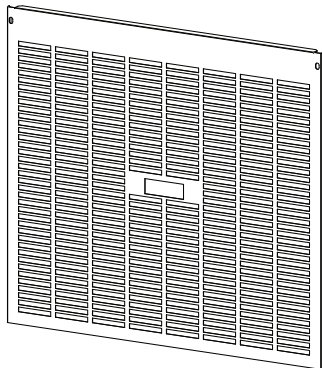
Unit Dimensions



Side View



Standard Filter Door



Option (B)
Slotted Filter Door
for Open Returns

NOTE: Unit must be mounted a minimum of 8 inches above finished floor.



National Comfort Products
A Division of National Refrigeration and Air Conditioning Products, Inc.
539 Dunksferry Road • Bensalem, PA 19020-5908
(800) 523-7138
www.nationalcomfortproducts.com



All specifications are subject to change without notice.

Spec Comfort Pack T-Series with Electric Heat 2024