



COMFORT PACK U SERIES
with up to 95% GAS HEAT

Go Thru-the-Wall



Multi-Family Thru-the-Wall Heating & Cooling

Features

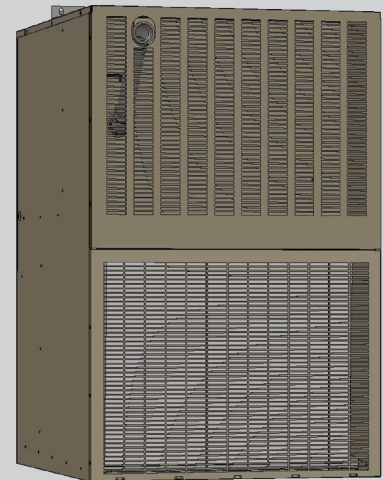
- Adjustable 5 Speed DC Indoor Motor
- Self-Contained Heating and Cooling Unit
- Precharged and Prewired
- Ships with standard Pre-Painted Stamped Exterior Grille (Pictured right)
- 16" x 25" Filter Included

Cooling System

- Slide-Out Universal Cooling Chassis provided with polarized molex plug connections
- Easy Access Coremax Service Ports
- R-410A High Efficiency Compressor
- 0.75, 1, 1.5 and 2 Ton Cooling Capacities
- TXV installed in all models for optimum performance
- Standard Secondary Drain Connection

Heating

- Up to 95% AFUE Gas Efficiency
- Slide-Out Furnace with 409 Stainless Steel Heat Exchanger
- Up to 46,500 BTUH Heating Capacity Output
- Diagnostic LEDs and flame visible through sight glass on Furnace Door



Comfort Pack

Shown with Factory Installed,
Pre-Painted Stamped Exterior Grille



**NATIONAL
COMFORT
PRODUCTS**

HEATING & A/C EQUIPMENT

National Comfort Products

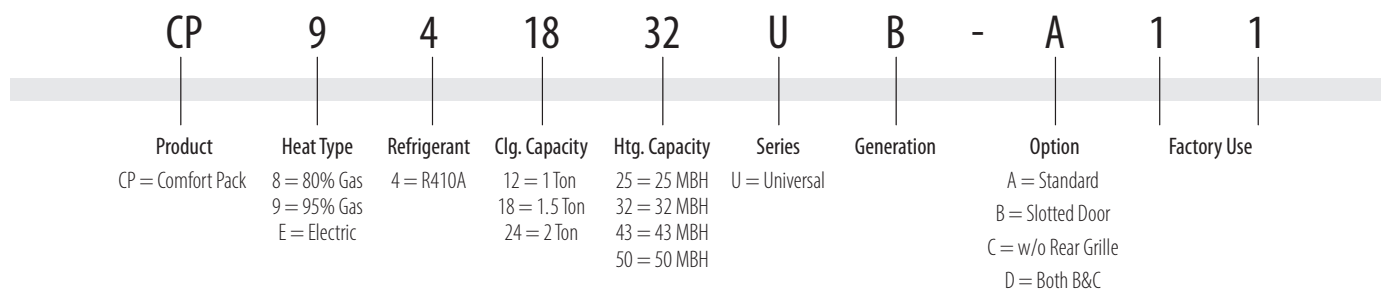
A Division of National Refrigeration and Air Conditioning Products, Inc.

539 Dunksferry Road • Bensalem, PA 19020-5908

(800) 523-7138

www.nationalcomfortproducts.com

Nomenclature 2024



Performance Data

11.7 SEER2 – up to 95% AFUE								
Model	Nominal Cooling Tons	Cooling Btu/h	Sensible Btu/h	Charge R-410A (oz)	AFUE	Heater Input (Btu/h)	Heater Output (Btu/h)	Shipping Weight (lbs.)
CP940925UB	0.75	9,600	7,000	28	95%	25,000	23,750	315
CP941225UB	1.0	12,000	8,700	30	95%	25,000	23,750	315
CP941232UB	1.0	12,000	8,700	30	95%	32,000	30,400	315
CP941825UB	1.5	17,300	13,000	43	95%	25,000	23,750	325
CP941832UB	1.5	17,300	13,000	43	95%	32,000	30,400	325
CP941843UB	1.5	17,300	13,000	43	95%	43,000	40,850	325
CP941850UB	1.5	17,300	13,000	43	93%	50,000	46,500	325
CP942425UB	2.0	21,600	15,600	43	95%	25,000	23,750	350
CP942432UB	2.0	21,600	15,600	43	95%	32,000	30,400	350
CP942443UB	2.0	21,600	15,600	43	95%	43,000	40,850	350
CP942450UB	2.0	21,600	15,600	43	93%	50,000	46,500	350

Electrical Data

Model	Voltage	Compressor		Condenser Motor			Blower		Total Amps	MCA	MOP
		RLA	LRA	HP	RLA	LRA	HP	RLA			
CP940925UB	208/230-1-60	3.9	21.0	1/4	2.4	--	1/3	2.6	8.9	9.9	15
CP941225UB	208/230-1-60	4.7	29.5	1/4	2.4	--	1/3	2.6	9.7	10.9	15
CP941232UB	208/230-1-60	4.7	29.5	1/4	2.4	--	1/3	2.6	9.7	10.9	15
CP941825UB	208/230-1-60	6.5	37.5	1/4	1.83	3.6	1/3	2.6	10.9	12.6	15
CP941832UB	208/230-1-60	6.5	37.5	1/4	1.83	3.6	1/3	2.6	10.9	12.6	15
CP941843UB	208/230-1-60	6.5	37.5	1/4	1.83	3.6	1/3	2.6	10.9	12.6	15
CP941850UB	208/230-1-60	6.5	37.5	1/4	1.83	3.6	1/3	2.6	10.9	12.6	15
CP942425UB	208/230-1-60	8.4	37.0	1/4	2.4	--	1/4	3.8	14.6	16.7	25
CP942432UB	208/230-1-60	8.4	37.0	1/4	2.4	--	1/4	3.8	14.6	16.7	25
CP942443UB	208/230-1-60	8.4	37.0	1/4	2.4	--	1/4	3.8	14.6	16.7	25
CP942450UB	208/230-1-60	8.4	37.0	1/4	2.4	--	1/4	3.8	14.6	16.7	25

Air Flow Data

Models	Color	Speed Tap	ESP (in. wc) / CFM				0.5
			0.1	0.2	0.3	0.4	
CP9409**UB	Red	1	760	745	730	715	700
	Yellow	2	650	640	630	615	600
	Blue	3	560	535	520	510	500
	Black	4	440	425	410	390	370
	Orange	5	390	360	330	310	290
CP9412**UB	Red	1	760	745	730	715	700
	Yellow	2	650	640	630	615	600
	Blue	3	560	535	520	510	500
	Black	4	440	425	410	390	370
	Orange	5	390	360	330	310	290
CP9418**UB	Red	1	760	745	730	715	700
	Yellow	2	650	640	630	615	600
	Blue	3	560	535	520	510	500
	Black	4	440	425	410	390	370
	Orange	5	390	360	330	310	290
CP9424**UB	Red	1	870	850	830	810	790
	Yellow	2	760	745	730	715	690
	Blue	3	680	665	650	630	610
	Black	4	590	565	540	525	510
	Orange	5	440	425	410	400	390

Other Options

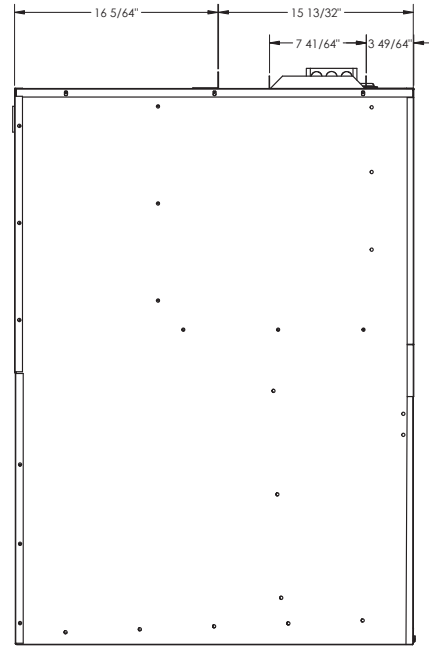
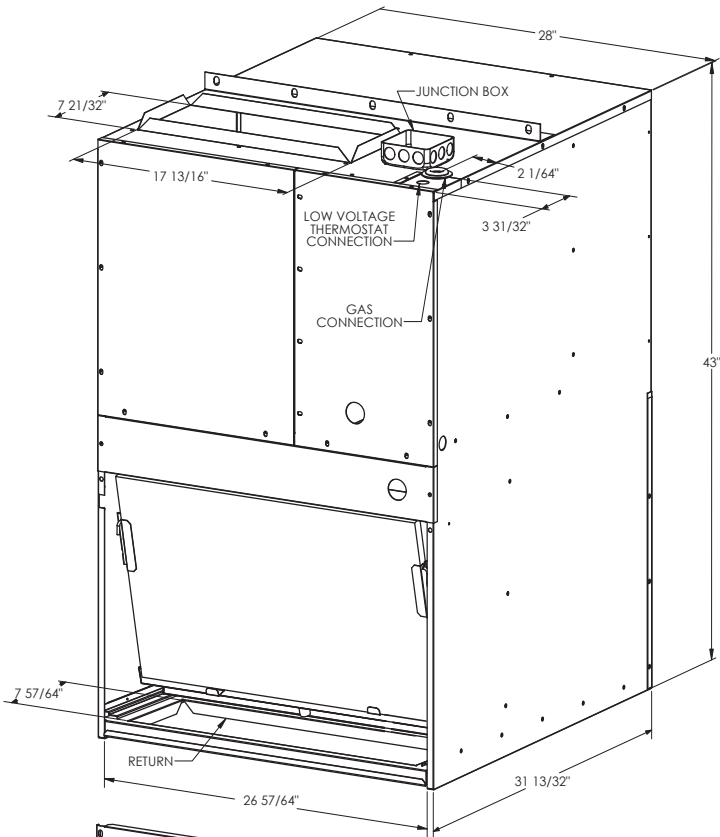
CPWS	Wall Sleeve (Unassembled)
CPWSA	Wall Sleeve Adapter (Unassembled)
CPLGX	Architectural Louver Grille
CPLGX-S	Architectural Louver Grille for Sleeve
CPLGX-P	Architectural Louver Grille Painted
CPLGX-SP	Architectural Louver Grille for Sleeve Painted
CPSGX-P	Stamped Grille Painted
A	Standard
B	Slotted Door
C	without Rear Grille
D	Both B & C
14508008	25K LP Conversion Kit
	43K LP Conversion Kit* (35,000 input)
	50K LP Conversion Kit

NOTE: National Comfort Products offers Architectural Louver Grilles for all models. Outdoor grilles provided by others must be approved by National Comfort Products to maintain unit performance and warranty coverage. See Comfort Pack Architectural Options Specification Sheet for more details.

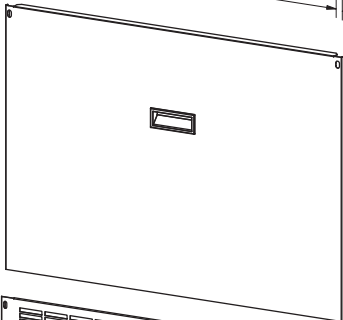
Comfort Pack Advantages

- Up to 95% Efficient Slide Out Furnace with Stainless Steel Heat Exchanger
- Universal Cooling Chassis, Slides Out for Ease of Service
- Easy Access Refrigeration Service Ports Utilizing Low Loss Coremax Technology
- Polarized Molex Plugs Allowing for Simple Disconnect from Cabinet
- Secondary Drain Provides Built in Condensate Overflow Protection

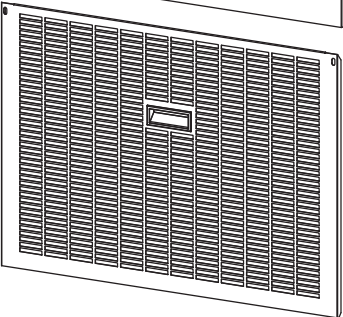
Unit Dimensions



Side view



Standard Filter Door



Option (B)
Slotted Filter Door
for Open Returns

NOTE: Unit must be mounted a minimum of 8 inches above finished floor.
See installation guide for vent termination clearances



National Comfort Products
A Division of National Refrigeration and Air Conditioning Products, Inc.
539 Dunksferry Road • Bensalem, PA 19020-5908
(800) 523-7138
www.nationalcomfortproducts.com



All specifications are subject to change without notice.

Spec Comfort Pack with up to 95% Gas Heat 2024