



COMFORT PACK U SERIES
with 80% GAS HEAT

Go Thru-the-Wall



Multi-Family Thru-the-Wall Heating & Cooling

Features

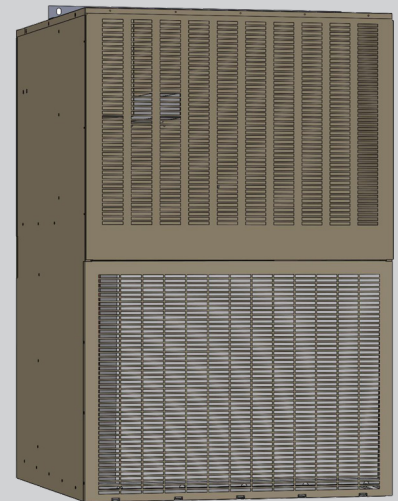
- Adjustable 5 Speed DC Indoor Motor
- Self-Contained Heating and Cooling Unit
- Precharged and Prewired
- Ships with standard Pre-Painted Stamped Exterior Grille (Pictured right)
- 16" x 25" Filter Included

Cooling System

- Slide-Out Universal Cooling Chassis provided with polarized molex plug connections
- Easy Access Coremax Service Ports
- R-410A High Efficiency Compressor
- 0.75, 1, 1.5 and 2 Ton Cooling Capacities
- TXV installed in all models for optimum performance
- Standard Secondary Drain Connection

Heating

- 80% AFUE Gas Efficiency
- Slide-Out Furnace with 409 Stainless Steel Heat Exchanger
- Up to 51,000 BTUH Heating Capacity Output
- Diagnostic LEDs and flame visible through sight glass on Furnace Door
- Sealed Combustion Chamber



Comfort Pack

Shown with Factory Installed,
Pre-Painted Stamped Exterior Grille



**NATIONAL
COMFORT
PRODUCTS**

HEATING & A/C EQUIPMENT

National Comfort Products

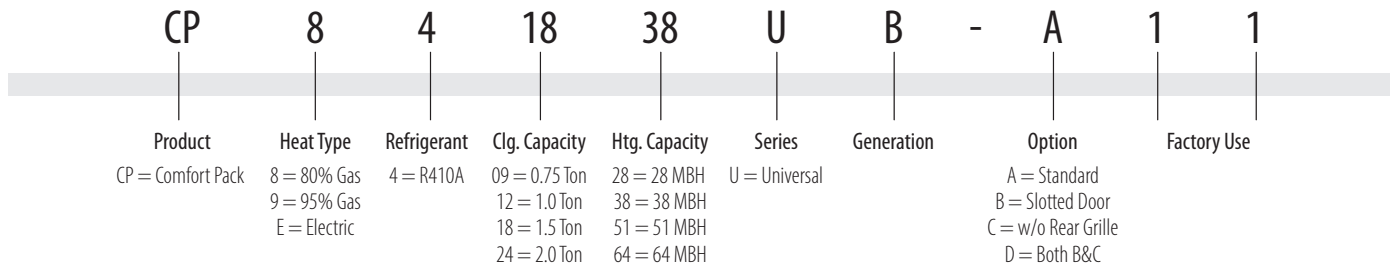
A Division of National Refrigeration and Air Conditioning Products, Inc.

539 Dunksferry Road • Bensalem, PA 19020-5908

(800) 523-7138

www.nationalcomfortproducts.com

Nomenclature 2024



Performance Data

11.7 SEER2 – 80% AFUE							
Model	Nominal Cooling Tons	Cooling Btu/h	Sensible Btu/h	Charge R-410A (oz)	Heater Input (Btu/h)	Heater Output (Btu/h)	Shipping Weight (lbs.)
CP840928UB	0.75	9,600	7,000	28	28,000	22,400	315
CP841228UB	1.0	12,000	8,700	30	28,000	22,400	315
CP841238UB	1.0	12,000	8,700	30	38,000	30,400	315
CP841828UB	1.5	17,300	13,000	43	38,000	22,400	325
CP841838UB	1.5	17,300	13,000	43	38,000	30,400	325
CP841851UB	1.5	17,300	13,000	43	51,000	40,800	325
CP841864UB	1.5	17,300	13,000	43	64,000	51,200	325
CP842428UB	2.0	21,600	15,600	43	28,000	22,400	350
CP842438UB	2.0	21,600	15,600	43	38,000	30,400	350
CP842451UB	2.0	21,600	15,600	43	51,000	40,800	350
CP842464UB	2.0	21,600	15,600	43	64,000	51,200	350

Electrical Data

Model	Voltage	Compressor		Condenser Motor			Blower		Total Amps	MCA	MOP
		RLA	LRA	HP	RLA	LRA	HP	RLA			
CP840928UB	208/230-1-60	3.9	21.0	1/4	2.4	--	1/3	2.6	8.9	9.9	15
CP841228UB	208/230-1-60	4.7	29.5	1/4	2.4	--	1/3	2.6	9.7	10.9	15
CP841238UB	208/230-1-60	4.7	29.5	1/4	2.4	--	1/3	2.6	9.7	10.9	15
CP841828UB	208/230-1-60	6.5	37.5	1/4	1.83	3.6	1/3	2.6	10.9	12.6	15
CP841838UB	208/230-1-60	6.5	37.5	1/4	1.83	3.6	1/3	2.6	10.9	12.6	15
CP841851UB	208/230-1-60	6.5	37.5	1/4	1.83	3.6	1/3	2.6	10.9	12.6	15
CP841864UB	208/230-1-60	6.5	37.5	1/4	1.83	3.6	1/3	2.6	10.9	12.6	15
CP842428UB	208/230-1-60	8.4	37.0	1/4	2.4	--	1/2	3.8	14.6	16.7	25
CP842438UB	208/230-1-60	8.4	37.0	1/4	2.4	--	1/2	3.8	14.6	16.7	25
CP842451UB	208/230-1-60	8.4	37.0	1/4	2.4	--	1/2	3.8	14.6	16.7	25
CP842464UB	208/230-1-60	8.4	37.0	1/4	2.4	--	1/2	3.8	14.6	16.7	25

Air Flow Data

Models	Color	Speed Tap	ESP (in. wc) / CFM				
			0.1	0.2	0.3	0.4	0.5
CP8409**UB	Red	1	760	745	730	715	700
	Yellow	2	650	640	630	615	600
	Blue	3	560	535	520	510	500
	Black	4	440	425	410	390	370
	Orange	5	390	360	330	310	290
CP8412**UB	Red	1	760	745	730	715	700
	Yellow	2	650	640	630	615	600
	Blue	3	560	535	520	510	500
	Black	4	440	425	410	390	370
	Orange	5	390	360	330	310	290
CP8418**UB	Red	1	760	745	730	715	700
	Yellow	2	650	640	630	615	600
	Blue	3	560	535	520	510	500
	Black	4	440	425	410	390	370
	Orange	5	390	360	330	310	290
CP8424**UB	Red	1	870	850	830	810	790
	Yellow	2	760	745	730	715	690
	Blue	3	680	665	650	630	610
	Black	4	590	565	540	525	510
	Orange	5	440	425	410	400	390

Other Options

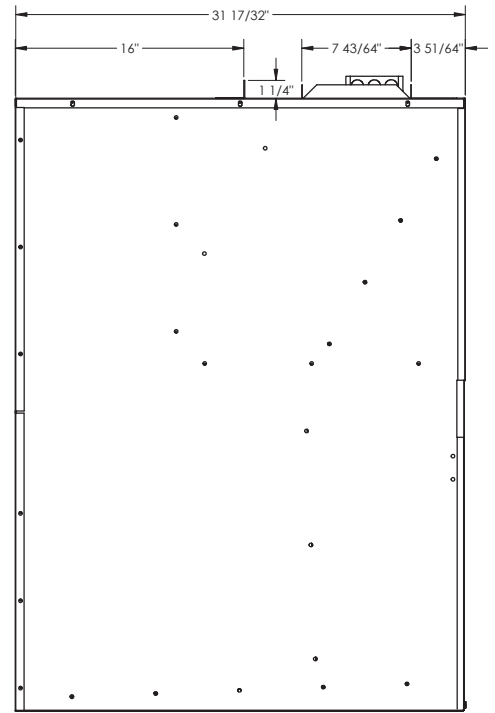
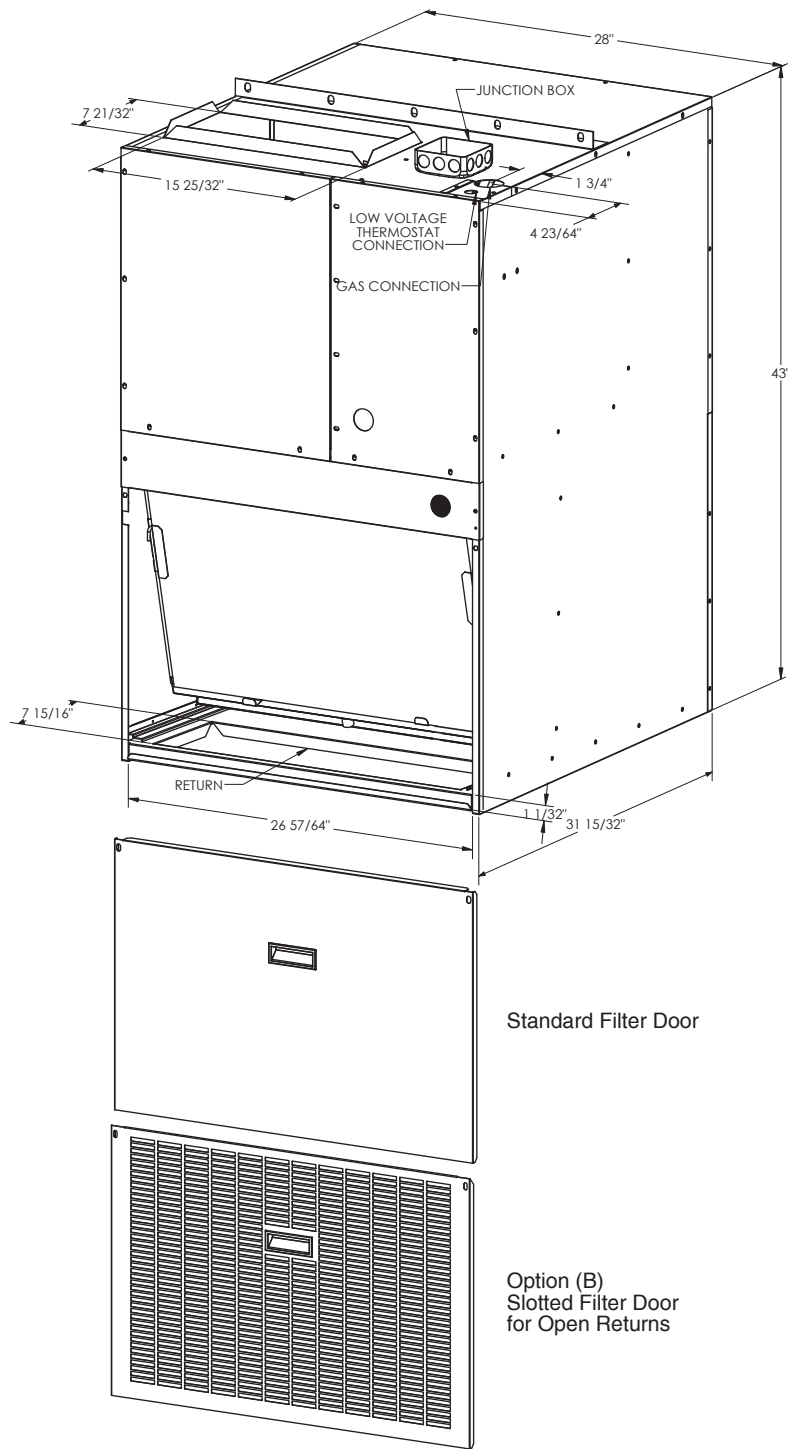
CPWS	Wall Sleeve (Unassembled)
CPWSA	Wall Sleeve Adapter (Unassembled)
CPLG	Architectural Louver Grille
CPLG-S	Architectural Louver Grille for Sleeve
CPLG-P	Architectural Louver Grille Painted
CPLG-SP	Architectural Louver Grille for Sleeve Painted
CPSG-P	Stamped Grille Painted
A	Standard
B	Slotted Door
C	with out Rear Grille
D	Both B & C
14208343	LP Kit (38 MBTU)
14208344	LP Kit (51 MBTU)
14208345	LP Kit (64 MBTU)

NOTE: National Comfort Products offers Architectural Louver Grilles for all models. Outdoor grilles provided by others must be approved by National Comfort Products to maintain unit performance and warranty coverage. See Comfort Pack Architectural Options Specification Sheet for more details.

Comfort Pack Advantages

- 80% Efficient Slide Out Furnace with Stainless Steel Heat Exchanger
- Universal Cooling Chassis, Slides Out for Ease of Service
- Easy Access Refrigeration Service Ports Utilizing Low Loss Coremax Technology
- Polarized Molex Plugs Allowing for Simple Disconnect from Cabinet
- Secondary Drain Provides Built In Condensate Overflow Protection

Unit Dimensions



Side view

NOTE: Unit must be mounted a minimum of 8 inches above finished floor. See installation guide for vent termination clearances



National Comfort Products
A Division of National Refrigeration and Air Conditioning Products, Inc.
539 Dunksferry Road • Bensalem, PA 19020-5908
(800) 523-7138
www.nationalcomfortproducts.com



All specifications are subject to change without notice.

Spec Comfort Pack with 80% Gas Heat 2024