



**NATIONAL
COMFORT
PRODUCTS**
HEATING & A/C EQUIPMENT

Multi-Family Thru-the-Wall Heating & Cooling

Comfort Pack with up to 95% Gas Heat Submittal Data

For Approval

Project:

Purchaser:

Date:

*Read Installation Manual prior to starting the installation.
This manual must be left with the homeowner for future reference.*

**NATIONAL
COMFORT
PRODUCTS**
HEATING & A/C EQUIPMENT

National Comfort Products
A Division of National Refrigeration and Air Conditioning Products, Inc.
539 Dunksferry Road • Bensalem, PA 19020-5908
(800) 523-7138 • Fax (215) 639-1674
www.nationalcomfortproducts.com

Go Thru-the-Wall



HEATING & A/C EQUIPMENT

Project:

Gas Heat Models

Plan Designation	Quantity	Model	Description	Page
		CP941225UA	NCP Comfort Pack Gas R410A 1.0 ton cooling, 25MBH gas input, 208-230/1/60, 95 AFUE/11.7 SEER2	6
		CP941232UA	NCP Comfort Pack Gas R410A 1.0 ton cooling, 25MBH gas input, 208-230/1/60, 95 AFUE/11.7 SEER2	6
		CP941825UA	NCP Comfort Pack Gas R410A 1.5 ton cooling, 25MBH gas input, 208-230/1/60, 95 AFUE/11.7 SEER2	6
		CP941832UA	NCP Comfort Pack Gas R410A 1.5 ton cooling, 32MBH gas input, 208-230/1/60, 95 AFUE/11.7 SEER2	6
		CP941843UA	NCP Comfort Pack Gas R410A 1.5 ton cooling, 43MBH gas input, 208-230/1/60, 95 AFUE 11.7 SEER2	6
		CP941850UA	NCP Comfort Pack Gas R410A 1.5 ton cooling, 50MBH gas input, 208-230/1/60, 93 AFUE/11.7 SEER2	6
		CP942425UA	NCP Comfort Pack Gas R410A 2.0 ton cooling, 25MBH gas input, 208-230/1/60, 95 AFUE/11.7 SEER2	6
		CP942432UA	NCP Comfort Pack Gas R410A 2.0 ton cooling, 32MBH gas input, 208-230/1/60, 95 AFUE/11.7 SEER2	6
		CP942443UA	NCP Comfort Pack Gas R410A 2.0 ton cooling, 43MBH gas input, 208-230/1/60, 95 AFUE/11.7 SEER2	6
		CP942450UA	NCP Comfort Pack Gas R410A 2.0 ton cooling, 50MBH gas input, 208-230/1/60, 93 AFUE/11.7 SEER2	6
		CP943043TA	NCP Comfort Pack Gas R410A 2.5 ton cooling, 43MBH gas input, 208-230/1/60, 95 AFUE/11.7 SEER2	7
		CP943050TA	NCP Comfort Pack Gas R410A 2.5 ton cooling, 50MBH gas input, 208-230/1/60, 93 AFUE/11.7 SEER2	7

Options

Plan Designation	Quantity	Model	Description	Page
		CPWS	Comfort Pack Wall Sleeve	8
		CPSGX-P	Comfort Pack 95% Model Stamped Grille Painted - U Series (Attaches to Wall Sleeve Only)	9
		CPSGTX-P	Comfort Pack 95% Model Stamped Grille Painted - T Series (Attaches to Wall Sleeve Only)	10
		CPLGX-S	Comfort Pack 95% Model Architectural Louver Grille - U Series for Sleeve (Attaches to Wall Sleeve Only)	11
		CPLGX-SP	Comfort Pack 95% Model Architectural Louver Grille - U Series for Sleeve Painted (Attaches to Wall Sleeve Only)	11
		CPLGTX-S	Comfort Pack 95% Model Architectural Louver Grille - T Series for Sleeve (Attaches to Wall Sleeve Only)	12
		CPLGTX-SP	Comfort Pack 95% Model Architectural Louver Grille - T Series for Sleeve Painted (Attaches to Wall Sleeve Only)	12
		A	Standard	N/A
		B	Slotted Door	7
		C	Without Rear Grille	N/A
		D	Both B & C	N/A
		CPPH	Comfort Pack PH Neutralizer Kit	N/A
		14508008	LP Kit for 25K NG Furnace	N/A
		14508008	LP Kit for 43K NG Furnace (LP Input 35K)	N/A
		14508008	LP Kit for 50K NG Furnace	N/A

Performance Data

11.7 SEER2 – up to 95% AFUE							
Model	Nominal Cooling Tons	Cooling Btuh	Sensible Btuh	AFUE	Heating Btuh INPUT	Heating Btuh OUTPUT	Shipping Weight (lbs.)
CP941225UA	1	12,000	8,700	95%	25,000	23,750	315
CP941232UA	1	12,000	8,700	95%	32,000	30,400	315
CP941825UA	1.5	17,300	13,000	95%	25,000	23,750	325
CP941832UA	1.5	17,300	13,000	95%	32,000	30,400	325
CP941843UA	1.5	17,300	13,000	95%	43,000	40,850	325
CP941850UA	1.5	17,300	13,000	93%	50,000	46,500	325
CP942425UA	2	21,600	15,600	95%	25,000	23,750	350
CP942432UA	2	21,600	15,600	95%	32,000	30,400	350
CP942443UA	2	21,600	15,600	95%	43,000	40,850	350
CP942450UA	2	21,600	15,600	93%	50,000	46,500	350
CP943043TA	2.5	27,000	19,600	95%	43,000	40,850	365
CP943050TA	2.5	27,000	19,600	93%	50,000	46,500	365

Electrical Data

Model	Voltage	Compressor		Condenser Motor			Blower		Total Amps	MCA	MOP
		RLA	LRA	HP	RLA	LRA	HP	RLA			
CP941225UA	208/230-1-60	4.7	29.5	1/4	2.4	-	1/3	3.0	10.1	11.3	15
CP941232UA	208/230-1-60	4.7	29.5	1/4	2.4	-	1/3	3.0	10.1	11.3	15
CP941825UA	208/230-1-60	6.5	37.5	1/4	1.83	3.6	1/3	3.0	11.3	13.0	15
CP941832UA	208/230-1-60	6.5	37.5	1/4	1.83	3.6	1/3	3.0	11.3	13.0	15
CP941843UA	208/230-1-60	6.5	37.5	1/4	1.83	3.6	1/3	3.0	11.3	13.0	15
CP941850UA	208/230-1-60	6.5	37.5	1/4	1.83	3.6	1/3	3.0	11.3	13.0	15
CP942425UA	208/230-1-60	8.4	37.0	1/4	2.4	-	1/2	3.9	14.7	16.8	25
CP942432UA	208/230-1-60	8.4	37.0	1/4	2.4	-	1/2	3.9	14.7	16.8	25
CP942443UA	208/230-1-60	8.4	37.0	1/4	2.4	-	1/2	3.9	14.7	16.8	25
CP942450UA	208/230-1-60	8.4	37.0	1/4	2.4	-	1/2	3.9	14.7	16.8	25
CP943043TA	208/230-1-60	14.1	67.9	1/4	2.4	-	1/2	3.9	20.4	23.9	35
CP943050TA	208/230-1-60	14.1	67.9	1/4	2.4	-	1/2	3.9	20.4	23.9	35

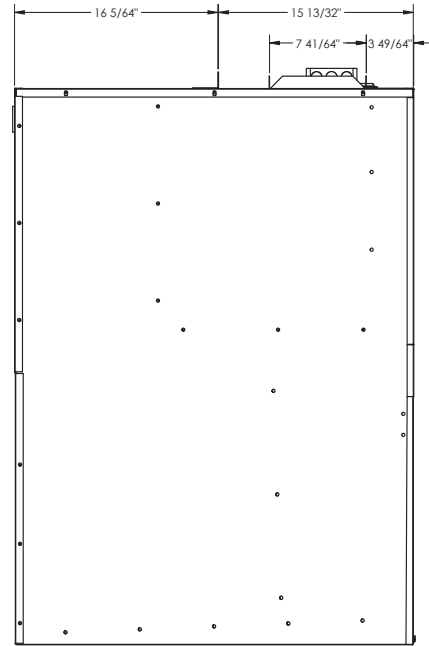
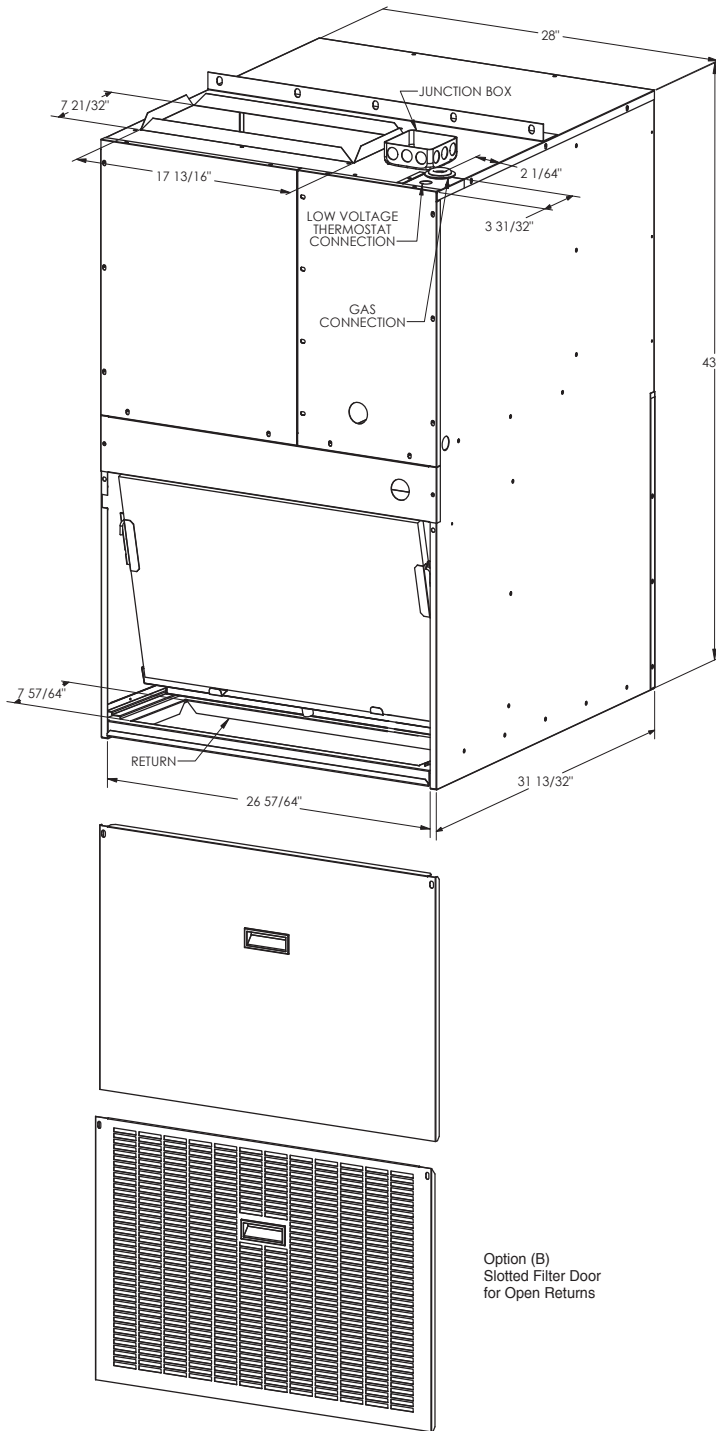
Project:

Air Flow Data

Models	Color	Speed Tap	ESP (in. wc) / CFM			
			0.1	0.2	0.3	0.4
CP9412**UA	Red	1	760	745	730	715
	Yellow	2	650	640	630	615
	Blue	3	560	535	520	510
	Black	4	440	425	410	390
	Orange	5	390	360	330	310
CP9418**UA	Red	1	760	745	730	715
	Yellow	2	650	640	630	615
	Blue	3	560	535	520	510
	Black	4	440	425	410	390
	Orange	5	390	360	330	310
CP9424**UA	Red	1	870	850	830	810
	Yellow	2	760	745	730	715
	Blue	3	680	665	650	630
	Black	4	590	565	540	525
	Orange	5	440	425	410	400
CP9430**TA	Red	1	1000	975	950	930
	Yellow	2	840	830	800	775
	Blue	3	760	730	710	690
	Black	4	635	610	580	560
	Orange	5	520	430	375	310

Project:

Comfort Pack with up to 95% Gas Heat-U Series

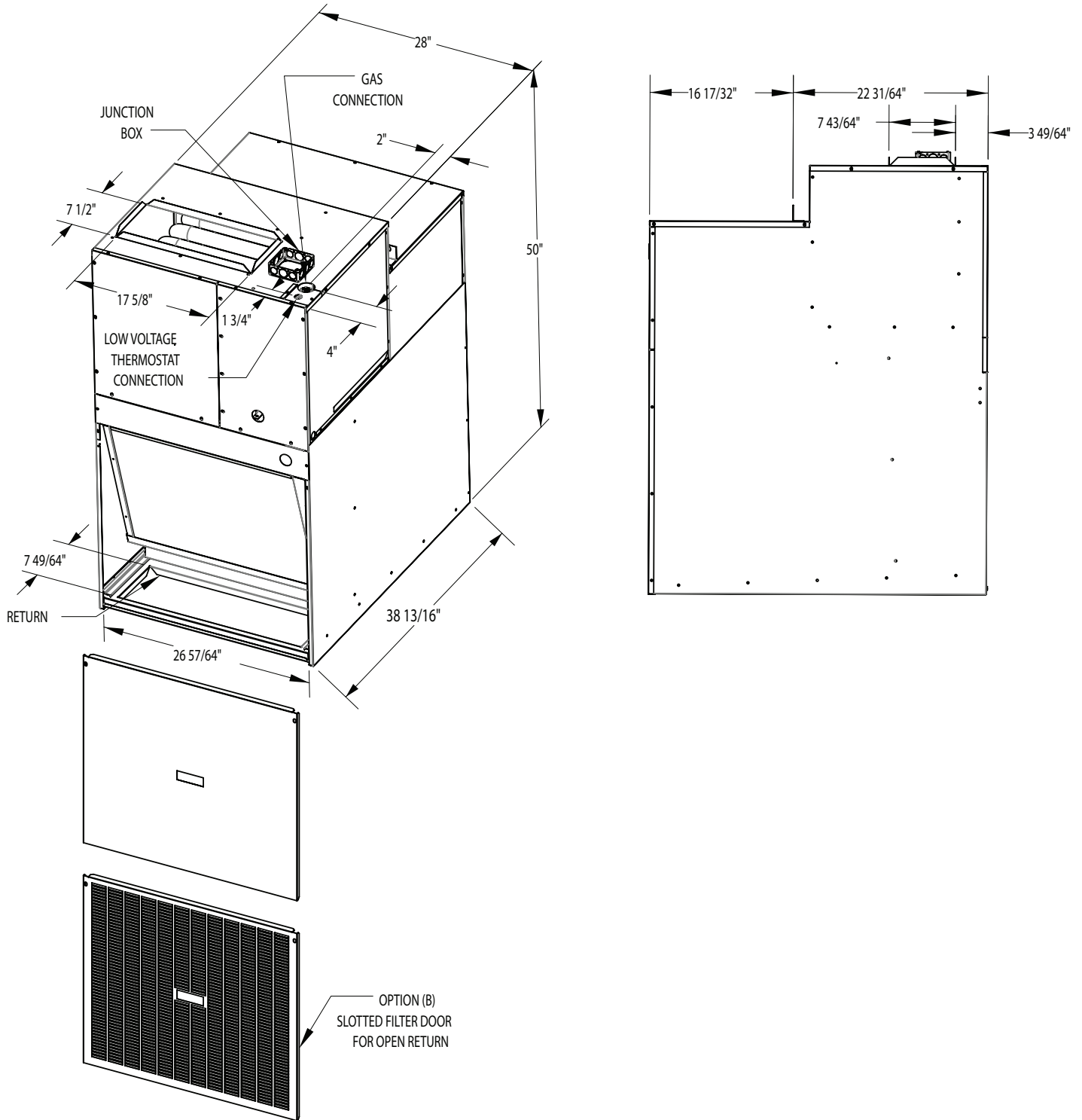


Side view

Option (B)
Slotted Filter Door
for Open Returns

NOTE: Unit must be mounted a minimum of 8 inches above finished floor.
See installation guide for vent termination clearances

Comfort Pack with up to 95% Gas Heat-T Series



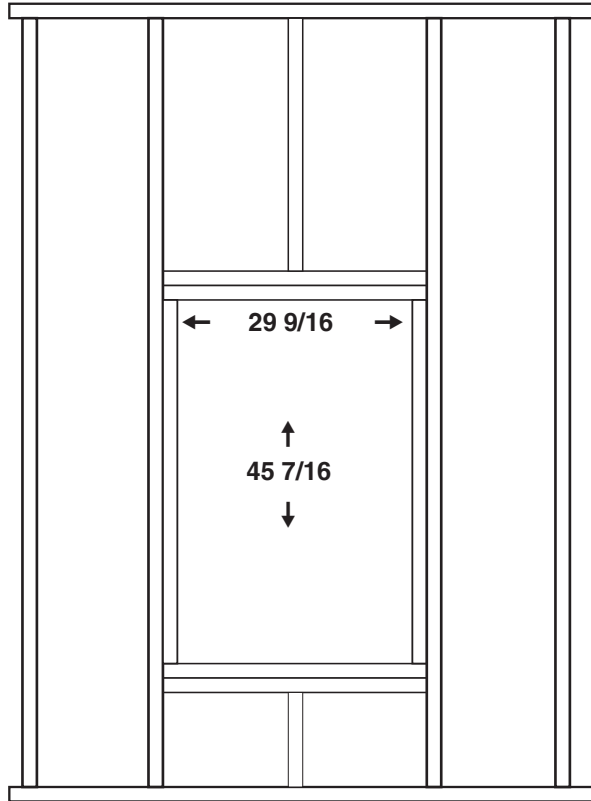
NOTE: Unit must be mounted a minimum of 8 inches above finished floor.
See installation guide for vent termination clearances

Project:

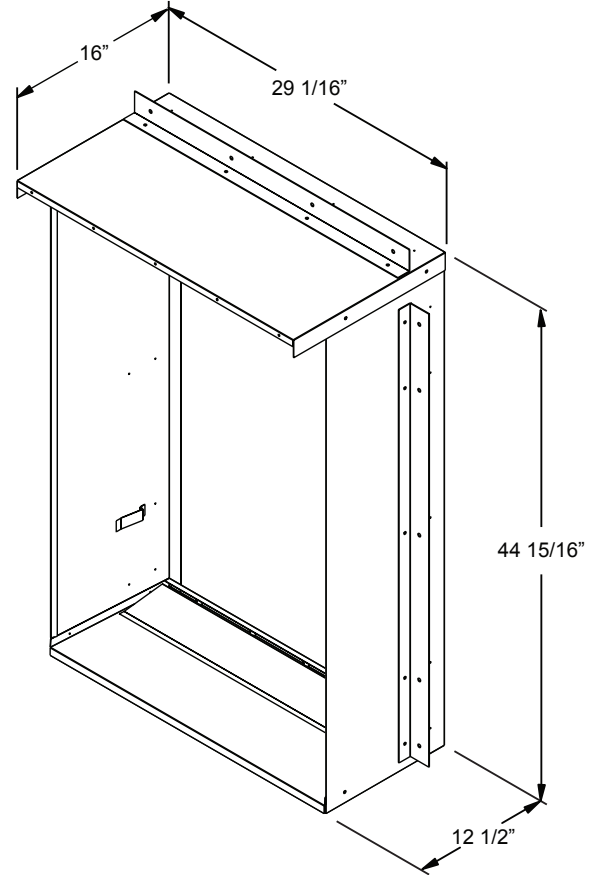
Wall Sleeve

CPWS

Rough In Dimensions

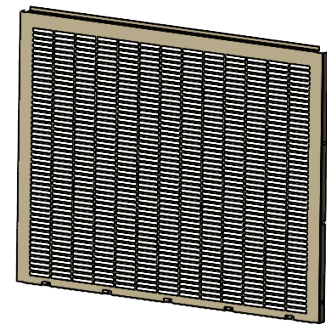
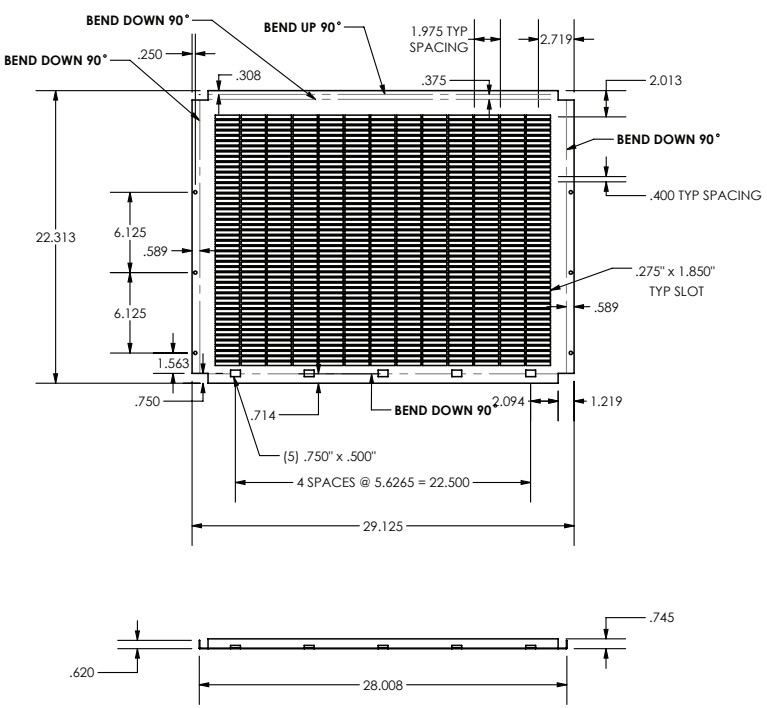
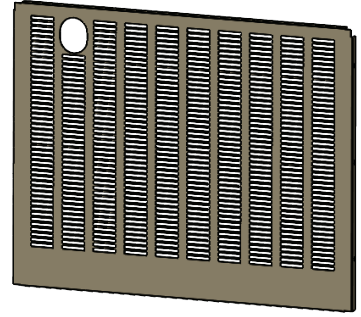
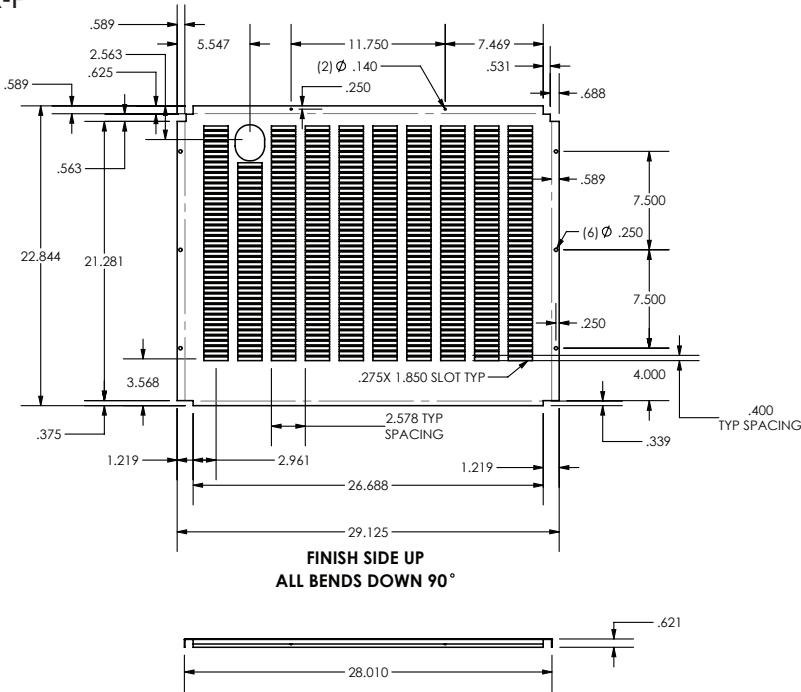


Actual Wall Sleeve Dimensions



Powder Coated Standard Louver - U Series (Sleeve Mounted)

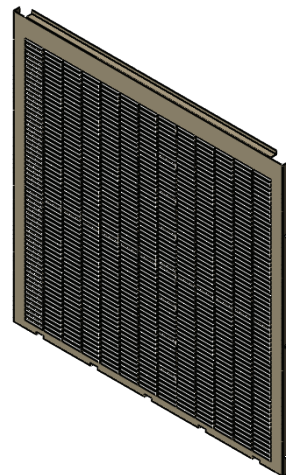
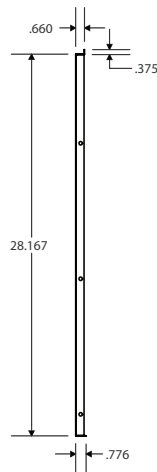
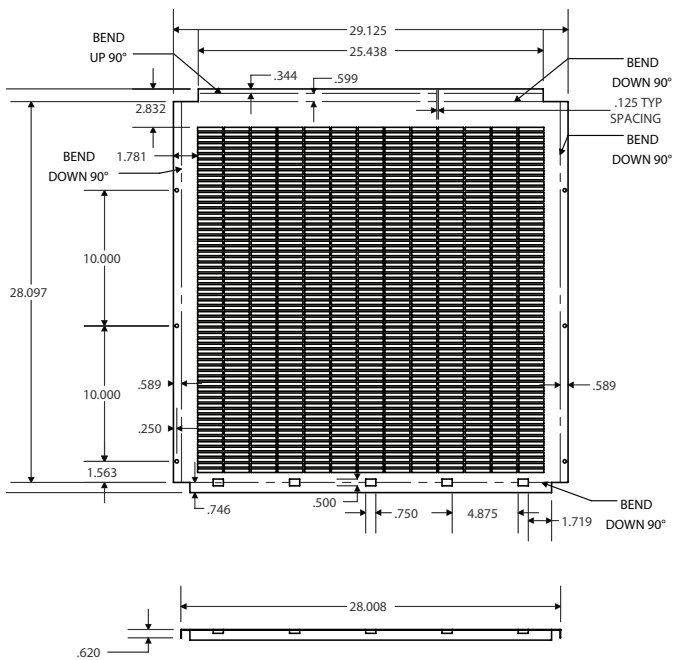
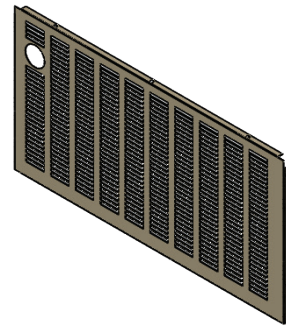
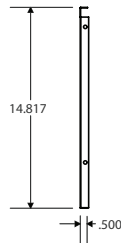
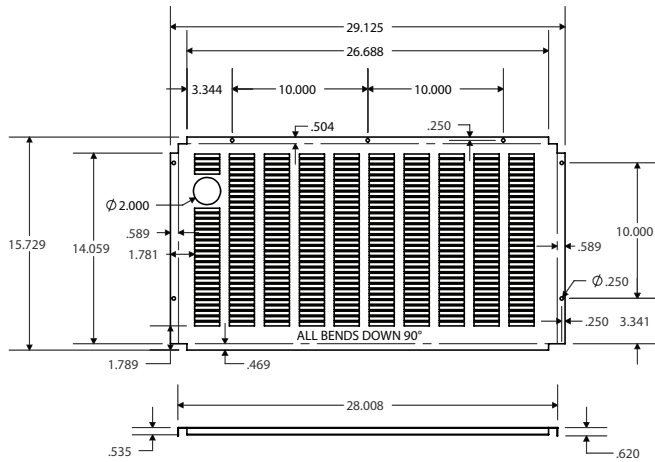
CPSGX-P



The CPSGX-P version is a powder coated galvanized metal. It mounts to the Wall Sleeve and is recommended to be installed during the installation of the CPWS. (See page 8)

Powder Coated Standard Louver - T Series (Sleeve Mounted)

CPSGTX-P

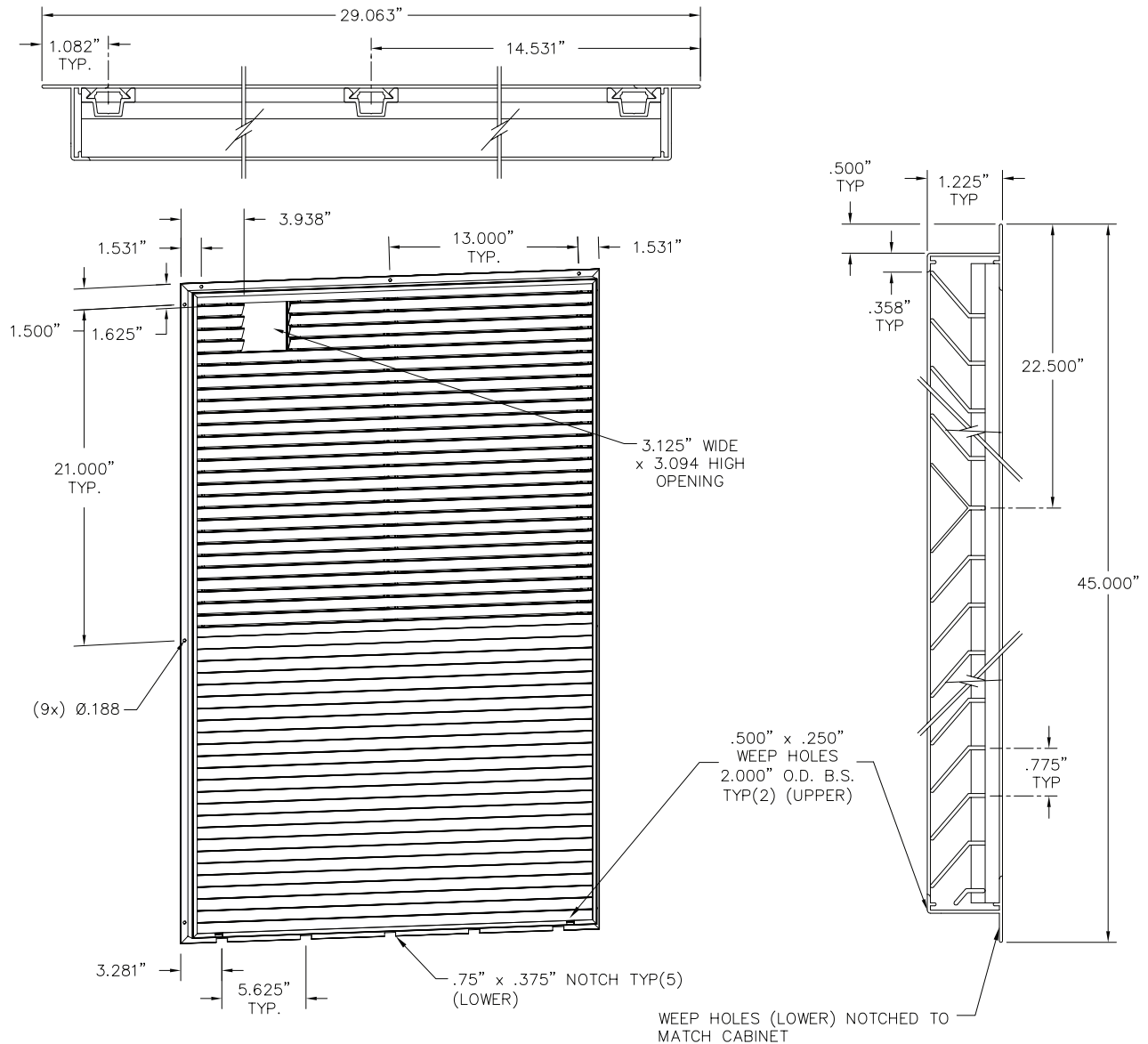


The CPSGTX-P version is a powder coated galvanized metal. It mounts to the Wall Sleeve and is recommended to be installed during the installation of the CPWS. (See page 8)

Architectural Louver - U Series (Sleeve Mounted)

CPLGX-S (anodized aluminum finish)

CPLGX-SP (painted finish)

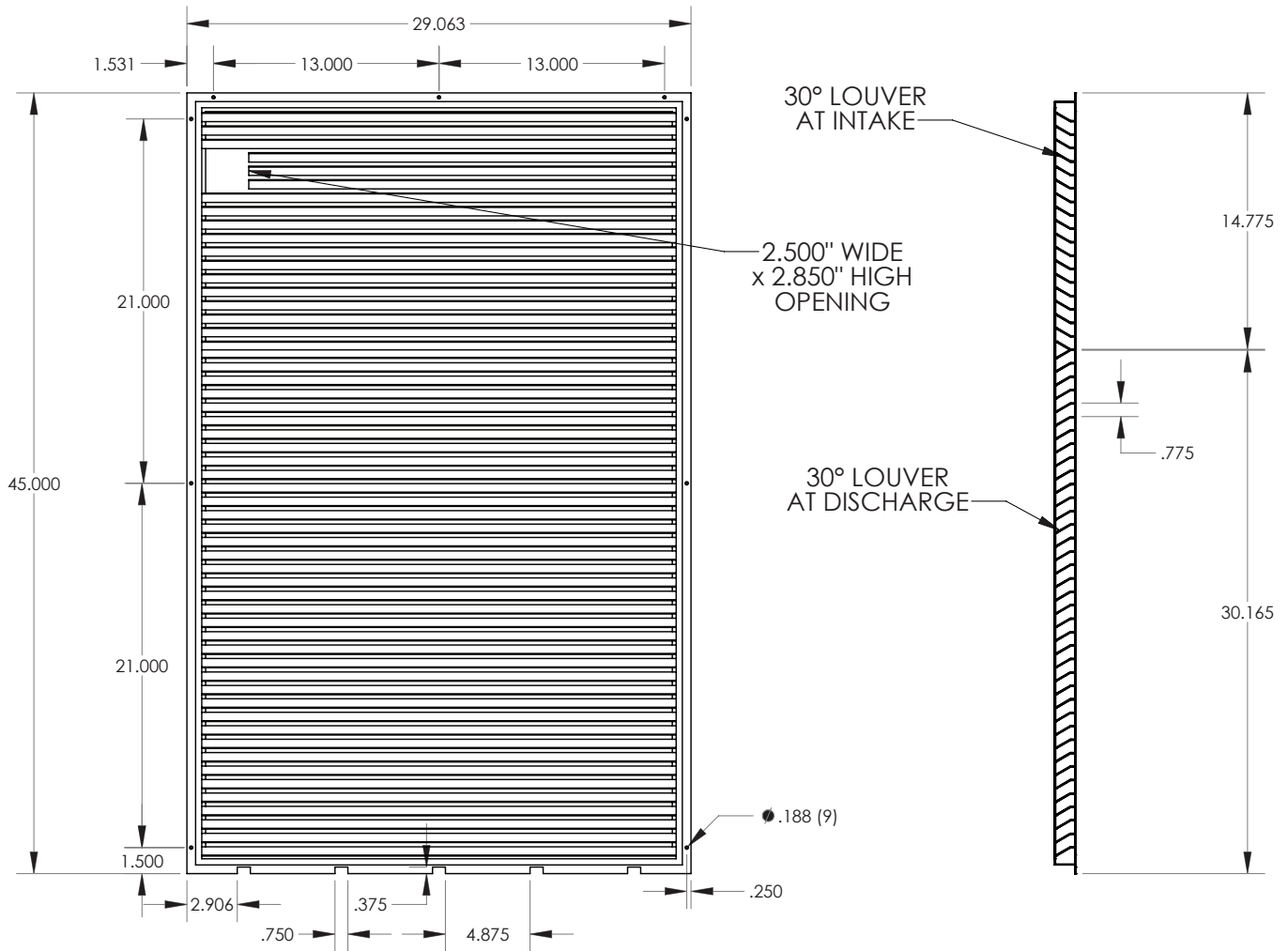


The CPLGX-S & CPLGX-SP are Architectural Louvers available in anodized aluminum or a painted baked enamel finish. These Louvers are sleeve mounted and recommended to be installed during the installation of the CPWS. (See page 8)

Project:

Architectural Louver - T Series (Sleeve Mounted)

CPLGTX-S (anodized aluminum finish)
CPLGTX-SP (painted finish)



The CPLGTX-S & CPLGTX-SP are Architectural Louvers available in anodized aluminum or a painted baked enamel finish. These Louvers are sleeve mounted and recommended to be installed during the installation of the CPWS. (See page 8)



HEATING & A/C EQUIPMENT

National Comfort Products

A Division of National Refrigeration and Air Conditioning Products, Inc.

539 Dunksferry Road • Bensalem, PA 19020-5908
(800) 523-7138 • Fax (215) 639-1674

www.nationalcomfortproducts.com

