



Thru-the-Wall Comfort for all types of Multi-Family Construction

**Comfort Pack with 95% Gas Heat
Submittal Data**

For Approval

Project:

Purchaser:

Date:

up to 95% AFUE | 11.7 SEER2



National Comfort Products
A Division of National Refrigeration and Air Conditioning Products, Inc.
539 Dunksferry Road • Bensalem, PA 19020-5908
(800) 523-7138
www.nationalcomfortproducts.com

Go Thru-the-Wall



HEATING & A/C EQUIPMENT

Project:

Gas Heat Models

Plan Designation	Quantity	Model	Description	Page
		CP940925UB	Comfort Pack U-Series R410A 0.75 ton cooling, 25MBH gas input, 208-230/1/60, 95 AFUE/11.7 SEER2	6
		CP941225UB	Comfort Pack U-Series R410A 1.0 ton cooling, 25MBH gas input, 208-230/1/60, 95 AFUE/11.7 SEER2	6
		CP941232UB	Comfort Pack U-Series R410A 1.0 ton cooling, 32MBH gas input, 208-230/1/60, 95 AFUE/11.7 SEER2	6
		CP941825UB	Comfort Pack U-Series R410A 1.5 ton cooling, 25MBH gas input, 208-230/1/60, 95 AFUE/11.7 SEER2	6
		CP941832UB	Comfort Pack U-Series R410A 1.5 ton cooling, 32MBH gas input, 208-230/1/60, 95 AFUE/11.7 SEER2	6
		CP941843UB	Comfort Pack U-Series R410A 1.5 ton cooling, 43MBH gas input, 208-230/1/60, 95 AFUE 11.7 SEER2	6
		CP941850UB	Comfort Pack U-Series R410A 1.5 ton cooling, 50MBH gas input, 208-230/1/60, 93 AFUE/11.7 SEER2	6
		CP942425UB	Comfort Pack U-Series R410A 2.0 ton cooling, 25MBH gas input, 208-230/1/60, 95 AFUE/11.7 SEER2	6
		CP942432UB	Comfort Pack U-Series R410A 2.0 ton cooling, 32MBH gas input, 208-230/1/60, 95 AFUE/11.7 SEER2	6
		CP942443UB	Comfort Pack U-Series R410A 2.0 ton cooling, 43MBH gas input, 208-230/1/60, 95 AFUE/11.7 SEER2	6
		CP942450UB	Comfort Pack U-Series R410A 2.0 ton cooling, 50MBH gas input, 208-230/1/60, 93 AFUE/11.7 SEER2	6
		CP943043TB	Comfort Pack T-Series R410A 2.5 ton cooling, 43MBH gas input, 208-230/1/60, 95 AFUE/11.7 SEER2	7
		CP943050TB	Comfort Pack T-Series R410A 2.5 ton cooling, 50MBH gas input, 208-230/1/60, 93 AFUE/11.7 SEER2	7

Options

Plan Designation	Quantity	Model	Description	Page
		CPWS	Comfort Pack Wall Sleeve	8
		CPSGX-P	Comfort Pack 95% Model Stamped Grille Painted - U Series (Attaches to Wall Sleeve Only)	9
		CPSGTX-P	Comfort Pack 95% Model Stamped Grille Painted - T Series (Attaches to Wall Sleeve Only)	10
		CPLGX-S	Comfort Pack 95% Model Architectural Louver Grille - U Series for Sleeve (Attaches to Wall Sleeve Only)	11
		CPLGX-SP	Comfort Pack 95% Model Architectural Louver Grille - U Series for Sleeve Painted (Attaches to Wall Sleeve Only)	11
		CPLGTX-S	Comfort Pack 95% Model Architectural Louver Grille - T Series for Sleeve (Attaches to Wall Sleeve Only)	12
		CPLGTX-SP	Comfort Pack 95% Model Architectural Louver Grille - T Series for Sleeve Painted (Attaches to Wall Sleeve Only)	12
		A	Standard	N/A
		B	Slotted Door	7
		C	Without Rear Grille	N/A
		D	Both B & C	N/A
		CPPH	Comfort Pack PH Neutralizer Kit	N/A
		14508008	LP Kit for 25K NG Furnace	N/A
		14508008	LP Kit for 43K NG Furnace (LP Input 35K)	N/A
		14508008	LP Kit for 50K NG Furnace	N/A

Performance Data

11.7 SEER2 – up to 95% AFUE							
Model	Nominal Cooling Tons	Cooling Btu/h	Sensible Btu/h	AFUE	Heater Input (Btu/h)	Heater Output (Btu/h)	Shipping Weight (lbs)
CP940925UB	0.75	9,600	7,000	95%	25,000	23,750	315
CP941225UB	1.0	12,000	8,700	95%	25,000	23,750	315
CP941232UB	1.0	12,000	8,700	95%	32,000	30,400	315
CP941825UB	1.5	17,300	13,000	95%	25,000	23,750	325
CP941832UB	1.5	17,300	13,000	95%	32,000	30,400	325
CP941843UB	1.5	17,300	13,000	95%	43,000	40,850	325
CP941850UB	1.5	17,300	13,000	93%	50,000	46,500	325
CP942425UB	2.0	21,600	15,600	95%	25,000	23,750	350
CP942432UB	2.0	21,600	15,600	95%	32,000	30,400	350
CP942443UB	2.0	21,600	15,600	95%	43,000	40,850	350
CP942450UB	2.0	21,600	15,600	93%	50,000	46,500	350
CP943043TB	2.5	27,000	19,600	95%	43,000	40,850	365
CP943050TB	2.5	27,000	19,600	93%	50,000	46,500	365

Electrical Data

Model	Voltage	Compressor		Condenser Motor			Blower		Total Amps	MCA	MOP
		RLA	LRA	HP	RLA	LRA	HP	RLA			
CP940925UB	208/230-1-60	3.9	21.0	1/4	2.4	--	1/3	2.6	8.9	9.9	15
CP941225UB	208/230-1-60	4.7	29.5	1/4	2.4	--	1/3	2.6	9.7	10.9	15
CP941232UB	208/230-1-60	4.7	29.5	1/4	2.4	--	1/3	2.6	9.7	10.9	15
CP941825UB	208/230-1-60	6.5	37.5	1/4	1.83	3.6	1/3	2.6	10.9	12.6	15
CP941832UB	208/230-1-60	6.5	37.5	1/4	1.83	3.6	1/3	2.6	10.9	12.6	15
CP941843UB	208/230-1-60	6.5	37.5	1/4	1.83	3.6	1/3	2.6	10.9	12.6	15
CP941850UB	208/230-1-60	6.5	37.5	1/4	1.83	3.6	1/3	2.6	10.9	12.6	15
CP942425UB	208/230-1-60	8.4	37.0	1/4	2.4	--	1/2	3.8	14.6	16.7	25
CP942432UB	208/230-1-60	8.4	37.0	1/4	2.4	--	1/2	3.8	14.6	16.7	25
CP942443UB	208/230-1-60	8.4	37.0	1/4	2.4	--	1/2	3.8	14.6	16.7	25
CP942450UB	208/230-1-60	8.4	37.0	1/4	2.4	--	1/2	3.8	14.6	16.7	25
CP943043TB	208/230-1-60	14.1	67.9	1/4	2.4	--	1/2	3.8	20.3	23.8	35
CP943050TB	208/230-1-60	14.1	67.9	1/4	2.4	--	1/2	3.8	20.3	23.8	35

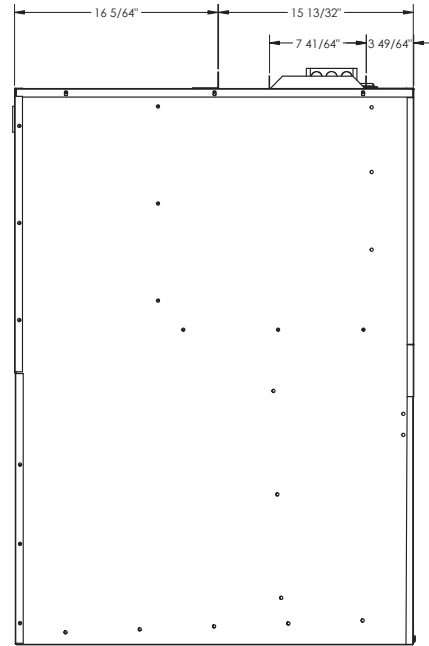
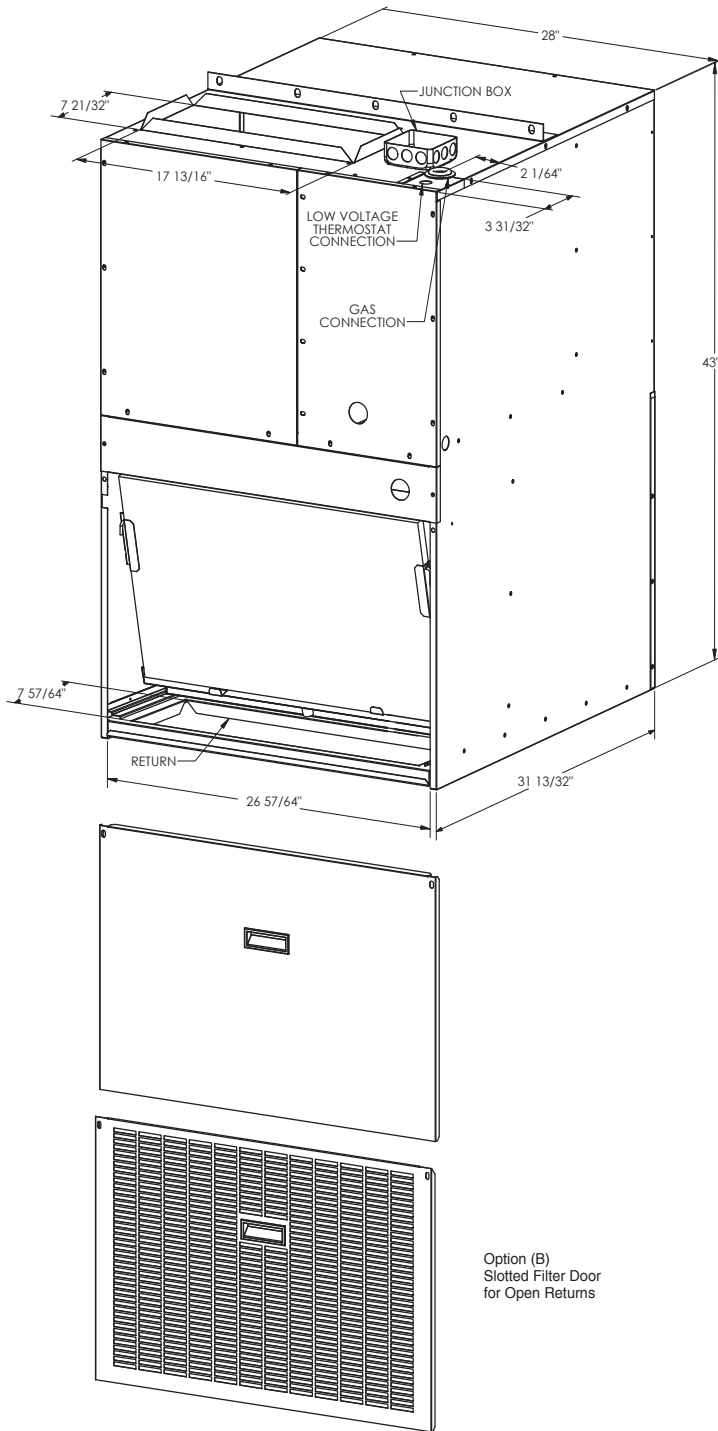
Project:

Air Flow Data

Models	Color	Speed Tap	ESP (in. wc) / CFM				
			0.1	0.2	0.3	0.4	0.5
CP9409**UB	Red	1	760	745	730	715	700
	Yellow	2	650	640	630	615	600
	Blue	3	560	535	520	510	500
	Black	4	440	425	410	390	370
	Orange	5	390	360	330	310	290
CP9412**UB	Red	1	760	745	730	715	700
	Yellow	2	650	640	630	615	600
	Blue	3	560	535	520	510	500
	Black	4	440	425	410	390	370
	Orange	5	390	360	330	310	290
CP9418**UB	Red	1	760	745	730	715	700
	Yellow	2	650	640	630	615	600
	Blue	3	560	535	520	510	500
	Black	4	440	425	410	390	370
	Orange	5	390	360	330	310	290
CP9424**UB	Red	1	870	850	830	810	790
	Yellow	2	760	745	730	715	690
	Blue	3	680	665	650	630	610
	Black	4	590	565	540	525	510
	Orange	5	440	425	410	400	390
CP9430**TB	Red	1	1000	975	950	930	910
	Yellow	2	840	830	800	775	750
	Blue	3	760	730	710	690	660
	Black	4	635	610	580	560	530
	Orange	5	520	430	375	310	--

Project:

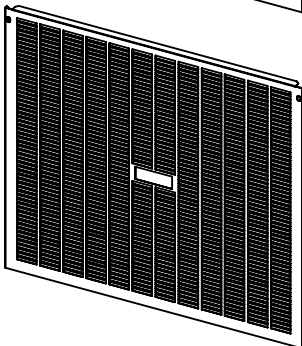
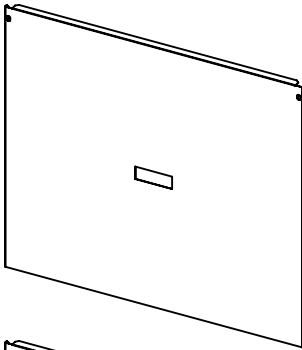
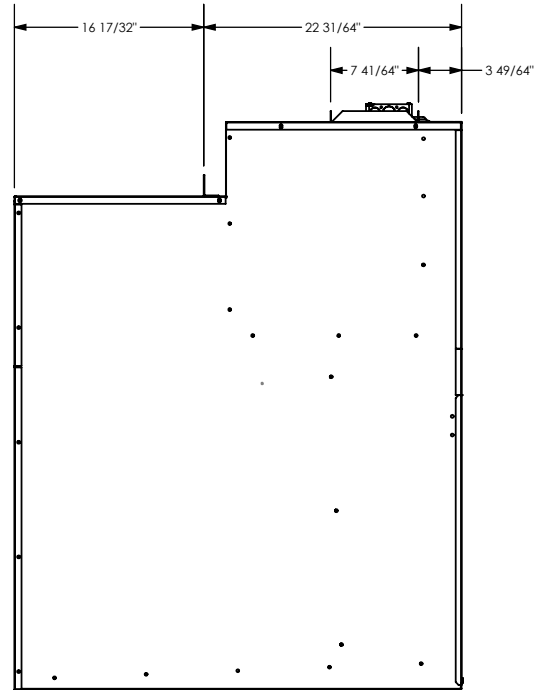
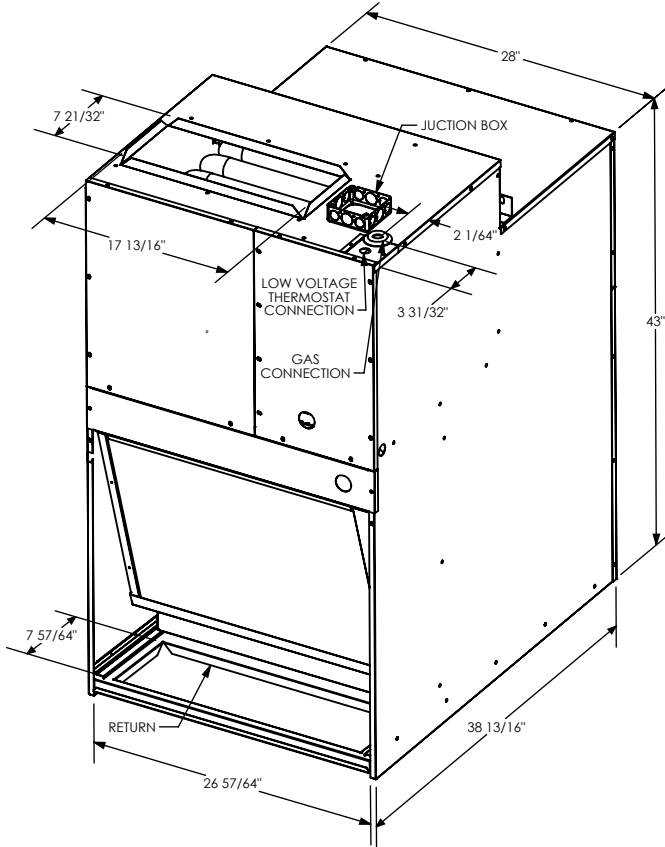
Comfort Pack with up to 95% Gas Heat - U Series



Side view

NOTE: Unit must be mounted a minimum of 8 inches above finished floor.
See installation guide for vent termination clearances

Comfort Pack with up to 95% Gas Heat - T Series



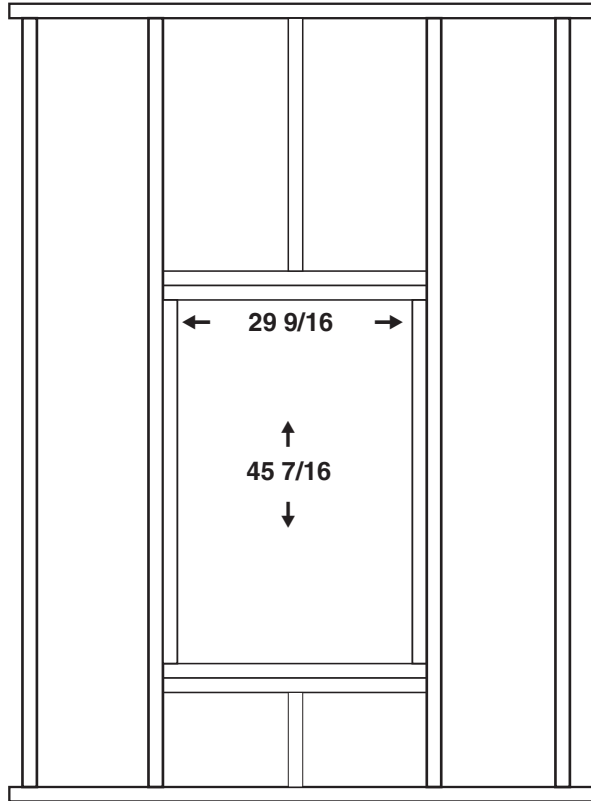
NOTE: Unit must be mounted a minimum of 8 inches above finished floor.
See installation guide for vent termination clearances

Project:

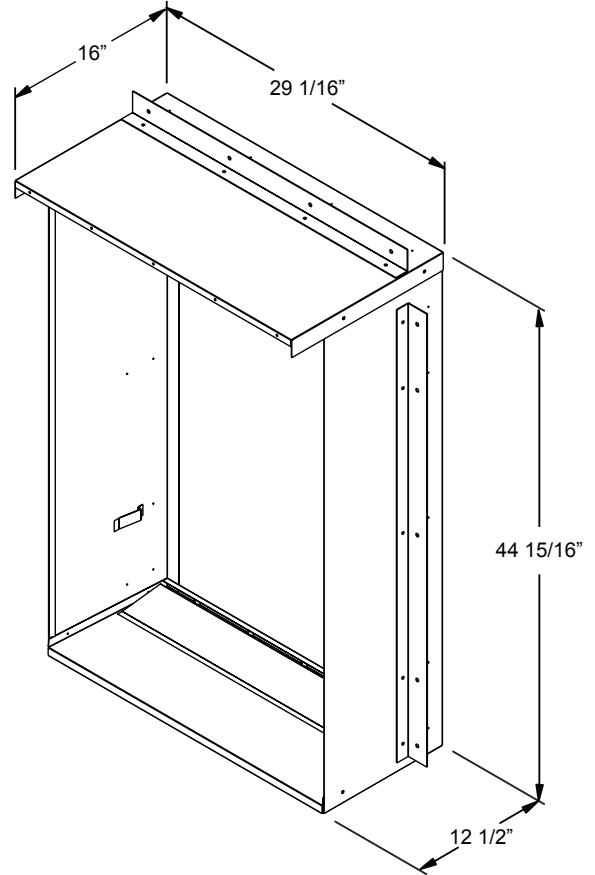
Wall Sleeve

CPWS

Rough In Dimensions



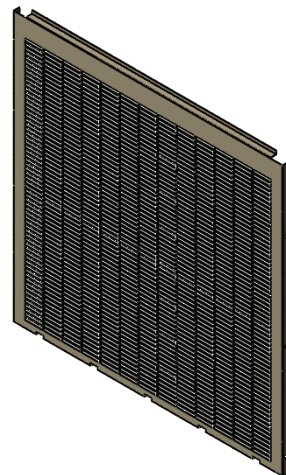
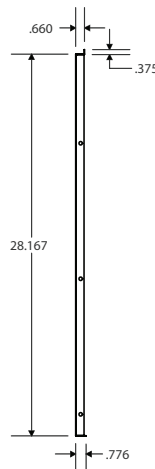
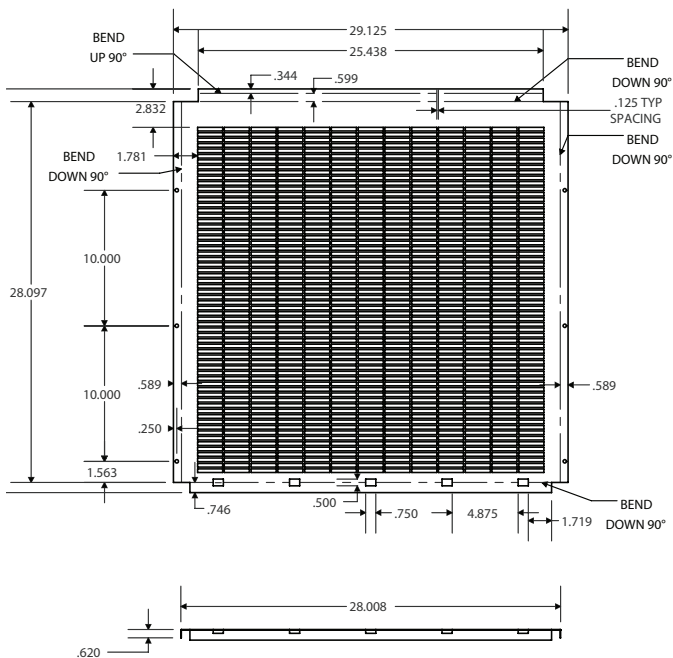
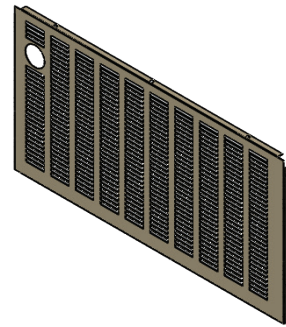
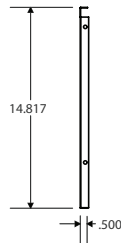
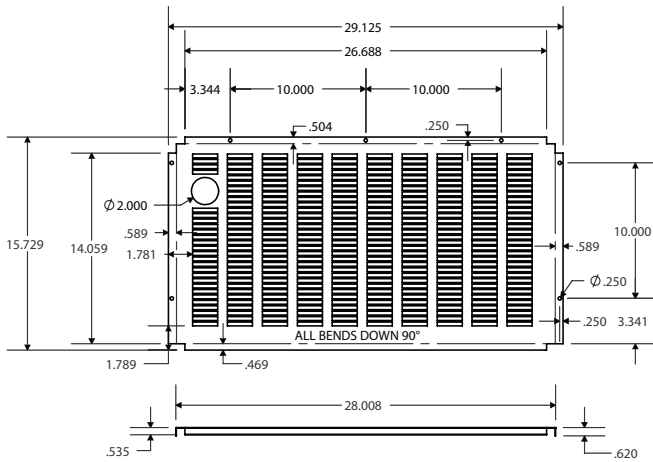
Actual Wall Sleeve Dimensions



Project:

Powder Coated Standard Louver - T Series (Sleeve Mounted)

CPSGTX-P

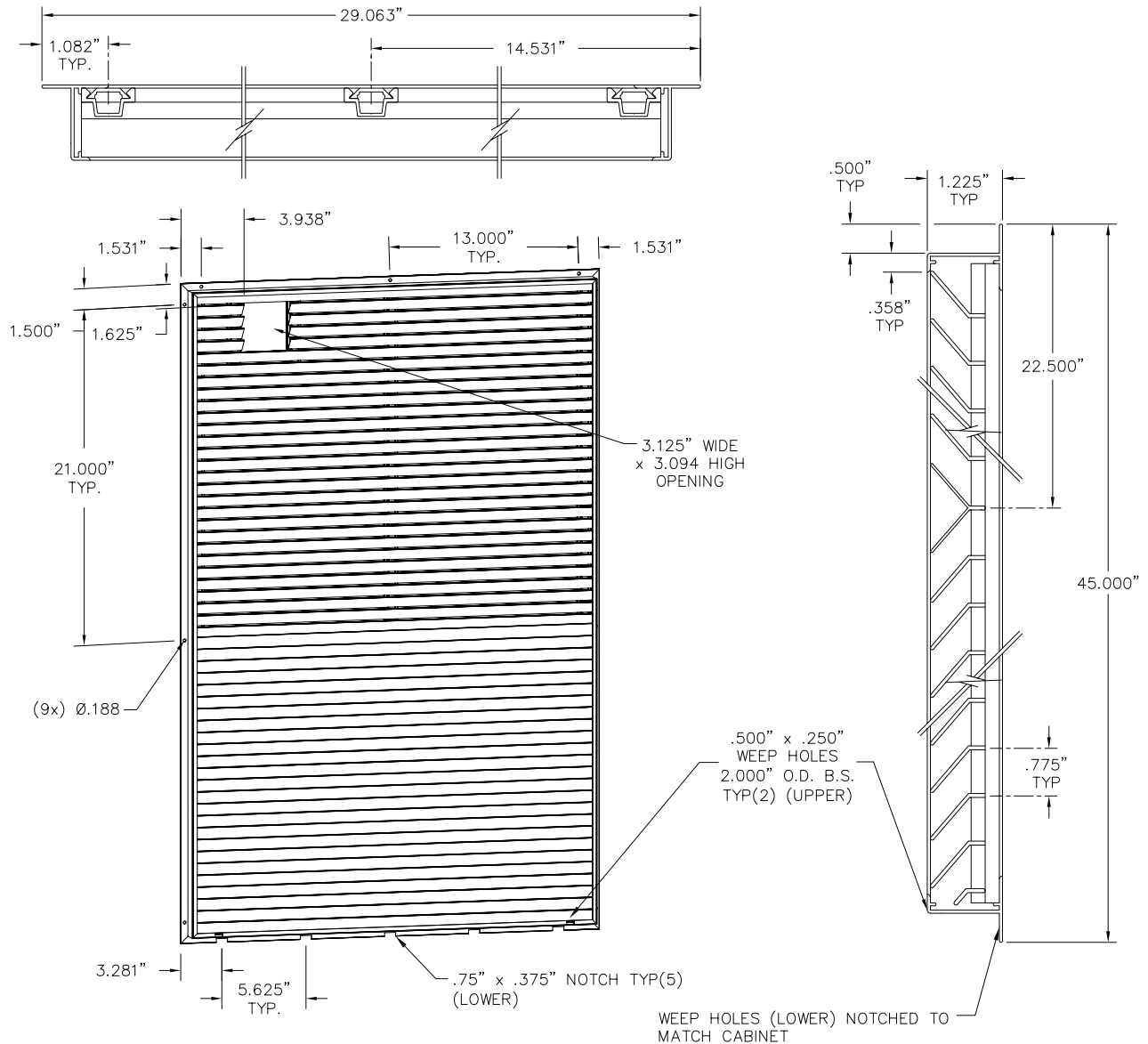


The CPSGTX-P version is a powder coated galvanized metal. It mounts to the Wall Sleeve and is recommended to be installed during the installation of the CPWS. (See page 8)

Architectural Louver - U Series (Sleeve Mounted)

CPLGX-S (anodized aluminum finish)

CPLGX-SP (painted finish)

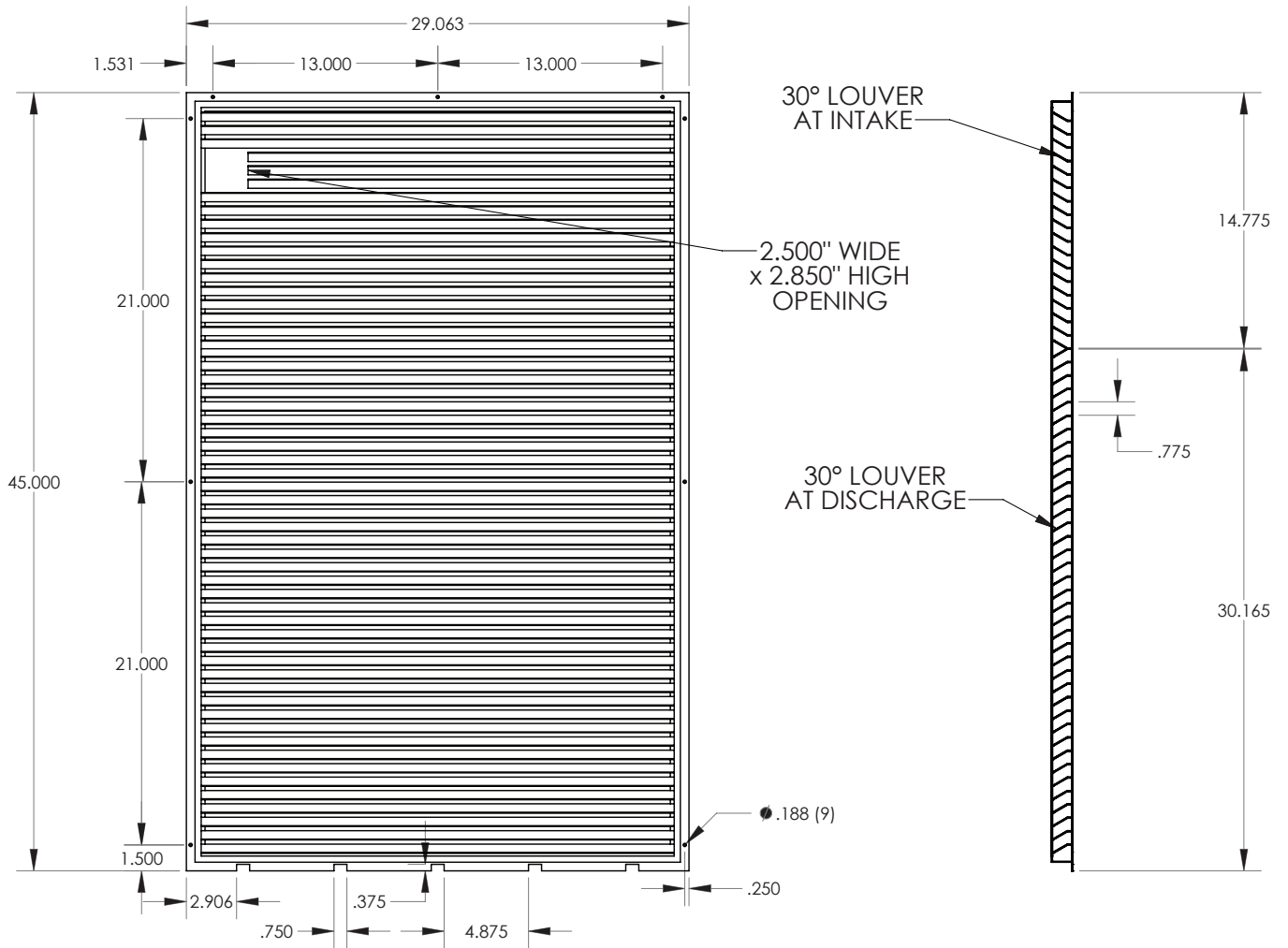


The CPLGX-S & CPLGX-SP are Architectural Louvers available in anodized aluminum or a painted baked enamel finish. These Louvers are sleeve mounted and recommended to be installed during the installation of the CPWS. (See page 8)

Project:

Architectural Louver - T Series (Sleeve Mounted)

CPLGTX-S (anodized aluminum finish)
CPLGTX-SP (painted finish)



The CPLGTX-S & CPLGTX-SP are Architectural Louvers available in anodized aluminum or a painted baked enamel finish. These Louvers are sleeve mounted and recommended to be installed during the installation of the CPWS. (See page 8)



HEATING & A/C EQUIPMENT

National Comfort Products

A Division of National Refrigeration and Air Conditioning Products, Inc.

539 Dunksferry Road • Bensalem, PA 19020-5908

(800) 523-7138

www.nationalcomfortproducts.com

