



Thru-the-Wall Comfort for all types of Multi-Family Construction

Comfort Pack with 80% Gas Heat Submittal Data

For Approval

Project:

Purchaser:

Date:

up to 80% AFUE | 11.7 SEER2

Go Thru-the-Wall



National Comfort Products
A Division of National Refrigeration and Air Conditioning Products, Inc.
539 Dunksferry Road • Bensalem, PA 19020-5908
(800) 523-7138 • Fax (215) 639-1674
www.nationalcomfortproducts.com



HEATING & A/C EQUIPMENT

Project:

Gas Heat Models

Plan Designation	Quantity	Model	Description	Page
		CP841228UA	Comfort Pack U-Series R410A 1.0 ton cooling, 28MBH gas input, 208-230/1/60, 80% AFUE/11.7 SEER2	5
		CP841238UA	Comfort Pack U-Series R410A 1.0 ton cooling, 38MBH gas input, 208-230/1/60, 80% AFUE/11.7SEER2	5
		CP841828UA	Comfort Pack U-Series R410A 1.5 ton cooling, 28MBH gas input, 208-230/1/60, 80% AFUE/11.7 SEER2	5
		CP841838UA	Comfort Pack U-Series R410A 1.5 ton cooling, 38MBH gas input, 208-230/1/60, 80% AFUE/11.7 SEER2	5
		CP841851UA	Comfort Pack U-Series R410A 1.5 ton cooling, 51MBH gas input, 208-230/1/60, 80% AFUE/11.7 SEER2	5
		CP841864UA	Comfort Pack U-Series R410A 1.5 ton cooling, 64MBH gas input, 208-230/1/60, 80% AFUE/11.7 SEER2	5
		CP842428UA	Comfort Pack U-Series R410A 2.0 ton cooling, 28MBH gas input, 208-230/1/60, 80% AFUE/11.7 SEER2	5
		CP842438UA	Comfort Pack U-Series R410A 2.0 ton cooling, 38MBH gas input, 208-230/1/60, 80% AFUE/11.7 SEER2	5
		CP842451UA	Comfort Pack U-Series R410A 2.0 ton cooling, 51MBH gas input, 208-230/1/60, 80% AFUE/11.7 SEER2	5
		CP842464UA	Comfort Pack U-Series R410A 2.0 ton cooling, 64MBH gas input, 208-230/1/60, 80% AFUE/11.7 SEER2	5
		CP843051TA*	Comfort Pack T-Series R410A 2.5 ton cooling, 51MBH gas input, 208-230/1/60, 80% AFUE/11.7 SEER2	6
		CP843064TA*	Comfort Pack T-Series R410A 2.5 ton cooling, 64MBH gas input, 208-230/1/60, 80% AFUE/11.7 SEER2	6

*Please see page 6 for T-Series Dimensions

Options

Plan Designation	Quantity	Part No.	Description	Page
		CPWS	Comfort Pack Wall Sleeve	7
		CPSG-P	Comfort Pack U-Series Stamped Grille Painted	8
		CPLG	Comfort Pack U-Series Architectural Louver Grille	9
		CPLG-S	Comfort Pack U-Series Architectural Louver Grille for Sleeve (Attaches to Wall Sleeve Only)	10
		CPLG-P	Comfort Pack U-Series Architectural Louver Grille Painted (Attaches to Units Only)	9
		CPLG-SP	Comfort Pack U-Series Architectural Louver Grille Sleeve Painted (Attaches to Wall Sleeve Only)	10
		CPSGT-P	Comfort Pack T-Series Stamped Grille Painted	11
		CPLGT	Comfort Pack T-Series Architectural Louver Grille	12
		CPLGT-S	Comfort Pack T-Series Architectural Louver Grille for Sleeve (Attaches to Wall Sleeve Only)	13
		CPLGT-P	Comfort Pack T-Series Architectural Louver Grille Painted (Attaches to Units Only)	12
		CPLGT-SP	Comfort Pack T-Series Architectural Louver Grille Sleeve Painted (Attaches to Wall Sleeve Only)	13
		A	Standard	NA
		B	Slotted Filter Door	5
		C	without Rear Grille	NA
		D	Both B & C	NA
		14208343	LP Kit (38 MBTU)	NA
		14208344	LP Kit (51 MBTU)	NA
		14208345	LP Kit (64 MBTU)	NA



HEATING & A/C EQUIPMENT

Project:

Performance Data

11.7 SEER2 – 80% AFUE						
Model	Nominal Cooling Tons	Cooling Btuh	Sensible Btuh	Heating Btuh INPUT	Heating Btuh OUTPUT	Shipping Weight (lbs.)
CP841228UA	1	12,000	8,700	28,000	22,400	315
CP841238UA	1	12,000	8,700	38,000	30,400	315
CP841828UA	1.5	17,300	13,000	28,000	22,400	325
CP841838UA	1.5	17,300	13,000	38,000	30,400	325
CP841851UA	1.5	17,300	13,000	51,000	40,800	325
CP841864UA	1.5	17,300	13,000	64,000	51,200	325
CP842428UA	2	21,600	15,600	28,000	22,400	350
CP842438UA	2	21,600	15,600	38,000	30,400	350
CP842451UA	2	21,600	15,600	51,000	40,800	350
CP842464UA	2	21,600	15,600	64,000	51,200	350
CP843051TA*	2.5	27,000	19,600	51,000	40,800	365
CP843064TA*	2.5	27,000	19,600	64,000	51,200	365

Electrical Data

Model	Voltage	Compressor		Condenser Motor			Blower		Total Amps	MCA	MOP
		RLA	LRA	HP	RLA	LRA	HP	RLA			
CP841228UA	208-230/60/1	4.7	29.5	1/4	2.4	-	1/3	3.0	10.1	11.3	15
CP841238UA	208-230/60/1	4.7	29.5	1/4	2.4	-	1/3	3.0	10.1	11.3	15
CP841828UA	208-230/60/1	6.5	37.5	1/4	1.83	3.6	1/3	3.0	11.3	13.0	15
CP841838UA	208-230/60/1	6.5	37.5	1/4	1.83	3.6	1/3	3.0	11.3	13.0	15
CP841851UA	208-230/60/1	6.5	37.5	1/4	1.83	3.6	1/3	3.0	11.3	13.0	15
CP841864UA	208-230/60/1	6.5	37.5	1/4	1.83	3.6	1/3	3.0	11.3	13.0	15
CP842428UA	208-230/60/1	8.4	37.0	1/4	2.4	-	1/2	3.9	14.7	16.8	25
CP842438UA	208-230/60/1	8.4	37.0	1/4	2.4	-	1/2	3.9	14.7	16.8	25
CP842451UA	208-230/60/1	8.4	37.0	1/4	2.4	-	1/2	3.9	14.7	16.8	25
CP842464UA	208-230/60/1	8.4	37.0	1/4	2.4	-	1/2	3.9	14.7	16.8	25
CP843051TA*	208-230/60/1	13.5	72.5	1/4	2.4	-	1/2	3.9	19.8	23.2	35
CP843064TA*	208-230/60/1	13.5	72.5	1/4	2.4	-	1/2	3.9	19.8	23.2	35

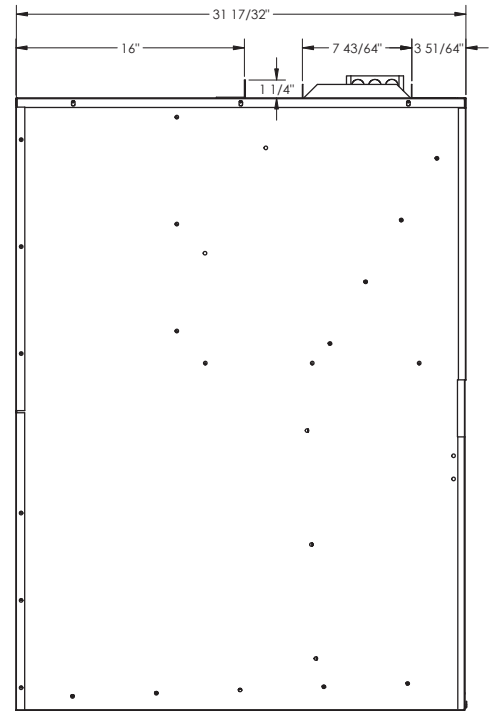
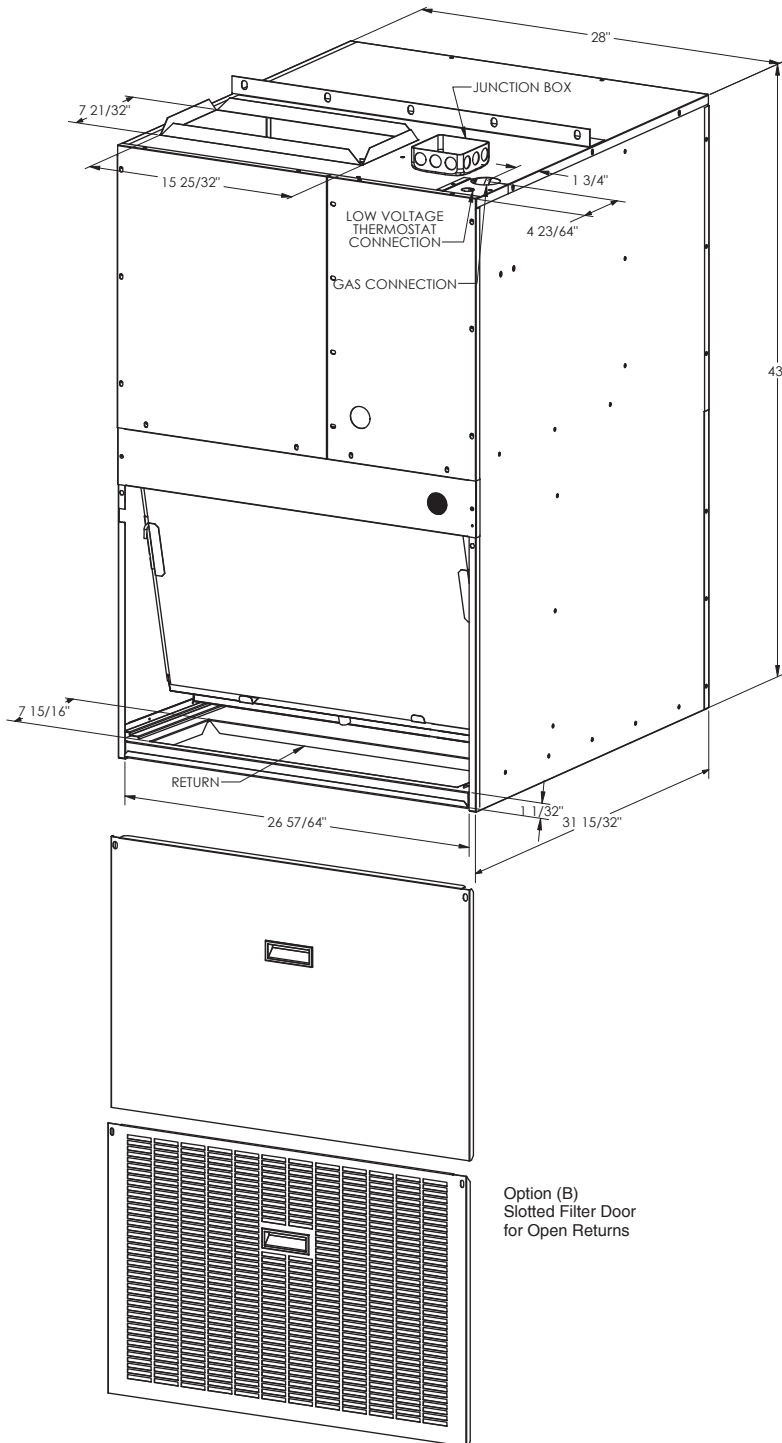
All specifications are subject to change without notice.

Air Flow Data

Models	Color	Speed Tap	ESP (in. wc) / CFM				
			0.1	0.2	0.3	0.4	0.5
CP8412**UA	Red	1	760	745	730	715	700
	Yellow	2	650	640	630	615	600
	Blue	3	560	535	520	510	500
	Black	4	440	425	410	390	370
	Orange	5	390	360	330	310	290
CP8418**UA	Red	1	760	745	730	715	700
	Yellow	2	650	640	630	615	600
	Blue	3	560	535	520	510	500
	Black	4	440	425	410	390	370
	Orange	5	390	360	330	310	290
CP8424**UA	Red	1	870	850	830	810	790
	Yellow	2	760	745	730	715	690
	Blue	3	680	665	650	630	610
	Black	4	590	565	540	525	510
	Orange	5	440	425	410	400	390
CP8430**TA	Red	1	1000	975	950	930	910
	Yellow	2	840	830	800	775	750
	Blue	3	760	730	710	690	660
	Black	4	635	610	580	560	530
	Orange	5	520	430	375	310	-

Project:

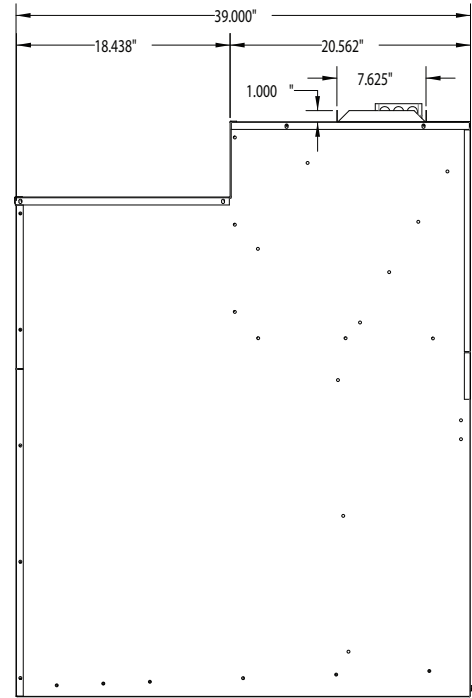
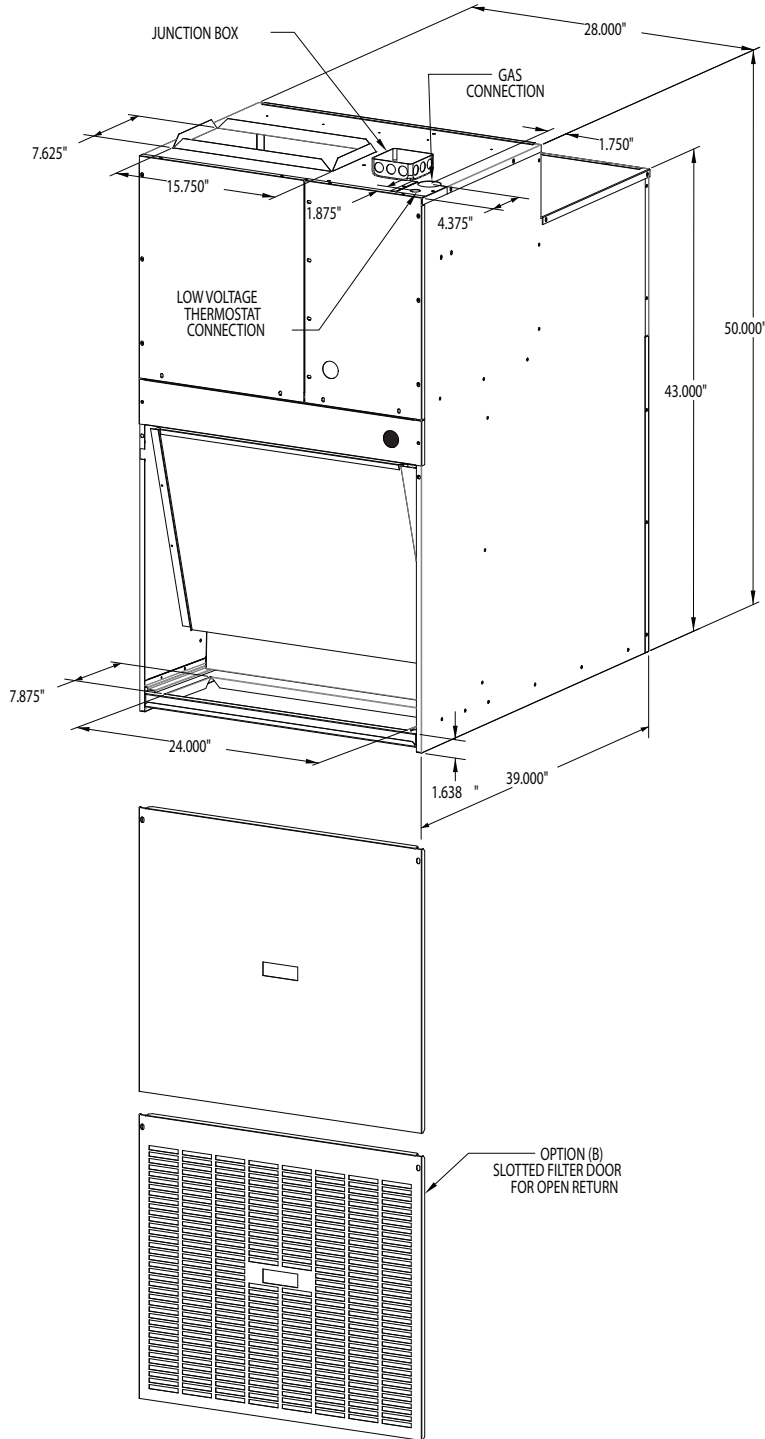
Comfort Pack with 80% Gas Heat - U Series



Side view

Project:

Comfort Pack with 80% Gas Heat - T Series

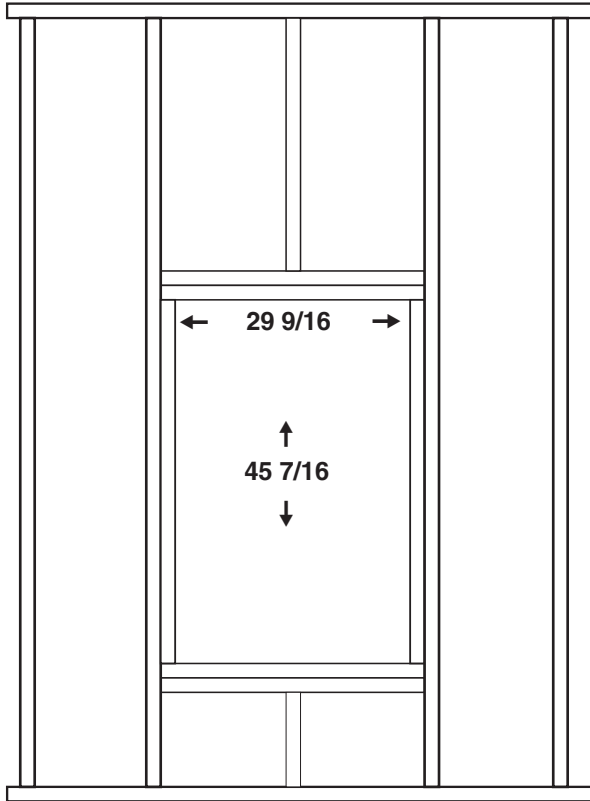


Side view

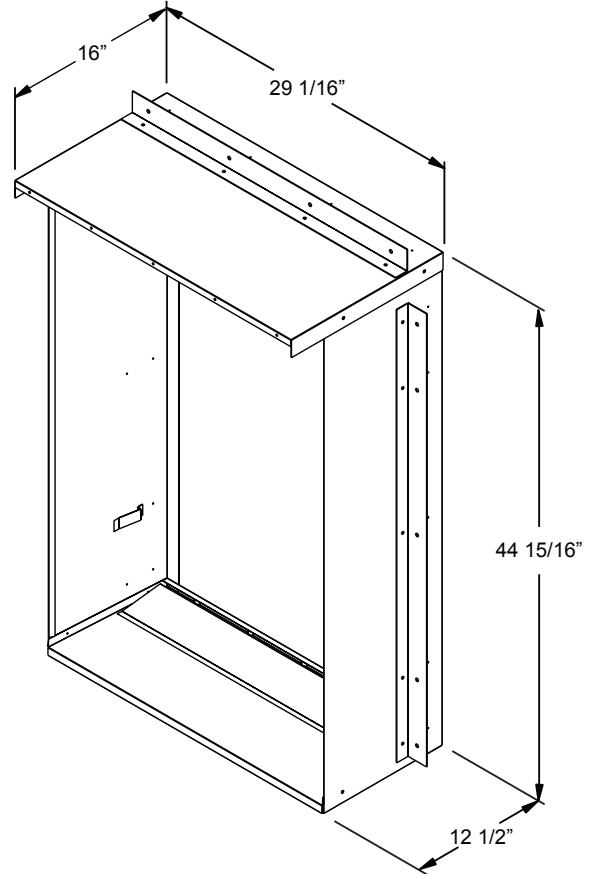
Wall Sleeve

CPWS

Rough In Dimensions



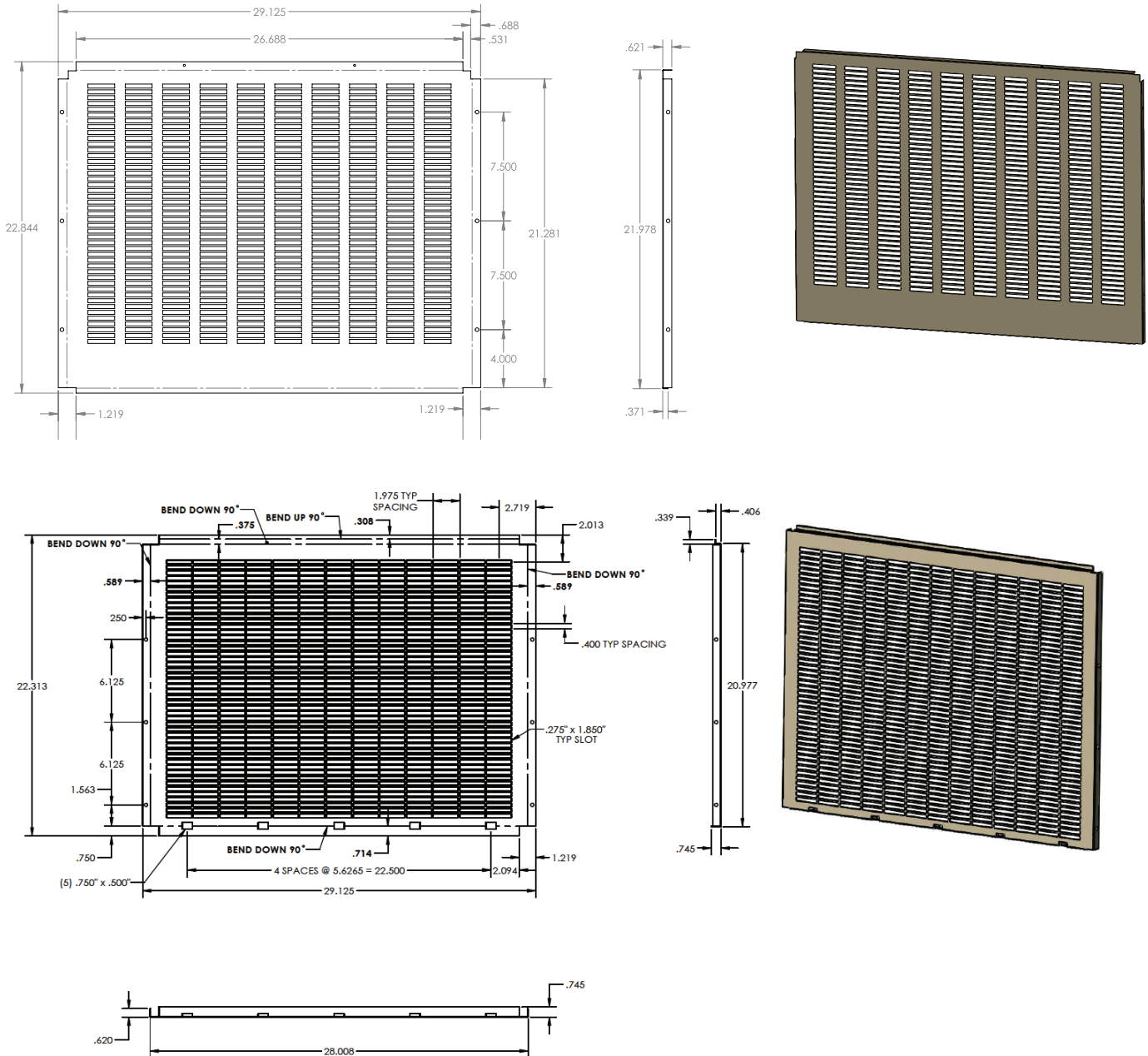
Actual Wall Sleeve Dimensions



Project:

**U-Series
Powder Coated Standard Louver (Sleeve Mounted)**

CPSG-P



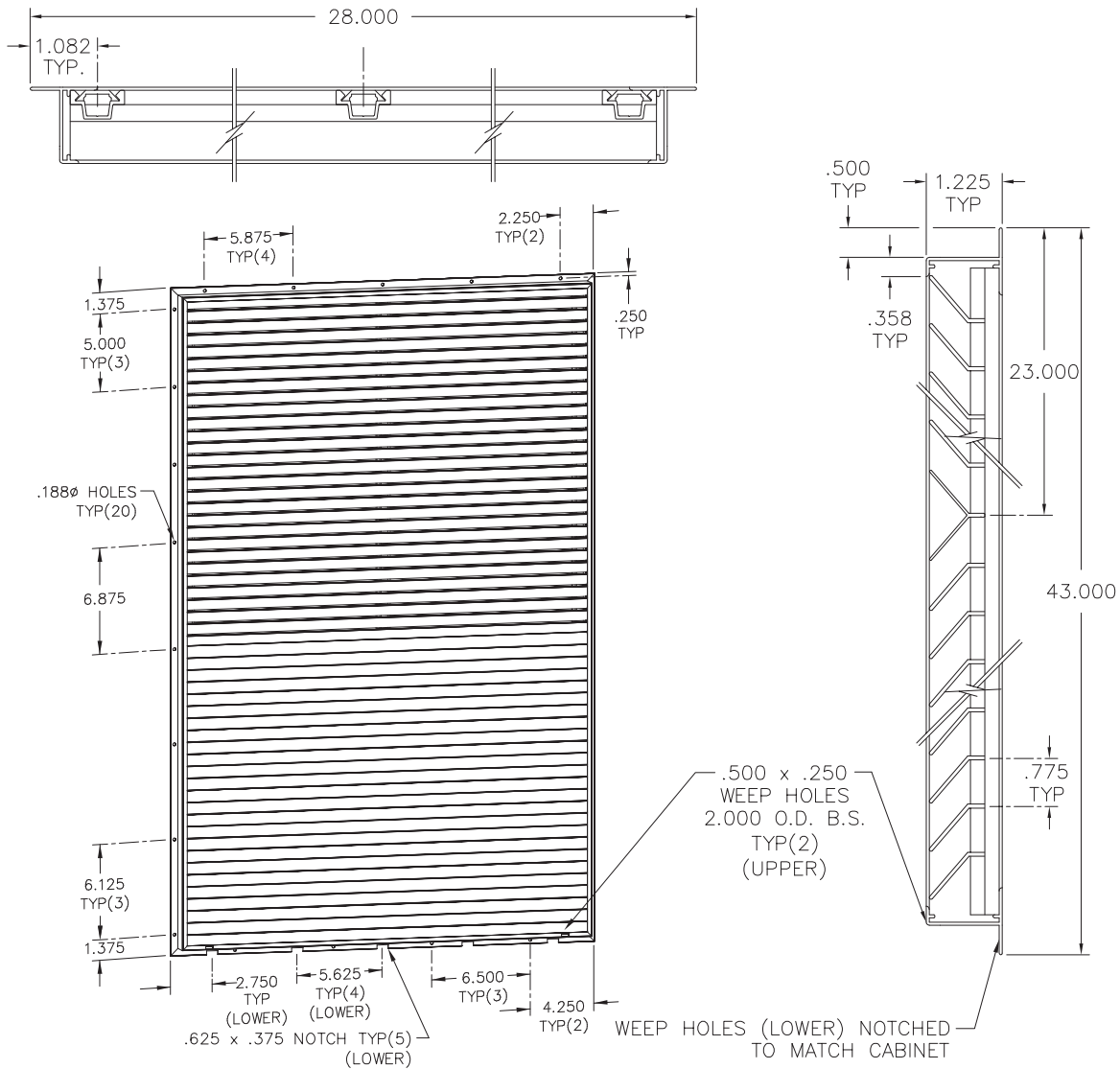
The CPSG-P version is a powder coated galvanized metal. It mounts to the Wall Sleeve and is recommended to be installed during the installation of the CPWS. (See page 7)

Project:

**U-Series
Architectural Louver (Unit Mounted)**

CPLG (anodized aluminum finish)

CPLG-P (painted finish)



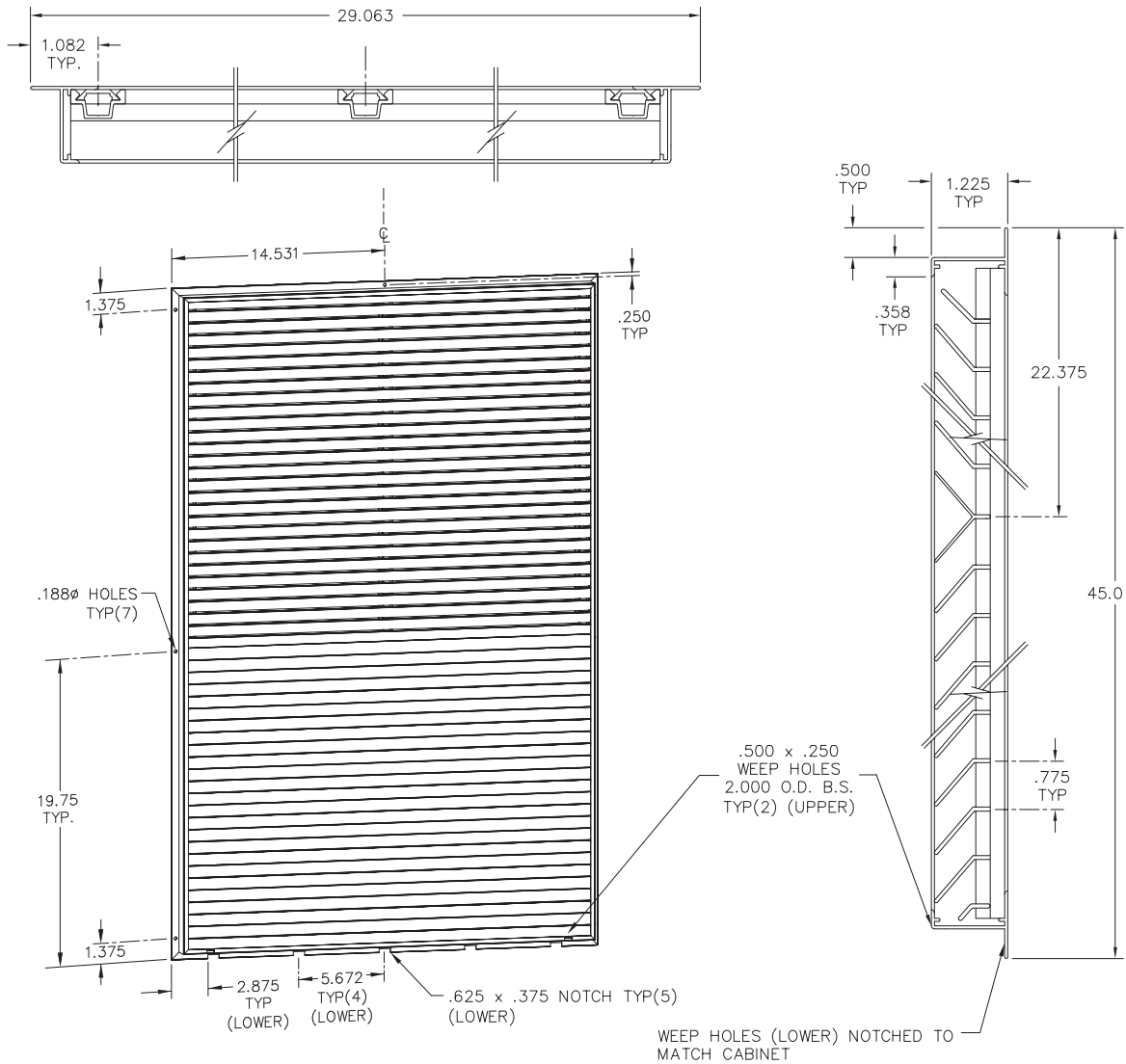
The CPLG & CPLG-P are Architectural Louvers available in anodized aluminum or a painted baked enamel finish. These Louvers are unit mounted.

Project:

**U-Series
Architectural Louver (Sleeve Mounted)**

CPLG-S (anodized aluminum finish)

CPLG-SP (painted finish)

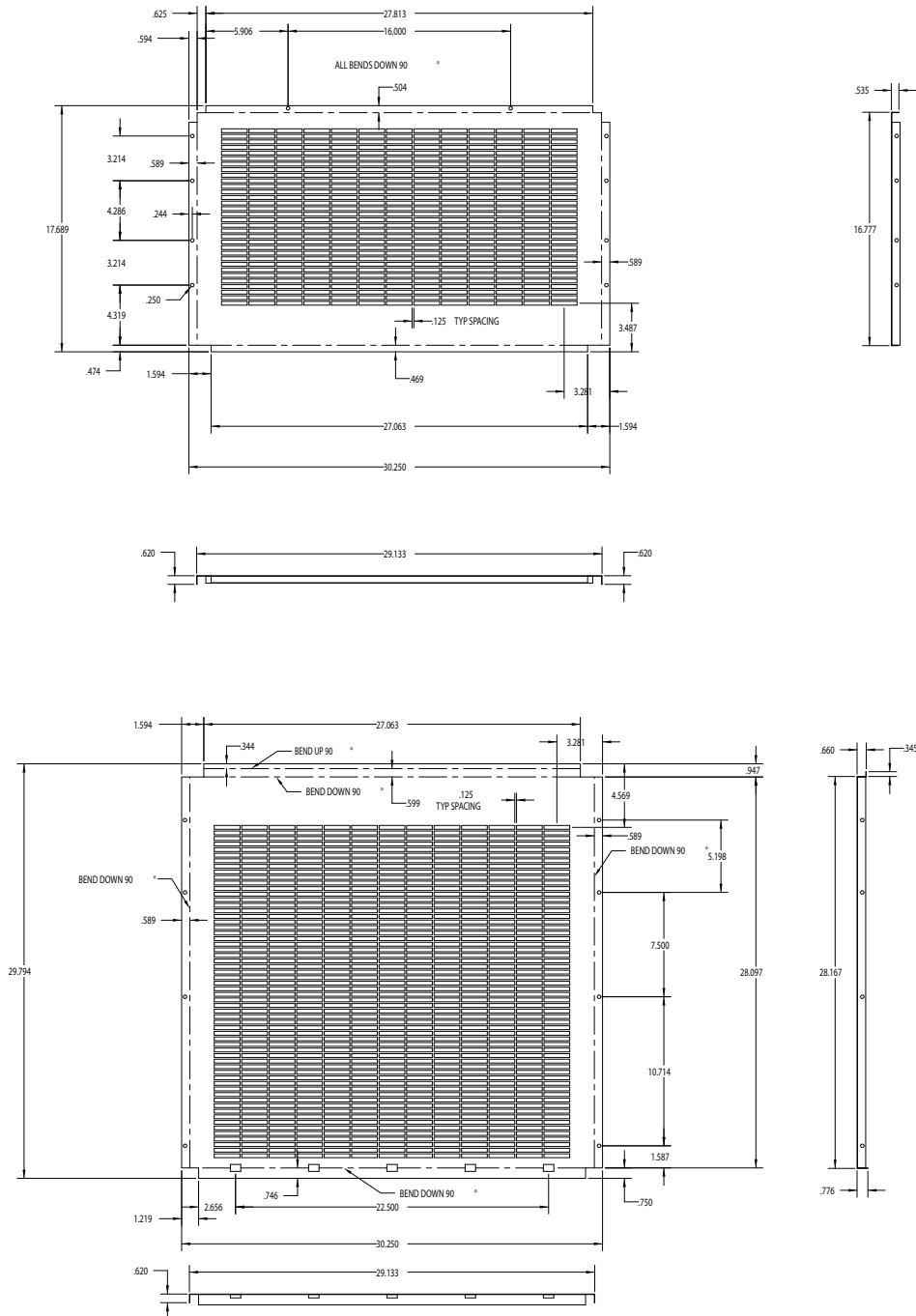


The CPLG-S & CPLG-SP are Architectural Louvers available in anodized aluminum or a painted baked enamel finish. These Louvers are sleeve mounted and recommended to be installed during the installation of the CPWS. (See page 7)

Project:

T-Series
Powder Coated Standard Louver (Sleeve Mounted)

CPSGT-P



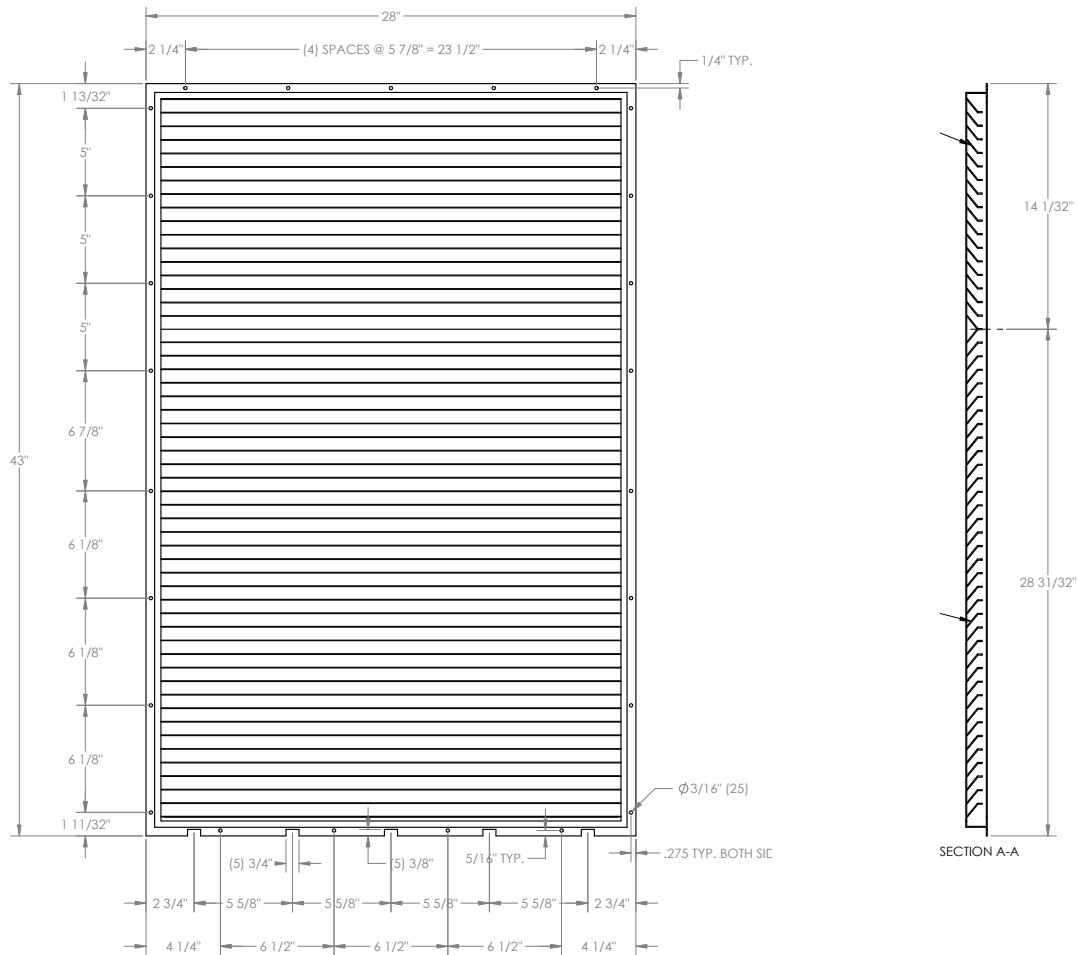
The CPSGT-P version is a powder coated galvanized metal. It mounts to the Wall Sleeve and is recommended to be installed during the installation of the CPWS. (See page 7)

Project:

T-Series*
Architectural Louver (Unit Mounted)

CPLGT (anodized aluminum finish)

CPLGT-P (painted finish)



***Updates Coming Soon. Specifications Subject to Change.**

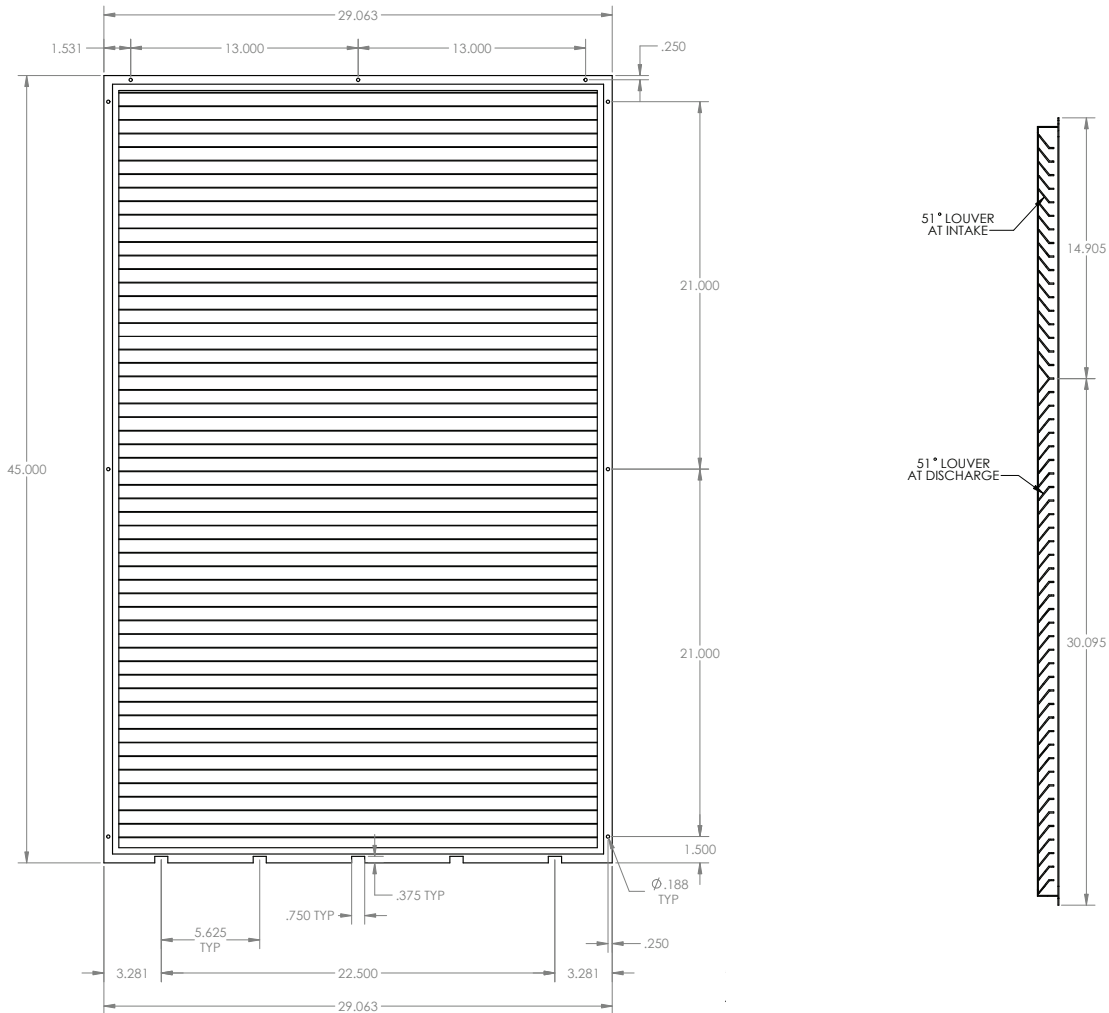
The CPLGT & CPLGT-P are Architectural Louvers available in anodized aluminum or a painted baked enamel finish. These Louvers are unit mounted.

Project:

**T-Series*
Architectural Louver (Sleeve Mounted)**

CPLGT-S (anodized aluminum finish)

CPLGT-SP (painted finish)



***Updates Coming Soon. Specifications Subject to Change.**

The CPLGT-S & CPLGT-SP are Architectural Louvers available in anodized aluminum or a painted baked enamel finish. These Louvers are sleeve mounted and recommended to be installed during the installation of the CPWS. (See page 7)

**NATIONAL[®]
COMFORT
PRODUCTS**

HEATING & A/C EQUIPMENT

National Comfort Products
A Division of National Refrigeration and Air Conditioning Products, Inc.
539 Dunksferry Road • Bensalem, PA 19020-5908
(800) 523-7138 • Fax (215) 639-1674
www.nationalcomfortproducts.com

5 YEAR
WARRANTY
ON PARTS

5 YEAR
WARRANTY
COMPRESSOR

20 YEAR
WARRANTY
HEAT EXCHANGER


Intertek
53533

AHRI CERTIFIED[®]
www.ahridirectory.org