



Thru-the-Wall Comfort for all types of Multi-Family Construction

**Comfort Pack with 80% Gas Heat
Submittal Data**

For Approval

Project:

Purchaser:

Date:

up to 80% AFUE | 11.7 SEER2



National Comfort Products
A Division of National Refrigeration and Air Conditioning Products, Inc.
539 Dunksferry Road • Bensalem, PA 19020-5908
(800) 523-7138
www.nationalcomfortproducts.com

Go Thru-the-Wall



HEATING & A/C EQUIPMENT

Project:

Gas Heat Models

| Plan Designation | Quantity | Model | Description | Page |
|------------------|----------|-------------|---|------|
| | | CP840928UB | Comfort Pack U-Series R410A 0.75 ton cooling, 28MBH gas input, 208-230/1/60, 80% AFUE/11.7SEER2 | 5 |
| | | CP841228UB | Comfort Pack U-Series R410A 1.0 ton cooling, 28MBH gas input, 208-230/1/60, 80% AFUE/11.7 SEER2 | 5 |
| | | CP841238UB | Comfort Pack U-Series R410A 1.0 ton cooling, 38MBH gas input, 208-230/1/60, 80% AFUE/11.7SEER2 | 5 |
| | | CP841828UB | Comfort Pack U-Series R410A 1.5 ton cooling, 28MBH gas input, 208-230/1/60, 80% AFUE/11.7 SEER2 | 5 |
| | | CP841838UB | Comfort Pack U-Series R410A 1.5 ton cooling, 38MBH gas input, 208-230/1/60, 80% AFUE/11.7 SEER2 | 5 |
| | | CP841851UB | Comfort Pack U-Series R410A 1.5 ton cooling, 51MBH gas input, 208-230/1/60, 80% AFUE/11.7 SEER2 | 5 |
| | | CP841864UB | Comfort Pack U-Series R410A 1.5 ton cooling, 64MBH gas input, 208-230/1/60, 80% AFUE/11.7 SEER2 | 5 |
| | | CP842428UB | Comfort Pack U-Series R410A 2.0 ton cooling, 28MBH gas input, 208-230/1/60, 80% AFUE/11.7 SEER2 | 5 |
| | | CP842438UB | Comfort Pack U-Series R410A 2.0 ton cooling, 38MBH gas input, 208-230/1/60, 80% AFUE/11.7 SEER2 | 5 |
| | | CP842451UB | Comfort Pack U-Series R410A 2.0 ton cooling, 51MBH gas input, 208-230/1/60, 80% AFUE/11.7 SEER2 | 5 |
| | | CP842464UB | Comfort Pack U-Series R410A 2.0 ton cooling, 64MBH gas input, 208-230/1/60, 80% AFUE/11.7 SEER2 | 5 |
| | | CP843051TB* | Comfort Pack T-Series R410A 2.5 ton cooling, 51MBH gas input, 208-230/1/60, 80% AFUE/11.7 SEER2 | 6 |
| | | CP843064TB* | Comfort Pack T-Series R410A 2.5 ton cooling, 64MBH gas input, 208-230/1/60, 80% AFUE/11.7 SEER2 | 6 |

*Please see page 6 for T-Series Dimensions

Options

| Plan Designation | Quantity | Part No. | Description | Page |
|------------------|----------|----------|---|------|
| | | CPWS | Comfort Pack Wall Sleeve | 7 |
| | | CPSG-P | Comfort Pack U-Series Stamped Grille Painted | 8 |
| | | CPLG | Comfort Pack U-Series Architectural Louver Grille | 9 |
| | | CPLG-S | Comfort Pack U-Series Architectural Louver Grille for Sleeve (Attaches to Wall Sleeve Only) | 10 |
| | | CPLG-P | Comfort Pack U-Series Architectural Louver Grille Painted (Attaches to Units Only) | 9 |
| | | CPLG-SP | Comfort Pack U-Series Architectural Louver Grille Sleeve Painted (Attaches to Wall Sleeve Only) | 10 |
| | | CPSGT-P | Comfort Pack T-Series Stamped Grille Painted | 11 |
| | | CPLGT | Comfort Pack T-Series Architectural Louver Grille | 12 |
| | | CPLGT-S | Comfort Pack T-Series Architectural Louver Grille for Sleeve (Attaches to Wall Sleeve Only) | 13 |
| | | CPLGT-P | Comfort Pack T-Series Architectural Louver Grille Painted (Attaches to Units Only) | 12 |
| | | CPLGT-SP | Comfort Pack T-Series Architectural Louver Grille Sleeve Painted (Attaches to Wall Sleeve Only) | 13 |
| | | A | Standard | NA |
| | | B | Slotted Filter Door | 5 |
| | | C | without Rear Grille | NA |
| | | D | Both B & C | NA |
| | | 14208343 | LP Kit (38 MBTU) | NA |
| | | 14208344 | LP Kit (51 MBTU) | NA |
| | | 14208345 | LP Kit (64 MBTU) | NA |

Performance Data

| 11.7 SEER2 - 80% AFUE | | | | | | |
|-----------------------|----------------------|---------------|----------------|----------------------|-----------------------|-----------------------|
| Model | Nominal Cooling Tons | Cooling Btu/h | Sensible Btu/h | Heater Input (Btu/h) | Heater Output (Btu/h) | Shipping Weight (lbs) |
| CP840928UB | 0.75 | 9,600 | 7,000 | 28,000 | 22,400 | 315 |
| CP841228UB | 1.0 | 12,000 | 8,700 | 28,000 | 22,400 | 315 |
| CP841238UB | 1.0 | 12,000 | 8,700 | 38,000 | 30,400 | 315 |
| CP841828UB | 1.5 | 17,300 | 13,000 | 38,000 | 22,400 | 325 |
| CP841838UB | 1.5 | 17,300 | 13,000 | 38,000 | 30,400 | 325 |
| CP841851UB | 1.5 | 17,300 | 13,000 | 51,000 | 40,800 | 325 |
| CP841864UB | 1.5 | 17,300 | 13,000 | 64,000 | 51,200 | 325 |
| CP842428UB | 2.0 | 21,600 | 15,600 | 28,000 | 22,400 | 350 |
| CP842438UB | 2.0 | 21,600 | 15,600 | 38,000 | 30,400 | 350 |
| CP842451UB | 2.0 | 21,600 | 15,600 | 51,000 | 40,800 | 350 |
| CP842464UB | 2.0 | 21,600 | 15,600 | 64,000 | 51,200 | 350 |
| CP843051TB | 2.5 | 27,000 | 19,600 | 51,000 | 40,800 | 365 |
| CP843064TB | 2.5 | 27,000 | 19,600 | 64,000 | 51,200 | 365 |

Electrical Data

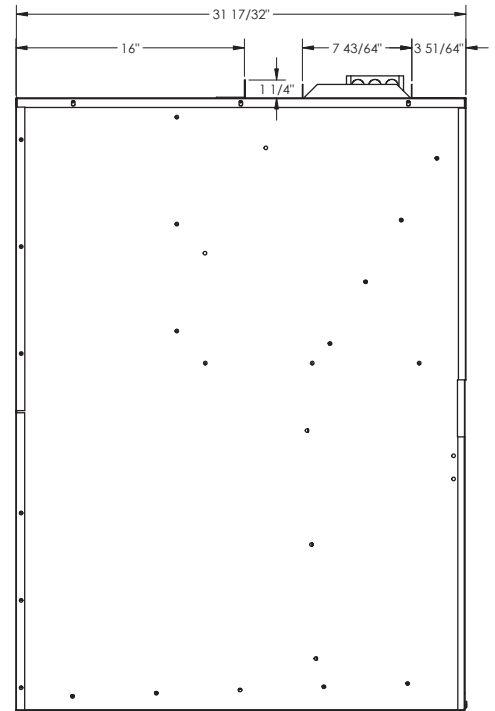
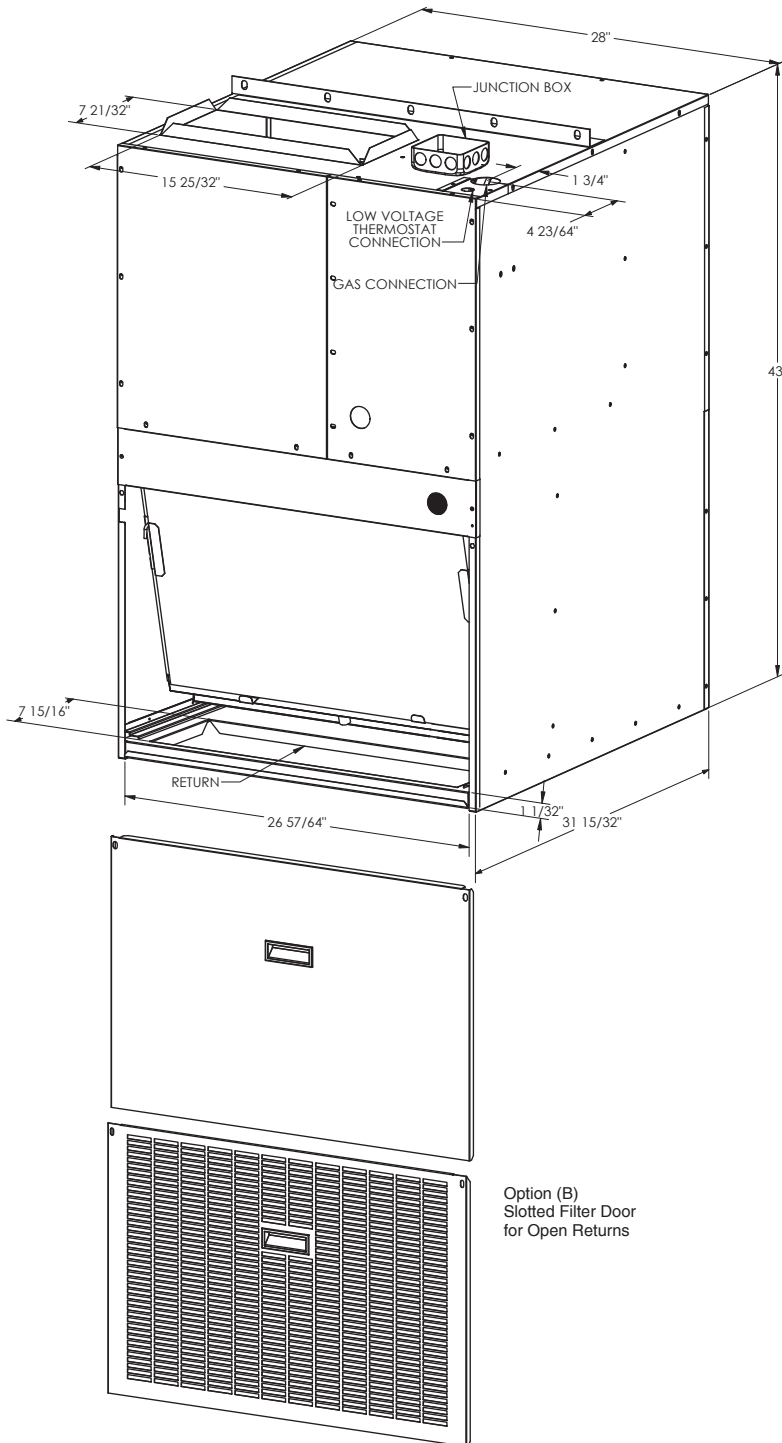
| Model | Voltage | Compressor | | Condenser Motor | | | Blower Motor | | Total Amps | MCA | MOP |
|------------|--------------|------------|------|-----------------|------|-----|--------------|-----|------------|------|-----|
| | | RLA | LRA | HP | FLA | LRA | HP | FLA | | | |
| CP840928UB | 208/230-1-60 | 3.9 | 21.0 | 1/4 | 2.4 | -- | 1/3 | 2.6 | 8.9 | 9.9 | 15 |
| CP841228UB | 208/230-1-60 | 4.7 | 29.5 | 1/4 | 2.4 | -- | 1/3 | 2.6 | 9.7 | 10.9 | 15 |
| CP841238UB | 208/230-1-60 | 4.7 | 29.5 | 1/4 | 2.4 | -- | 1/3 | 2.6 | 9.7 | 10.9 | 15 |
| CP841828UB | 208/230-1-60 | 6.5 | 37.5 | 1/4 | 1.83 | 3.6 | 1/3 | 2.6 | 10.9 | 12.6 | 15 |
| CP841838UB | 208/230-1-60 | 6.5 | 37.5 | 1/4 | 1.83 | 3.6 | 1/3 | 2.6 | 10.9 | 12.6 | 15 |
| CP841851UB | 208/230-1-60 | 6.5 | 37.5 | 1/4 | 1.83 | 3.6 | 1/3 | 2.6 | 10.9 | 12.6 | 15 |
| CP841864UB | 208/230-1-60 | 6.5 | 37.5 | 1/4 | 1.83 | 3.6 | 1/3 | 2.6 | 10.9 | 12.6 | 15 |
| CP842428UB | 208/230-1-60 | 8.4 | 37.0 | 1/4 | 2.4 | -- | 1/2 | 3.8 | 14.6 | 16.7 | 25 |
| CP842438UB | 208/230-1-60 | 8.4 | 37.0 | 1/4 | 2.4 | -- | 1/2 | 3.8 | 14.6 | 16.7 | 25 |
| CP842451UB | 208/230-1-60 | 8.4 | 37.0 | 1/4 | 2.4 | -- | 1/2 | 3.8 | 14.6 | 16.7 | 25 |
| CP842464UB | 208/230-1-60 | 8.4 | 37.0 | 1/4 | 2.4 | -- | 1/2 | 3.8 | 14.6 | 16.7 | 25 |
| CP843051TB | 208/230-1-60 | 14.1 | 67.9 | 1/4 | 2.4 | -- | 1/2 | 3.8 | 20.3 | 23.8 | 35 |
| CP843064TB | 208/230-1-60 | 14.1 | 67.9 | 1/4 | 2.4 | -- | 1/2 | 3.8 | 20.3 | 23.8 | 35 |

Air Flow Data

| Model | Color | Speed Tap | ESP (in. wc)/CFM | | | | |
|------------|--------|-----------|------------------|-----|-----|-----|-----|
| | | | 0.1 | 0.2 | 0.3 | 0.4 | 0.5 |
| CP8409**UB | Red | 1 | 760 | 745 | 730 | 715 | 700 |
| | Yellow | 2 | 650 | 640 | 630 | 615 | 600 |
| | Blue | 3 | 560 | 535 | 520 | 510 | 500 |
| | Black | 4 | 440 | 425 | 410 | 390 | 370 |
| | Orange | 5 | 390 | 360 | 330 | 310 | 290 |
| CP8412**UB | Red | 1 | 760 | 745 | 730 | 715 | 700 |
| | Yellow | 2 | 650 | 640 | 630 | 615 | 600 |
| | Blue | 3 | 560 | 535 | 520 | 510 | 500 |
| | Black | 4 | 440 | 425 | 410 | 390 | 370 |
| | Orange | 5 | 390 | 360 | 330 | 310 | 290 |
| CP8418**UB | Red | 1 | 760 | 745 | 730 | 715 | 700 |
| | Yellow | 2 | 650 | 640 | 630 | 615 | 600 |
| | Blue | 3 | 560 | 535 | 520 | 510 | 500 |
| | Black | 4 | 440 | 425 | 410 | 390 | 370 |
| | Orange | 5 | 390 | 360 | 330 | 310 | 290 |
| CP8424**UB | Red | 1 | 870 | 850 | 830 | 810 | 790 |
| | Yellow | 2 | 760 | 745 | 730 | 715 | 690 |
| | Blue | 3 | 680 | 665 | 650 | 630 | 610 |
| | Black | 4 | 590 | 565 | 540 | 525 | 510 |
| | Orange | 5 | 440 | 425 | 410 | 400 | 390 |
| CP8430**TB | Red | 1 | 1000 | 975 | 950 | 930 | 910 |
| | Yellow | 2 | 840 | 830 | 800 | 775 | 750 |
| | Blue | 3 | 760 | 730 | 710 | 690 | 660 |
| | Black | 4 | 635 | 610 | 580 | 560 | 530 |
| | Orange | 5 | 520 | 430 | 375 | 310 | -- |

Project:

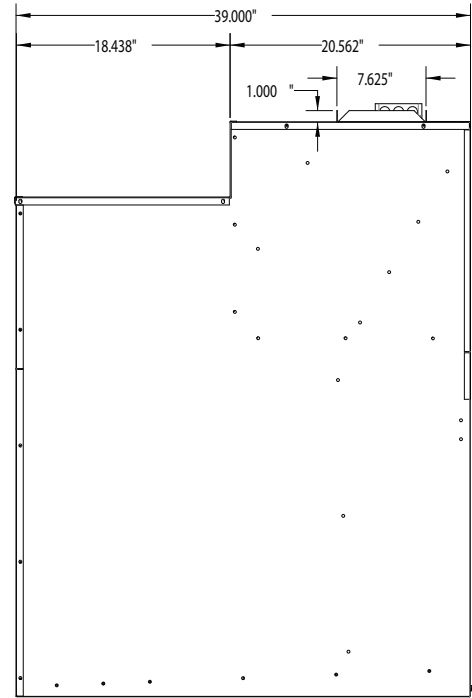
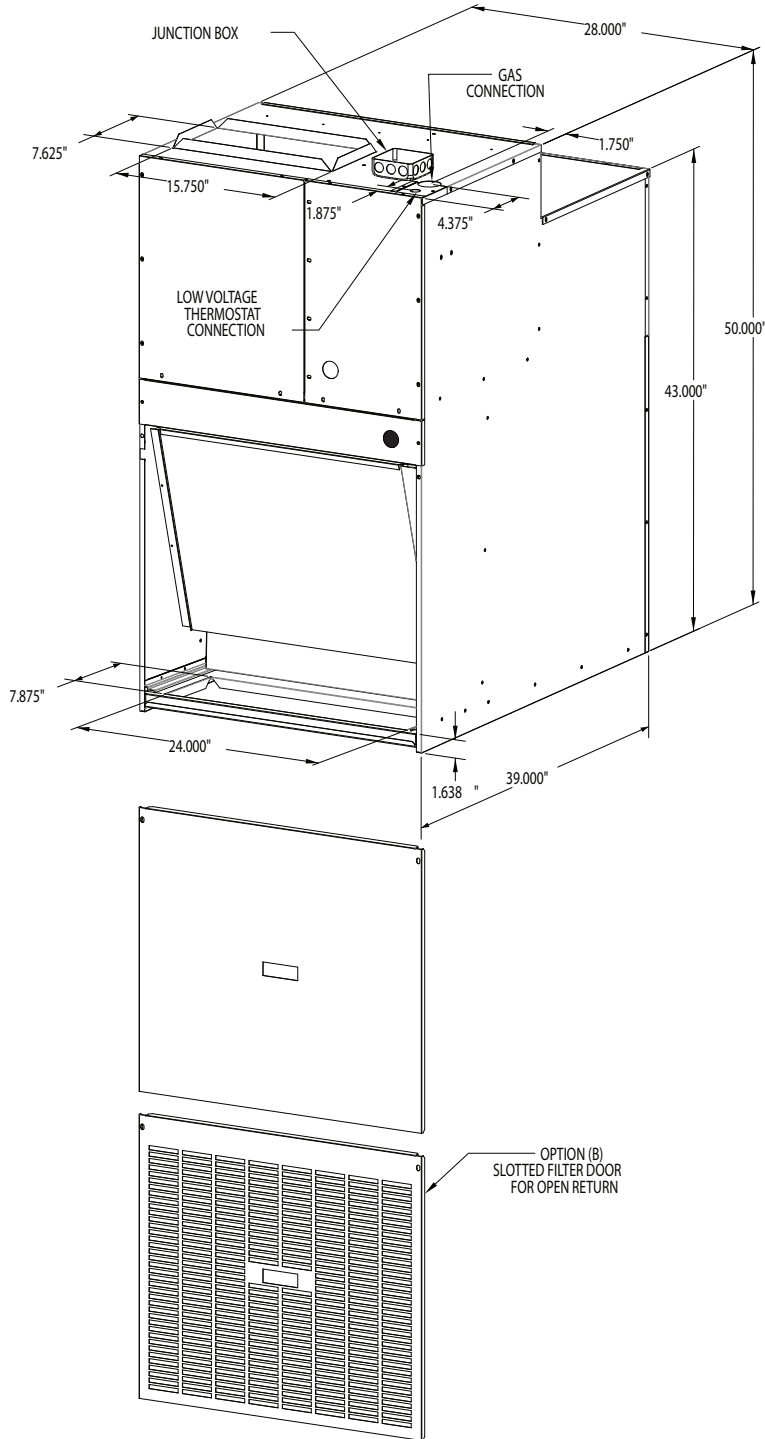
Comfort Pack with 80% Gas Heat - U Series



Side view

Project:

Comfort Pack with 80% Gas Heat - T Series

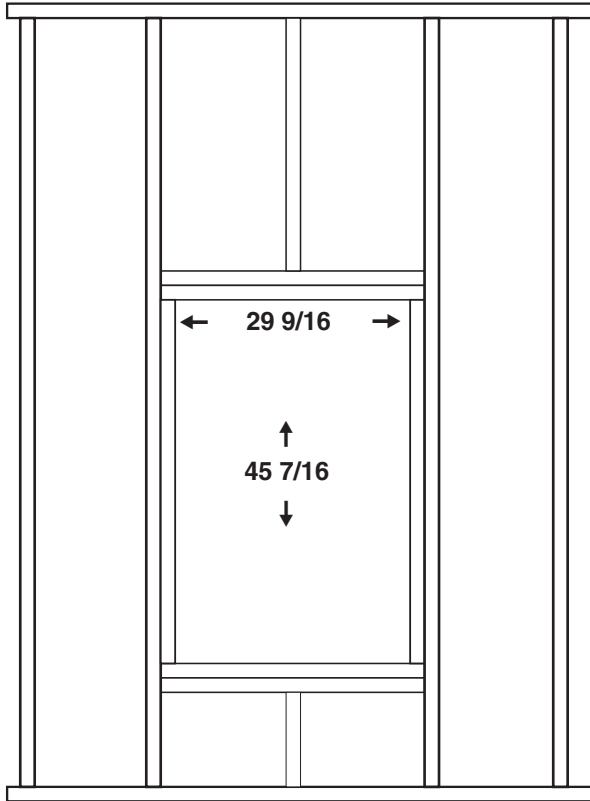


Side view

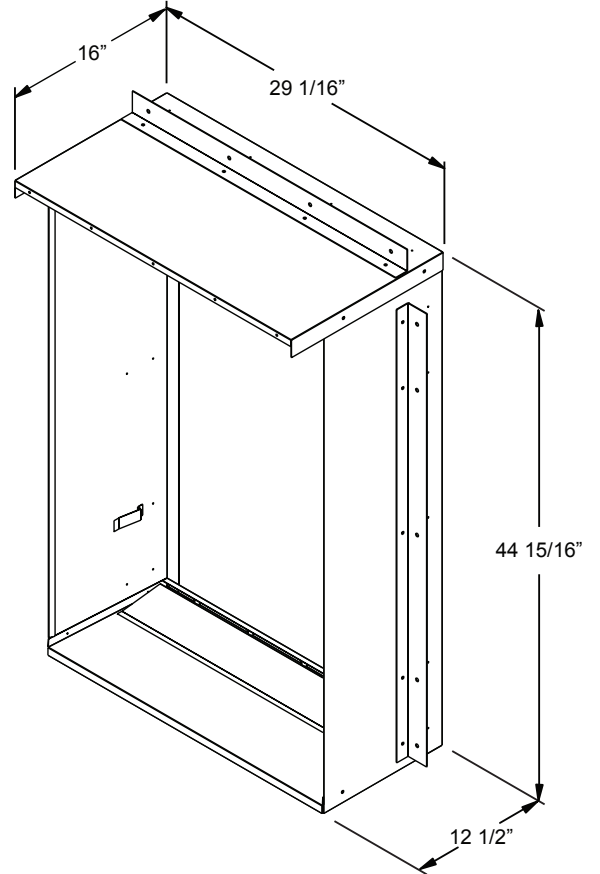
Wall Sleeve

CPWS

Rough In Dimensions

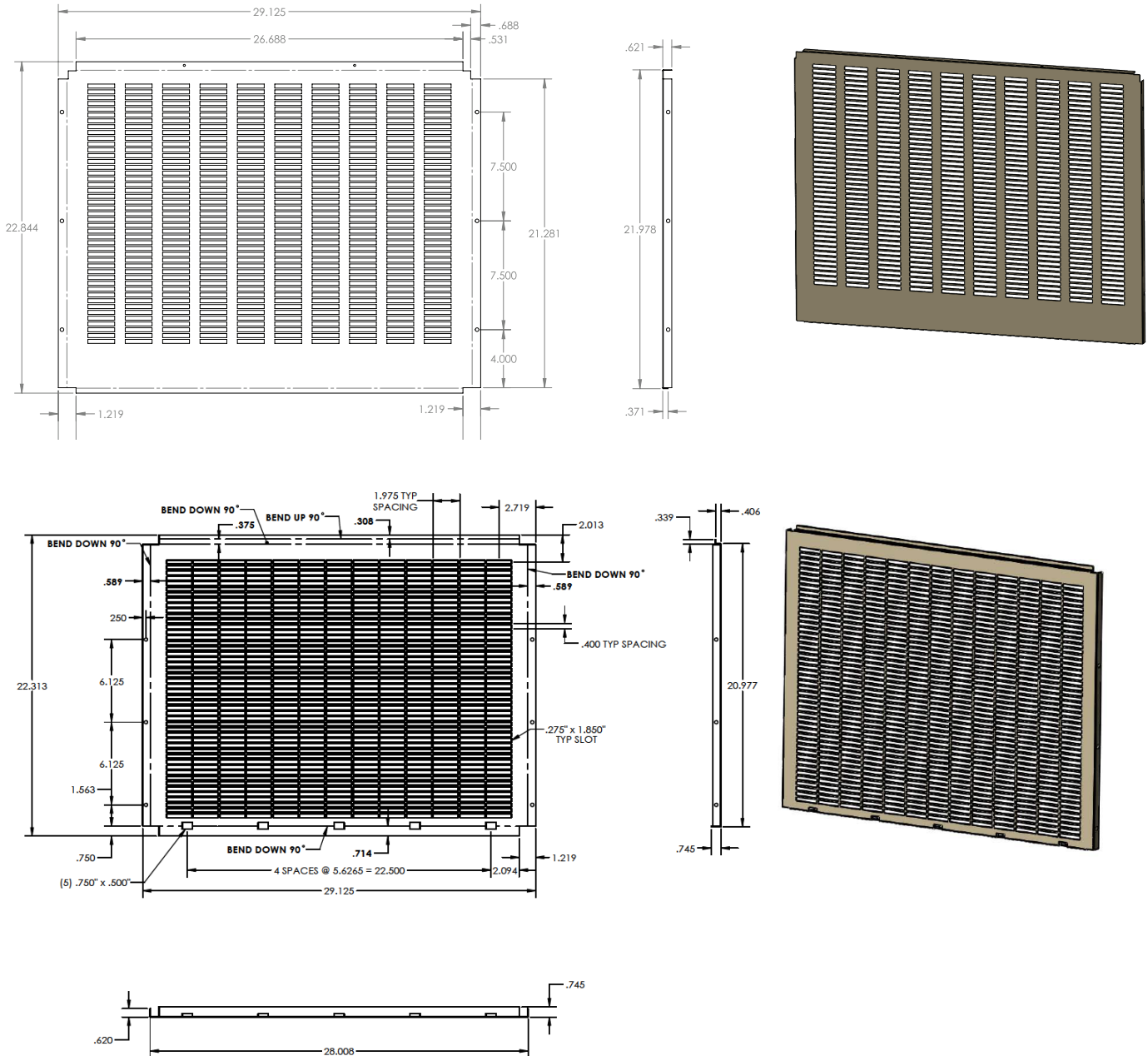


Actual Wall Sleeve Dimensions



**U-Series
Powder Coated Standard Louver (Sleeve Mounted)**

CPSG-P



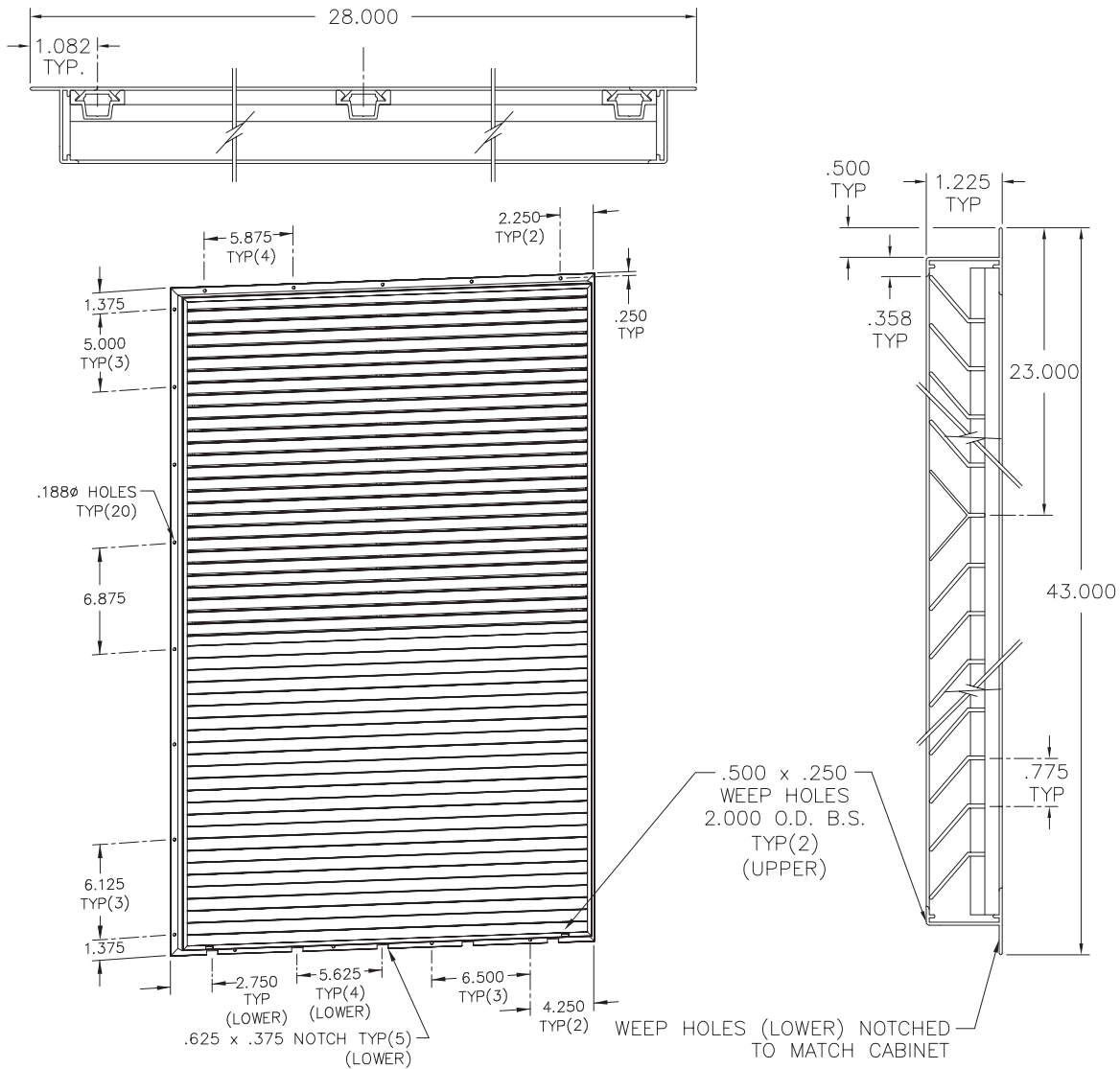
The CPSG-P version is a powder coated galvanized metal. It mounts to the Wall Sleeve and is recommended to be installed during the installation of the CPWS. (See page 7)

Project:

**U-Series
Architectural Louver (Unit Mounted)**

CPLG (anodized aluminum finish)

CPLG-P (painted finish)



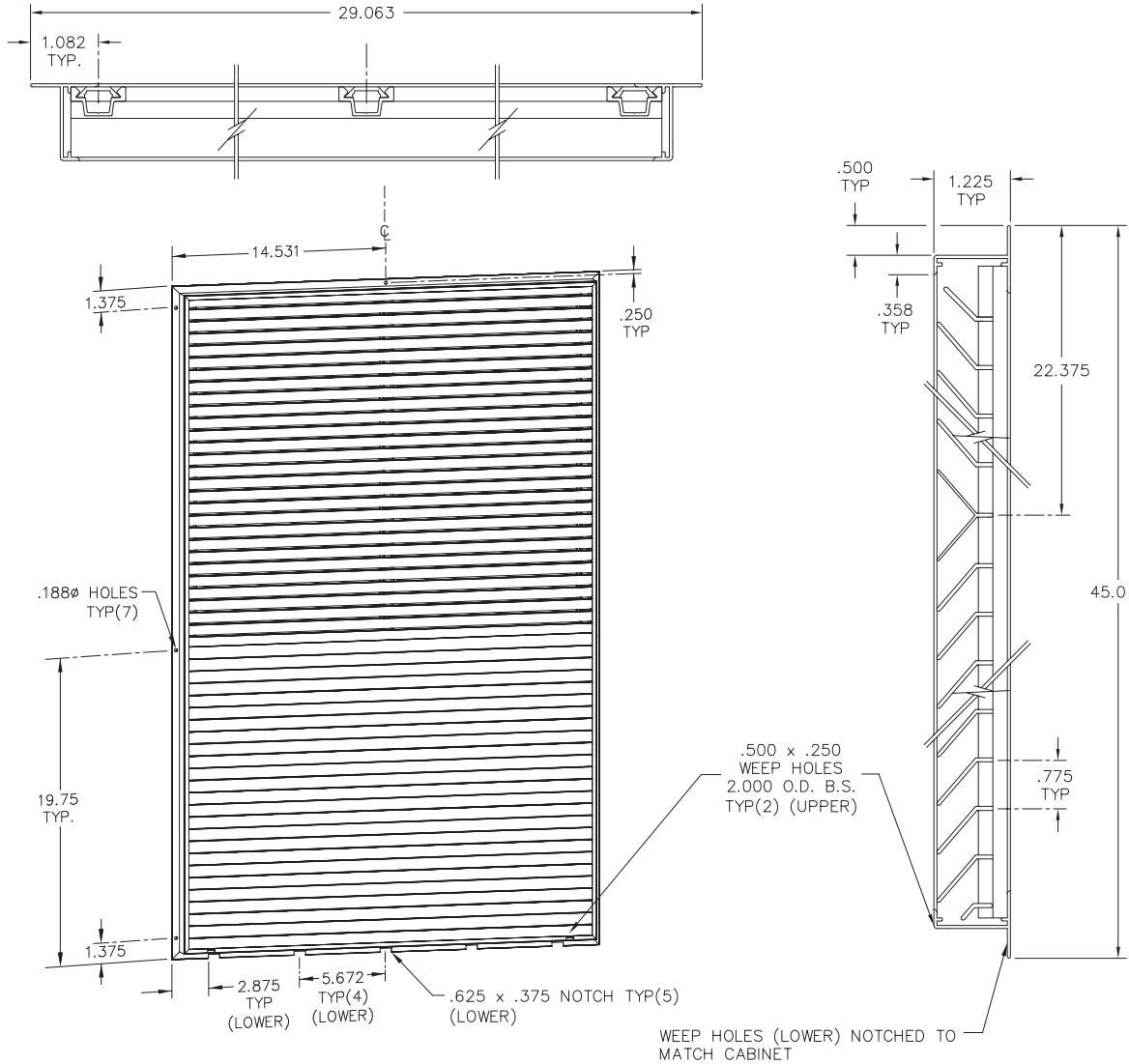
The CPLG & CPLG-P are Architectural Louvers available in anodized aluminum or a painted baked enamel finish. These Louvers are unit mounted.

Project:

**U-Series
Architectural Louver (Sleeve Mounted)**

CPLG-S (anodized aluminum finish)

CPLG-SP (painted finish)

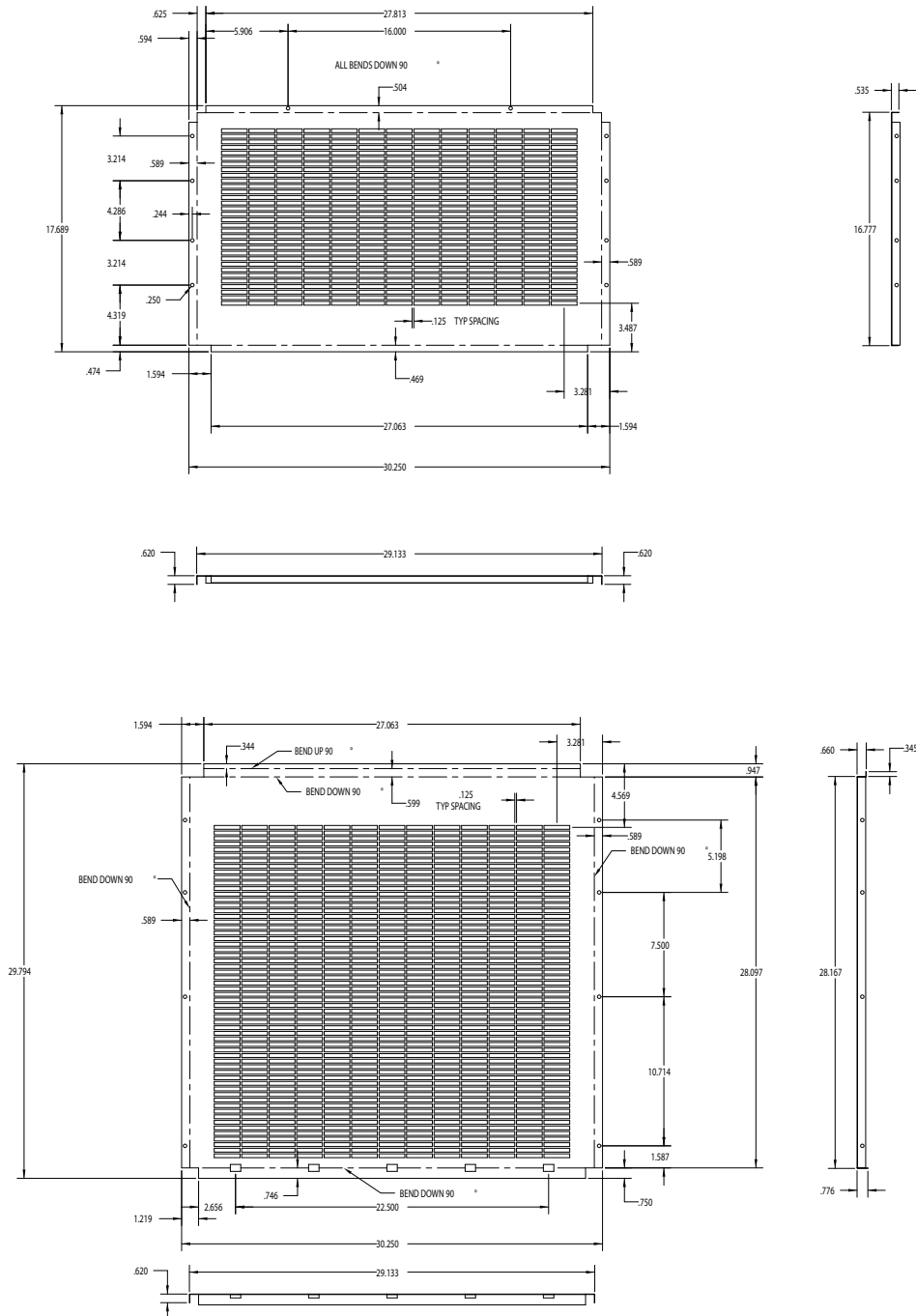


The CPLG-S & CPLG-SP are Architectural Louvers available in anodized aluminum or a painted baked enamel finish. These Louvers are sleeve mounted and recommended to be installed during the installation of the CPWS. (See page 7)

Project:

T-Series
Powder Coated Standard Louver (Sleeve Mounted)

CPSGT-P



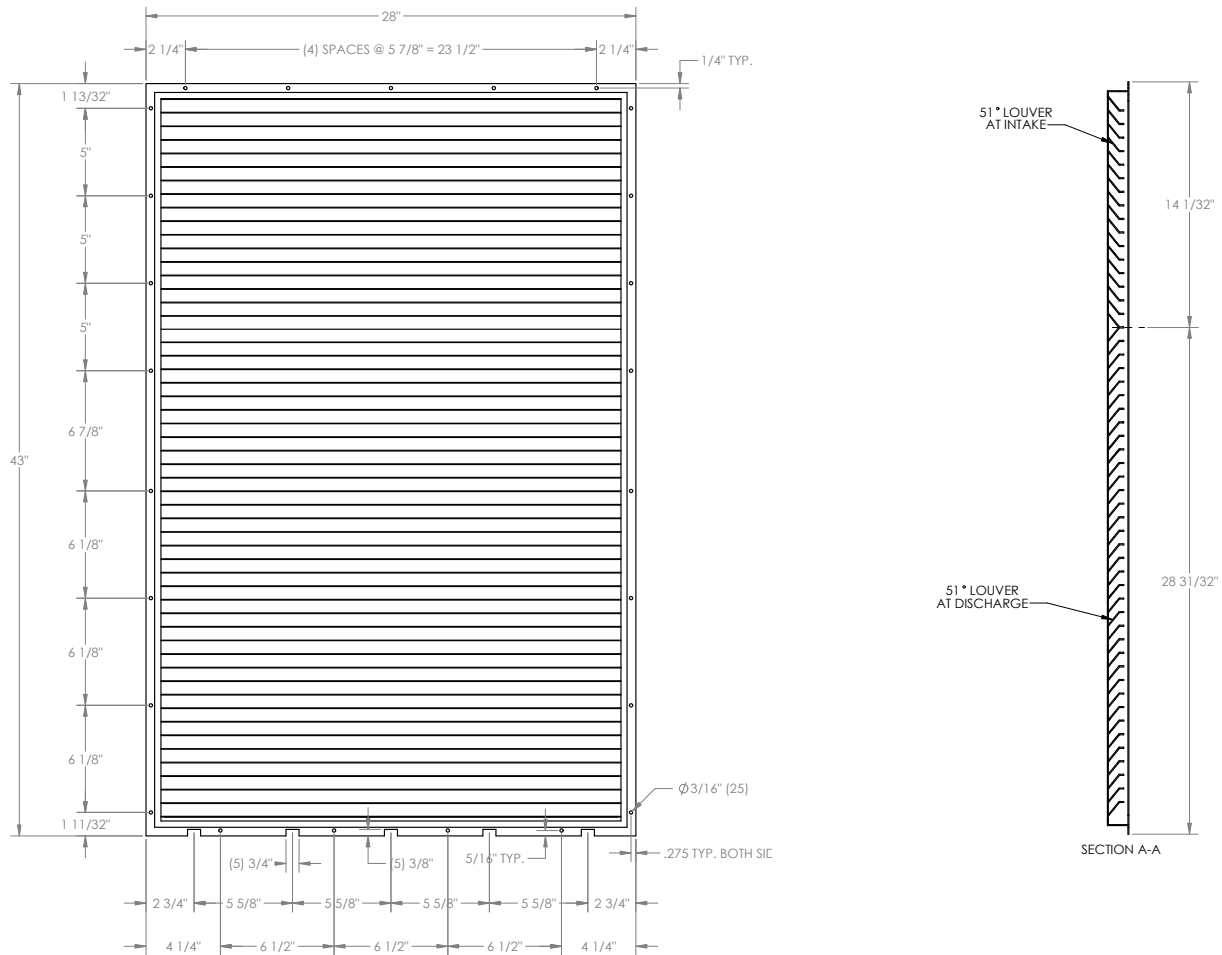
The CPSGT-P version is a powder coated galvanized metal. It mounts to the Wall Sleeve and is recommended to be installed during the installation of the CPWS. (See page 7)

Project:

**T-Series
Architectural Louver (Unit Mounted)**

CPLGT (anodized aluminum finish)

CPLGT-P (painted finish)



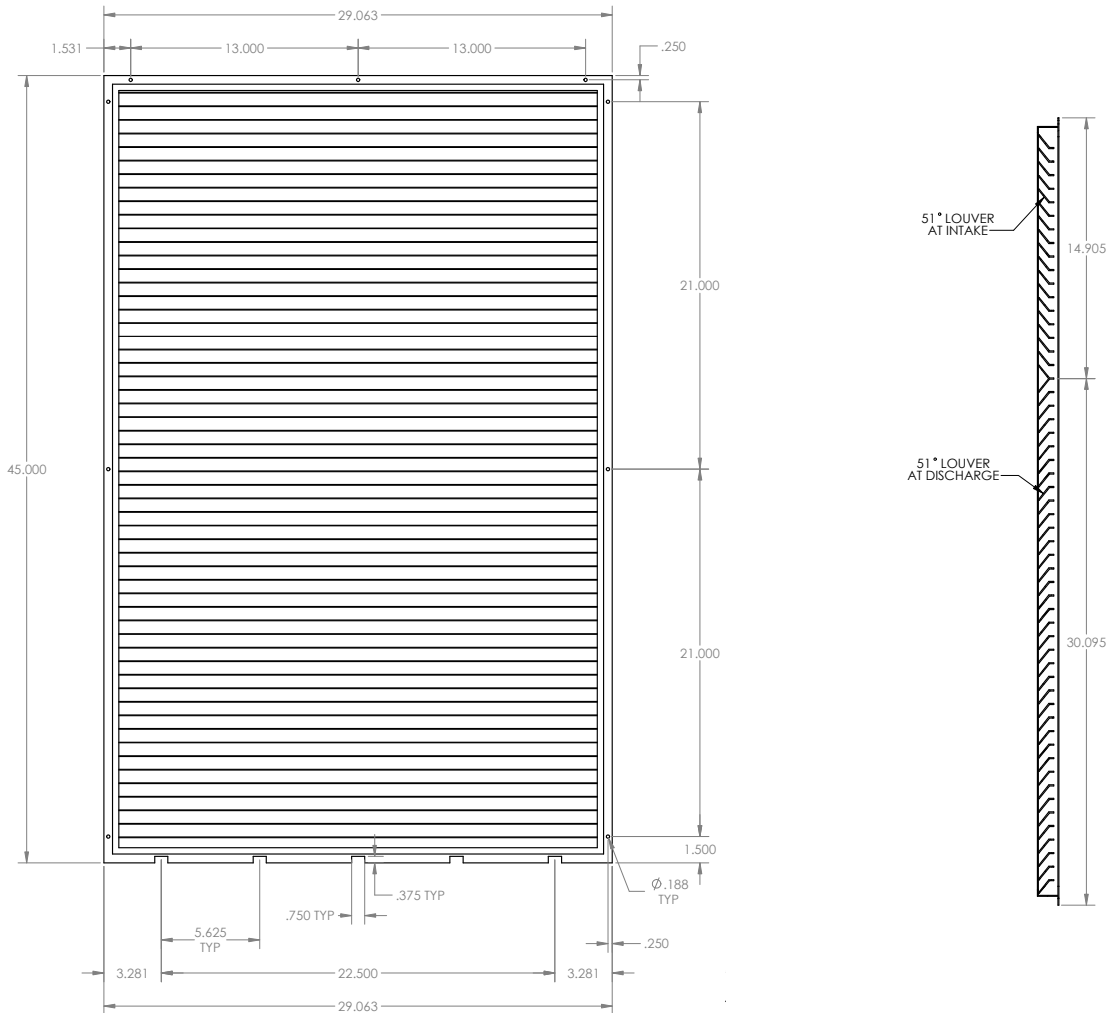
The CPLGT & CPLGT-P are Architectural Louvers available in anodized aluminum or a painted baked enamel finish. These Louvers are unit mounted.

Project:

**T-Series
Architectural Louver (Sleeve Mounted)**

CPLGT-S (anodized aluminum finish)

CPLGT-SP (painted finish)



The CPLGT-S & CPLGT-SP are Architectural Louvers available in anodized aluminum or a painted baked enamel finish. These Louvers are sleeve mounted and recommended to be installed during the installation of the CPWS. (See page 7)

Notes

Lined area for notes with multiple horizontal lines.

**NATIONAL[®]
COMFORT
PRODUCTS**

HEATING & A/C EQUIPMENT

National Comfort Products
A Division of National Refrigeration and Air Conditioning Products, Inc.
539 Dunksferry Road • Bensalem, PA 19020-5908
(800) 523-7138
www.nationalcomfortproducts.com

