



*Thru-the-Wall Comfort for all types of Multi-Family Construction*

## Comfort Pack Electric Heat Submittal Data

For Approval

**Project:**

**Purchaser:**

**Date:**

**11.7 SEER2**

*Go Thru-the-Wall*



**National Comfort Products**  
A Division of National Refrigeration and Air Conditioning Products, Inc.  
539 Dunksferry Road • Bensalem, PA 19020-5908  
(800) 523-7138 • Fax (215) 639-1674  
[www.nationalcomfortproducts.com](http://www.nationalcomfortproducts.com)

**Project:**

## Electric Heat Models

Plan Designation	Quantity	Model	Description	Page
		CPE41200UA	Comfort Pack R410A 1.0 ton cooling, Optional Electric Heat, 208-230/1/60, 11.7 SEER2	7
		CPE41800UA	Comfort Pack R410A 1.5 ton cooling, Optional Electric Heat, 208-230/1/60, 11.7 SEER2	7
		CPE42400UA	Comfort Pack R410A 2.0 ton cooling, Optional Electric Heat, 208-230/1/60, 11.7 SEER2	7
		CPE43000TA	Comfort Pack R410A 2.5 ton cooling, Optional Electric Heat, 208-230/1/60, 11.7 SEER2	8

Plan Designation	Quantity	Model	Description	Page
		CPEHK-03-A	3 kW Field Installed Electric Heat Kit	9
		CPEHK-05-A	5 kW Field Installed Electric Heat Kit	9
		CPEHK-07-A	7 kW Field Installed Electric Heat Kit	9
		CPEHK-10-A	10 kW Field Installed Electric Heat Kit	9
		CPEHK-15-A	15 kW Field Installed Electric Heat Kit	9

Project:

## Options

Plan Designation	Quantity	Model	Description	Page
		CPWS	Comfort Pack Wall Sleeve	9
		CPSG-P	Comfort Pack U-Series Stamped Grille Painted	10
		CPLG	Comfort Pack U-Series Architectural Louver Grille	11
		CPLG-S	Comfort Pack U-Series Architectural Louver Grille for Sleeve (Attaches to Wall Sleeve Only)	12
		CPLG-P	Comfort Pack U-Series Architectural Louver Grille Painted (Attaches to Units Only)	11
		CPLG-SP	Comfort Pack U-Series Architectural Louver Grille Sleeve Painted (Attaches to Wall Sleeve Only)	12
		CPSGT-P	Comfort Pack T-Series Stamped Grille Painted	13
		CPLGT	Comfort Pack T-Series Architectural Louver Grille	14
		CPLGT-S	Comfort Pack T-Series Architectural Louver Grille for Sleeve (Attaches to Wall Sleeve Only)	15
		CPLGT-P	Comfort Pack T-Series Architectural Louver Grille Painted (Attaches to Units Only)	14
		CPLGT-SP	Comfort Pack T-Series Architectural Louver Grille Sleeve Painted (Attaches to Wall Sleeve Only)	15
		A	Standard	NA
		B	Slotted Door	5
		C	without Rear Grille	NA
		D	Both B & C	NA

## Performance Data

11.7 SEER2											
Model	Nominal Cooling Tons	Cooling Btuh	Sensible Btuh	Heat Kit	Heating Btuh		Heating kW		Heating Amps		Shipping Weight (lbs.)
					230V	208V	230V	208V	230V	208V	
CPE41200UA	1	12,000	8,600	N/A	N/A	N/A	N/A	N/A	N/A	N/A	315
	1	12,000	8,600	CPEHK-03-A	10,900	8,900	3.20	2.62	13.91	12.59	315
	1	12,000	8,600	CPEHK-05-A	16,000	13,100	4.68	3.83	20.34	18.41	315
	1	12,000	8,600	CPEHK-07-A	22,400	18,300	6.58	5.37	28.61	25.82	315
	1	12,000	8,600	CPEHK-10-A	32,000	26,000	9.35	7.64	40.65	36.70	315
CPE41800UA	1.5	17,300	12,500	N/A	N/A	N/A	N/A	N/A	N/A	N/A	325
	1.5	17,300	12,500	CPEHK-03-A	10,900	8,900	3.20	2.62	13.91	12.59	325
	1.5	17,300	12,500	CPEHK-05-A	16,000	13,100	4.68	3.83	20.34	18.41	325
	1.5	17,300	12,500	CPEHK-07-A	22,400	18,300	6.58	5.37	28.61	25.82	325
	1.5	17,300	12,500	CPEHK-10-A	32,000	26,000	9.35	7.64	40.65	36.70	325
	1.5	17,300	12,500	CPEHK-15-A	48,000	39,000	14.02	11.47	60.95	55.14	325
CPE42400UA	2	21,600	15,600	N/A	N/A	N/A	N/A	N/A	N/A	N/A	350
	2	21,600	15,600	CPEHK-03-A	10,900	8,900	3.20	2.62	13.91	12.59	350
	2	21,600	15,600	CPEHK-05-A	16,000	13,100	4.68	3.83	20.34	18.41	350
	2	21,600	15,600	CPEHK-07-A	22,400	18,300	6.58	5.37	28.61	25.82	350
	2	21,600	15,600	CPEHK-10-A	32,000	26,000	9.35	7.64	40.65	36.70	350
	2	21,600	15,600	CPEHK-15-A	48,000	39,000	14.02	11.47	60.95	55.14	350
CPE43000TA	2.5	27,000	20,000	N/A	N/A	N/A	N/A	N/A	N/A	N/A	325
	2.5	27,000	20,000	CPEHK-03-A	10,900	8,900	3.20	2.62	13.91	12.59	375
	2.5	27,000	20,000	CPEHK-05-A	16,000	13,100	4.68	3.83	20.34	18.41	375
	2.5	27,000	20,000	CPEHK-07-A	22,400	18,300	6.58	5.37	28.61	25.82	375
	2.5	27,000	20,000	CPEHK-10-A	32,000	26,000	9.35	7.64	40.65	36.70	375
	2.5	27,000	20,000	CPEHK-15-A	48,000	39,000	14.02	11.47	60.95	55.14	375

## Electrical Data

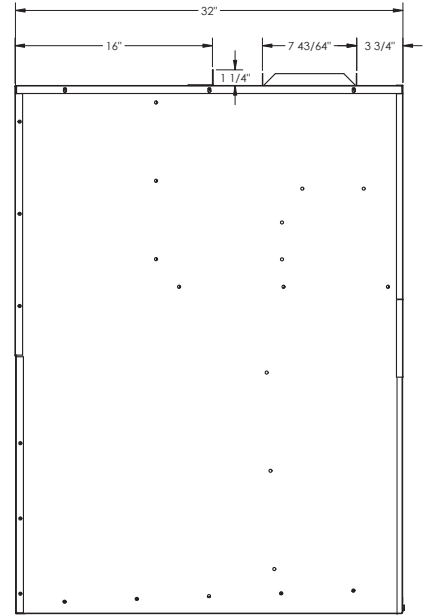
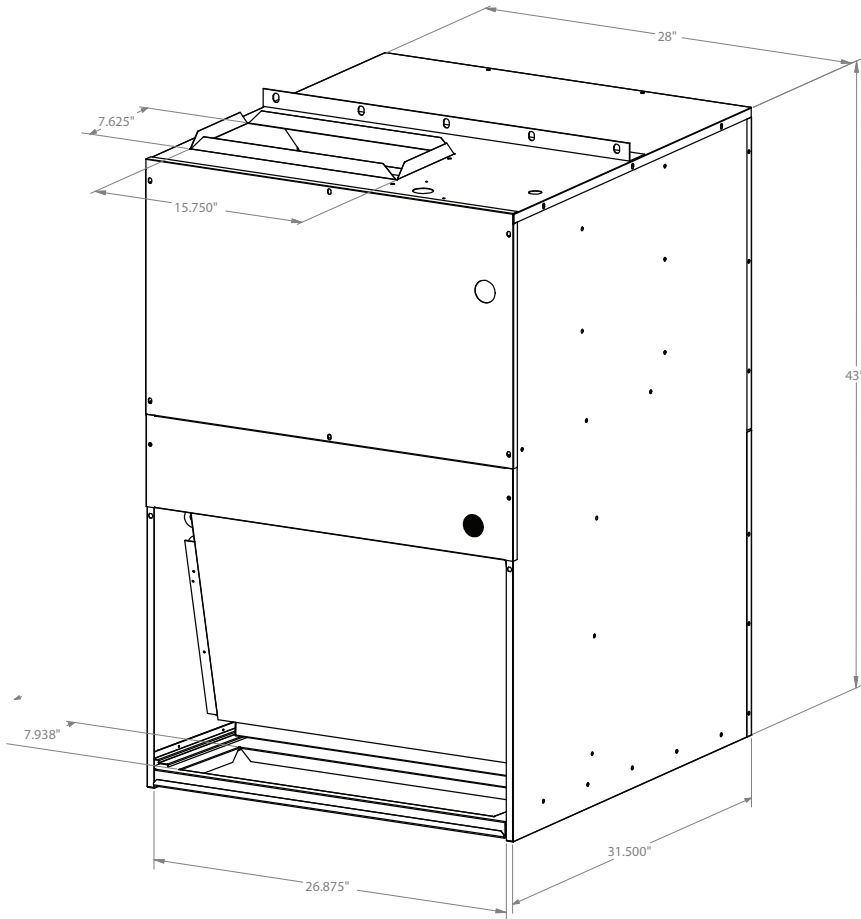
Model	Heat Kit	Voltage	Compressor		Condenser Motor			Blower		Total Amps		MCA		MOP	
			RLA	LRA	HP	RLA	LRA	HP	RLA	230V	208V	230V	208V	230V	208V
CPE41200UA	N/A	208-230/60/1	4.7	29.5	1/4	2.4	-	1/3	3.0	10.1	10.1	11.3	11.3	15	15
	CPEHK-03-A	208-230/60/1	4.7	29.5	1/4	2.4	-	1/3	3.0	16.9	15.6	20.4	18.7	25	20
	CPEHK-05-A	208-230/60/1	4.7	29.5	1/4	2.4	-	1/3	3.0	23.3	21.4	28.4	26.0	30	30
	CPEHK-07-A	208-230/60/1	4.7	29.5	1/4	2.4	-	1/3	3.0	31.6	28.8	38.8	35.3	40	40
	CPEHK-10-A	208-230/60/1	4.7	29.5	1/4	2.4	-	1/3	3.0	43.7	39.7	53.8	48.9	55	50
CPE41800UA	N/A	208-230/60/1	6.5	37.5	1/4	1.83	3.6	1/3	3.0	11.3	11.3	13.0	13.0	15	15
	CPEHK-03-A	208-230/60/1	6.5	37.5	1/4	1.83	3.6	1/3	3.0	16.9	15.6	20.4	18.7	25	20
	CPEHK-05-A	208-230/60/1	6.5	37.5	1/4	1.83	3.6	1/3	3.0	23.3	21.4	28.4	26.0	30	30
	CPEHK-07-A	208-230/60/1	6.5	37.5	1/4	1.83	3.6	1/3	3.0	31.6	28.8	38.8	35.3	40	40
	CPEHK-10-A	208-230/60/1	6.5	37.5	1/4	1.83	3.6	1/3	3.0	43.7	39.7	53.8	48.9	55	50
	CPEHK-15-A	208-230/60/1	6.5	37.5	1/4	1.83	3.6	1/3	3.0	64.0	58.1	79.2	71.9	80	75
CPE42400UA	N/A	208-230/60/1	8.4	37	1/4	2.4	-	1/2	3.9	14.7	14.7	16.8	16.8	25	25
	CPEHK-03-A	208-230/60/1	8.4	37.0	1/4	2.4	-	1/2	3.9	17.8	16.5	21.3	19.6	25	25
	CPEHK-05-A	208-230/60/1	8.4	37.0	1/4	2.4	-	1/2	3.9	24.2	22.3	29.3	26.9	30	30
	CPEHK-07-A	208-230/60/1	8.4	37.0	1/4	2.4	-	1/2	3.9	32.5	29.7	39.7	36.2	40	40
	CPEHK-10-A	208-230/60/1	8.4	37.0	1/4	2.4	-	1/2	3.9	44.6	40.6	54.7	49.8	55	50
	CPEHK-15-A	208-230/60/1	8.4	37.0	1/4	2.4	-	1/2	3.9	64.9	59.0	80.1	72.8	85	75
CPE43000TA	N/A	208-230/60/1	13.5	72.5	1/4	2.4	-	1/2	3.9	19.8	19.8	23.2	23.2	35	35
	CPEHK-03-A	208-230/60/1	13.5	72.5	1/4	2.4	-	1/2	3.9	19.8	19.8	23.2	23.2	35	35
	CPEHK-05-A	208-230/60/1	13.5	72.5	1/4	2.4	-	1/2	3.9	24.2	22.3	29.3	26.9	35	35
	CPEHK-07-A	208-230/60/1	13.5	72.5	1/4	2.4	-	1/2	3.9	32.5	29.7	39.7	36.2	40	40
	CPEHK-10-A	208-230/60/1	13.5	72.5	1/4	2.4	-	1/2	3.9	44.6	40.6	54.7	49.8	55	50
	CPEHK-15-A	208-230/60/1	13.5	72.5	1/4	2.4	-	1/2	3.9	64.9	59.0	80.1	72.8	85	75

**Project:**

## Air Flow Data

Models	Color	Speed Tap	ESP (in. wc) / CFM				
			0.1	0.2	0.3	0.4	0.5
CPE41200UA	Red	1	760	745	730	715	700
	Yellow	2	650	640	630	615	600
	Blue	3	560	535	520	510	500
	Black	4	440	425	410	390	370
	Orange	5	390	360	330	310	290
CPE41800UA	Red	1	760	745	730	715	700
	Yellow	2	650	640	630	615	600
	Blue	3	560	535	520	510	500
	Black	4	440	425	410	390	370
	Orange	5	390	360	330	310	290
CPE42400UA	Red	1	870	850	830	810	790
	Yellow	2	760	745	730	715	690
	Blue	3	680	665	650	630	610
	Black	4	590	565	540	525	510
	Orange	5	440	425	410	400	390
CPE43000TA	Red	1	1000	975	950	930	910
	Yellow	2	840	830	800	775	750
	Blue	3	760	730	710	690	660
	Black	4	635	610	580	560	530
	Orange	5	520	430	375	310	240

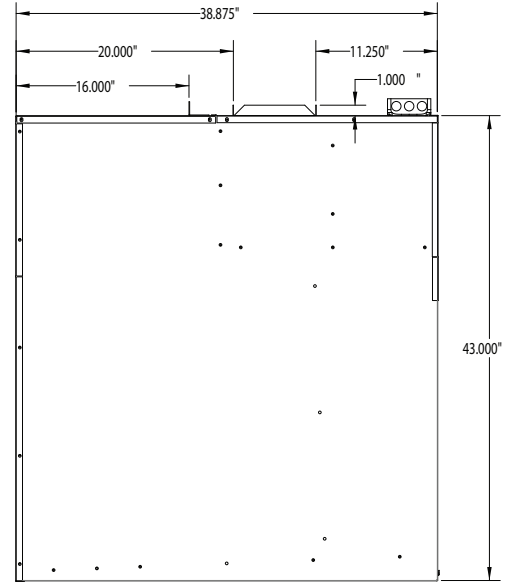
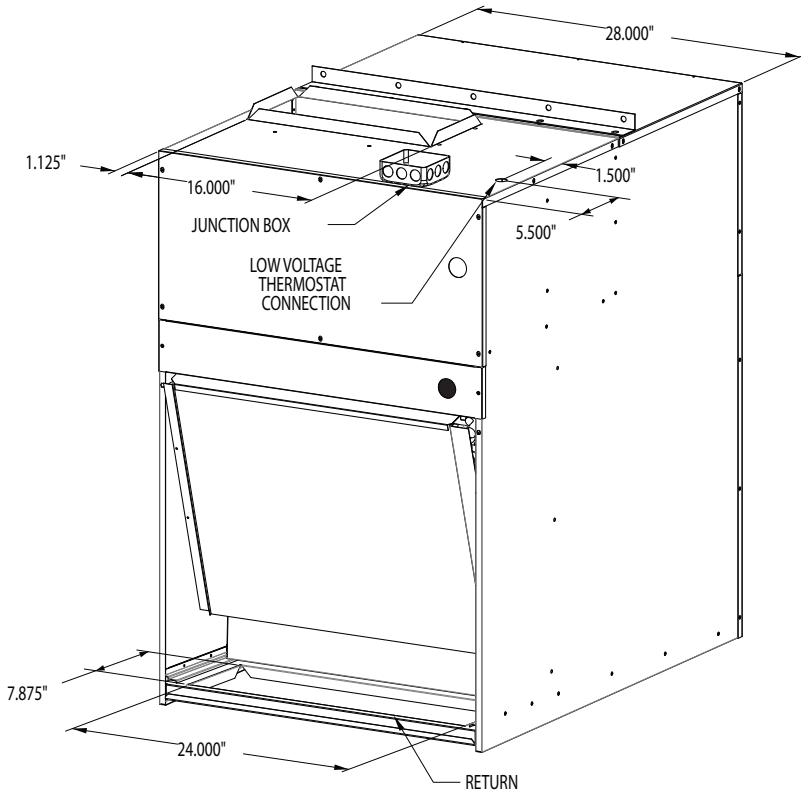
**Comfort Pack with Electric Heat Option - U Series**



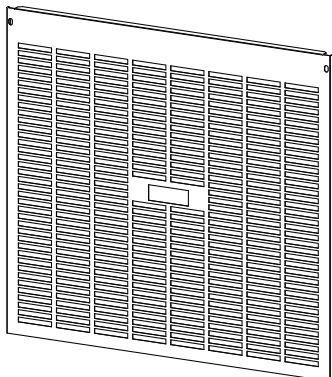
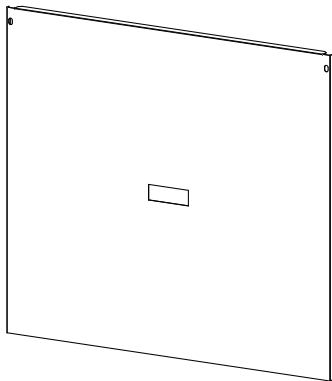
Side view

**NOTE:** Unit must be mounted a minimum of 8 inches above finished floor.  
See installation guide for vent termination clearances

# Comfort Pack with Electric Heat Option - T Series



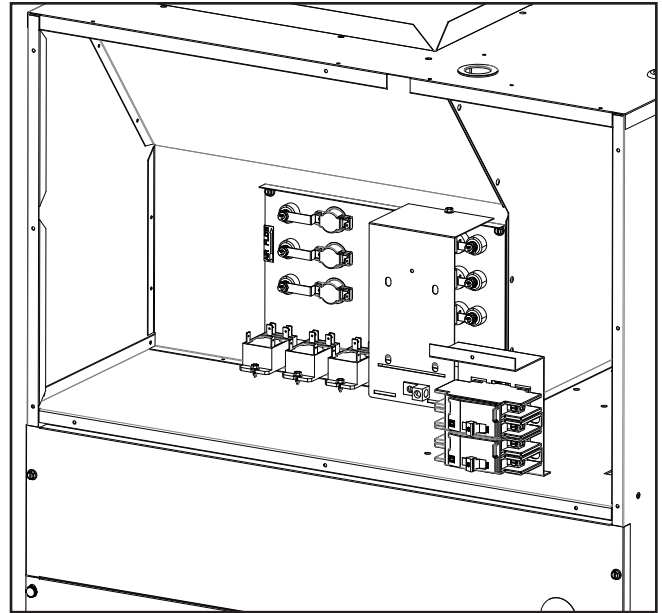
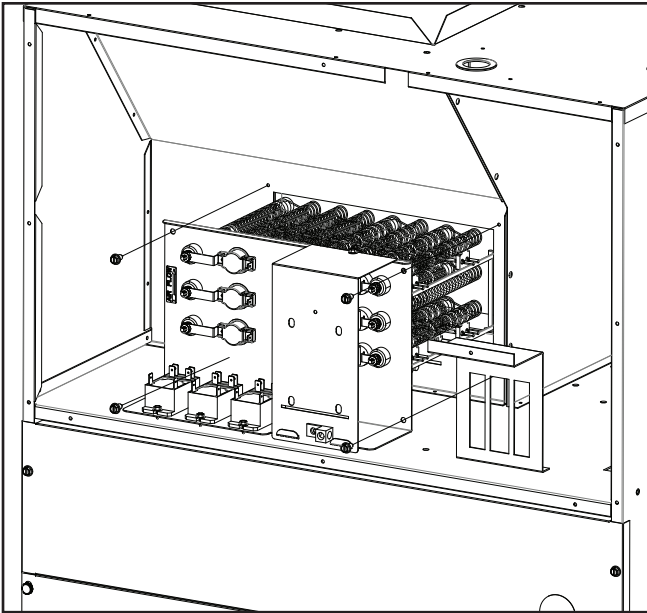
Side view



Option (B)  
Slotted Filter Door  
for Open Return



## Electric Heat Kits



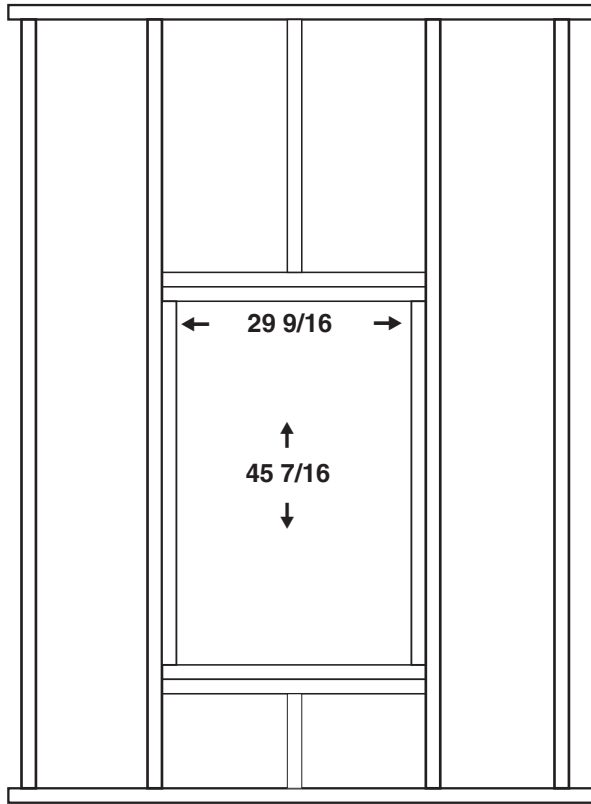
NOTE: Field Installed Heat Kit (15kW shown)

Project:

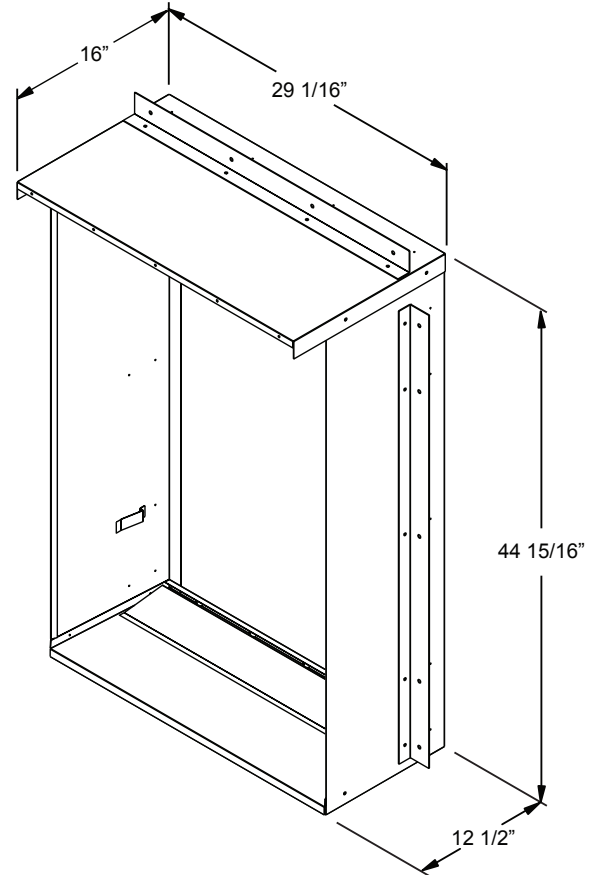
## Wall Sleeve

### CPWS

**Rough In Dimensions**

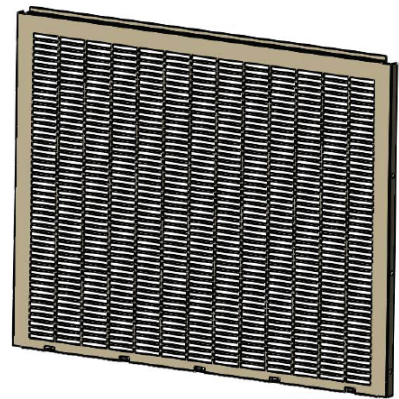
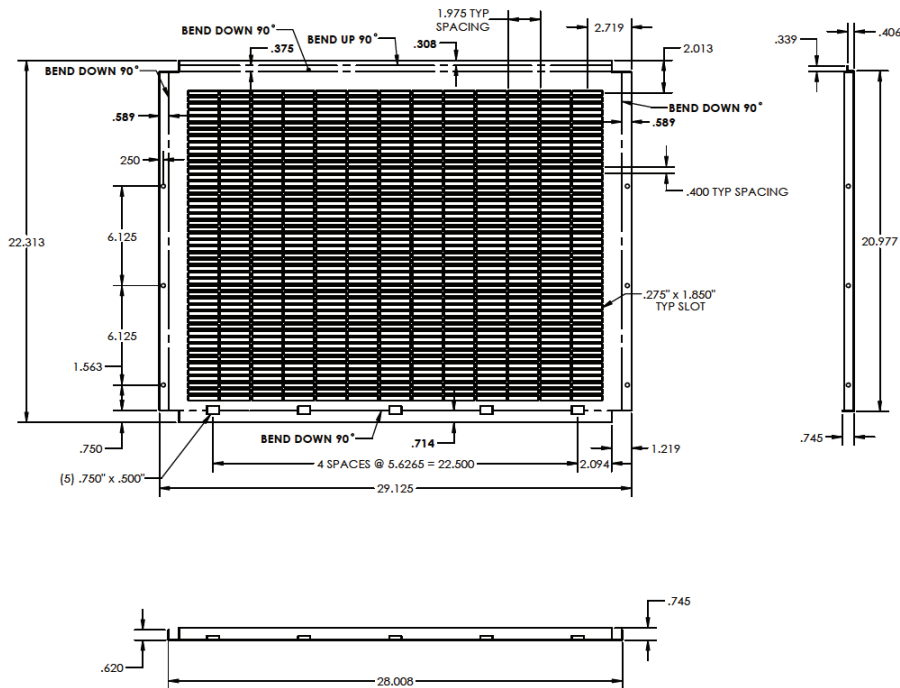
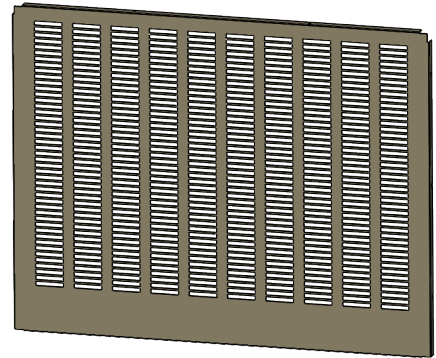
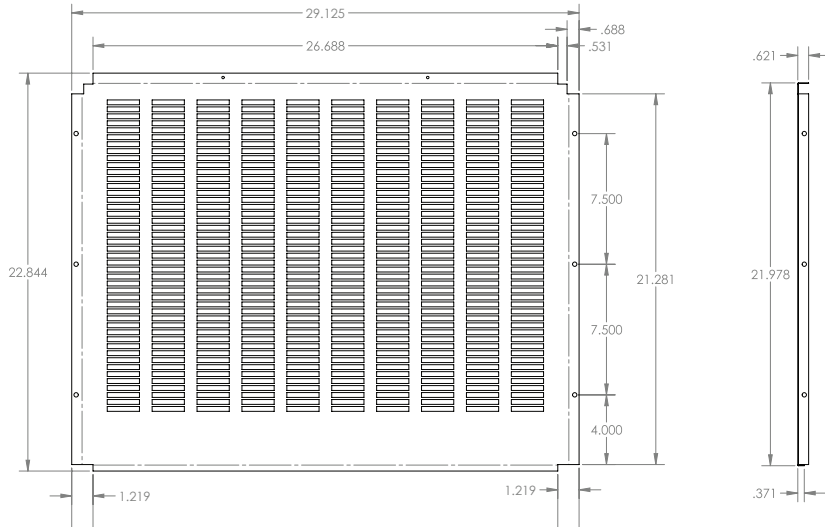


**Actual Wall Sleeve Dimensions**



**U-Series  
Powder Coated Standard Louver (Sleeve Mounted)**

**CPSG-P**

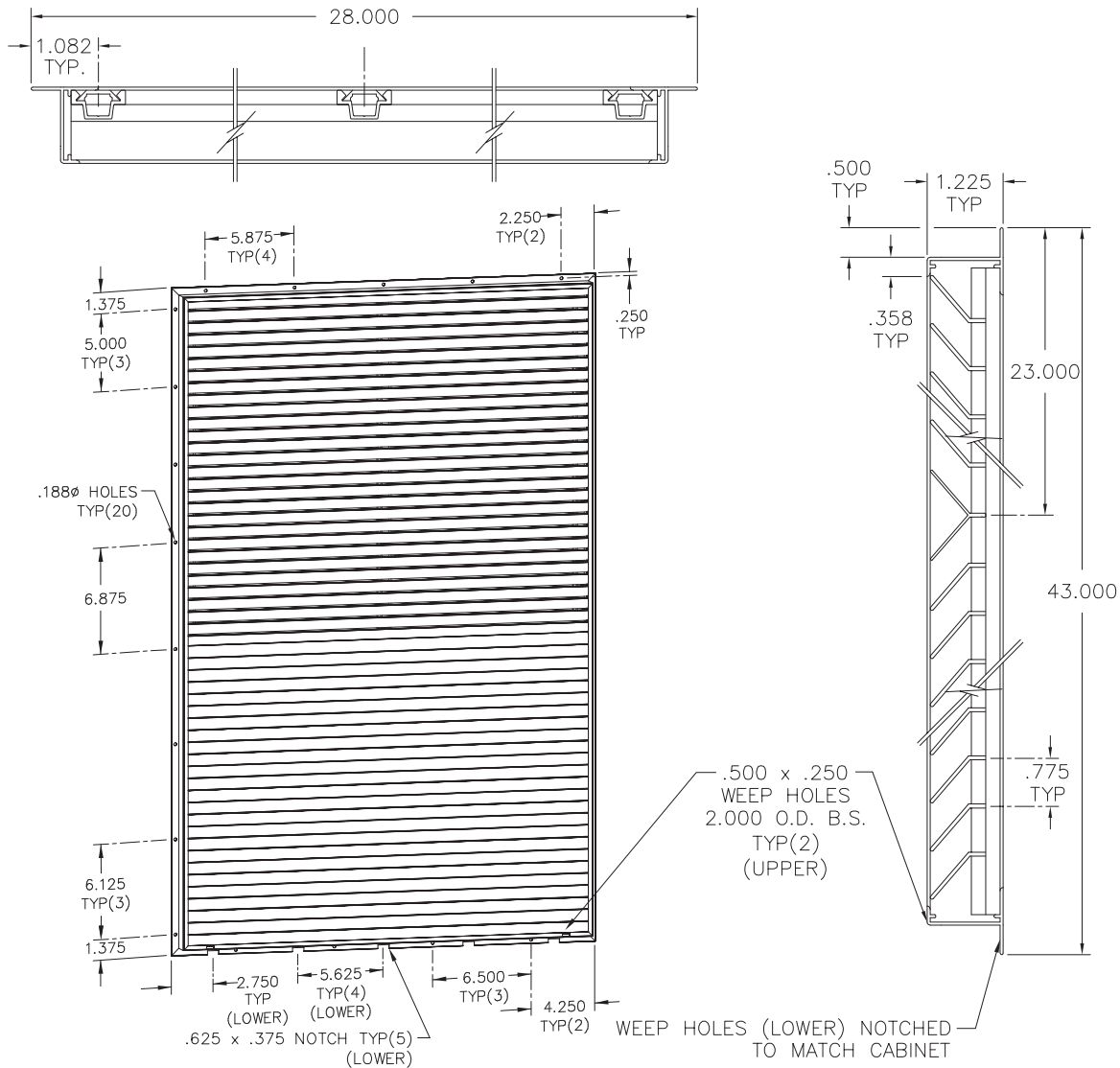


The CPSG-P version is a powder coated galvanized metal. It mounts to the Wall Sleeve and is recommended to be installed during the installation of the CPWS. (See page 10)

**Project:**

**U-Series  
Architectural Louver (Unit Mounted)**

**CPLG** (anodized aluminum finish)  
**CPLG-P** (painted finish)



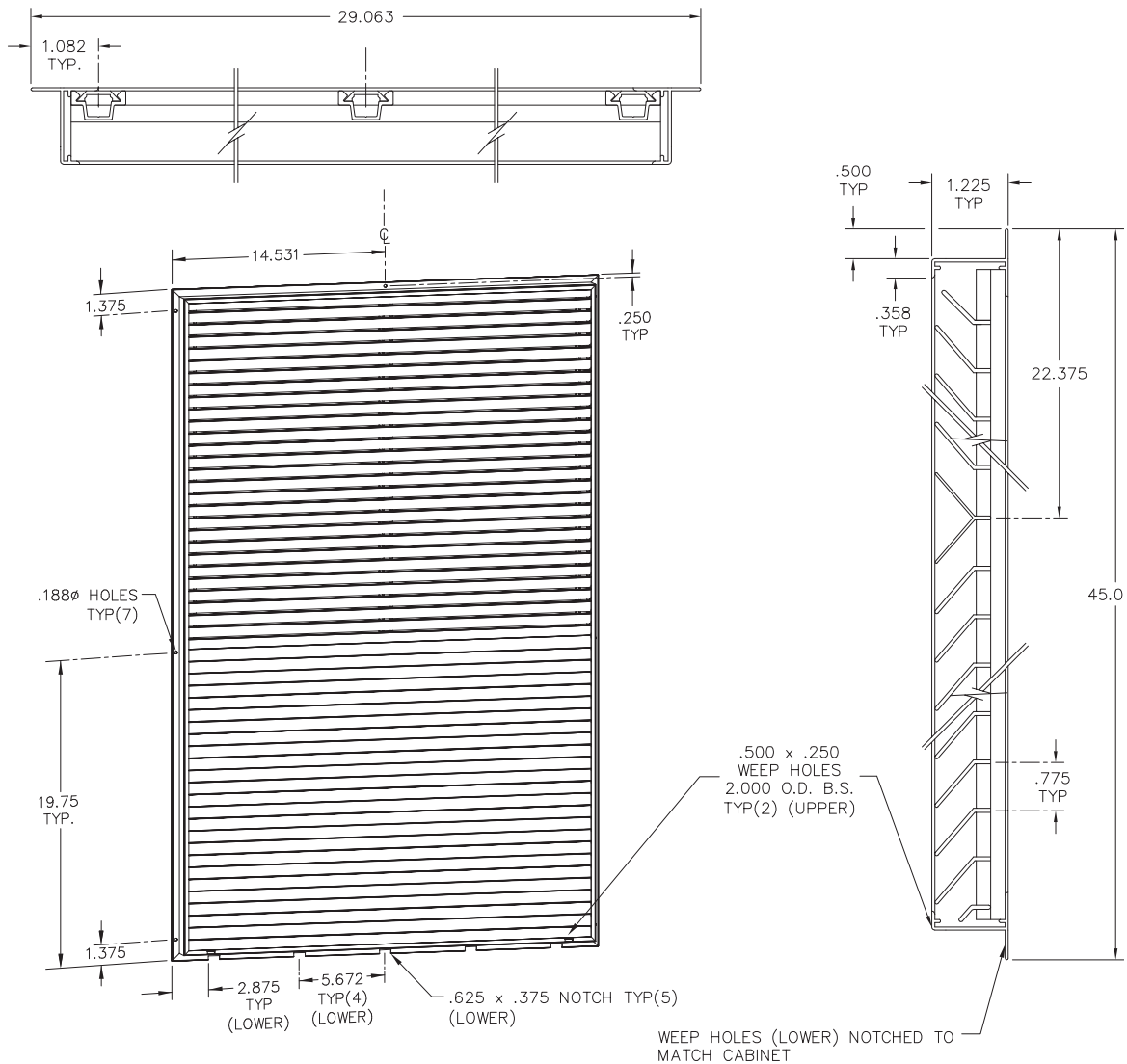
The CPLG & CPLG-P are Architectural Louvers available in anodized aluminum or a painted baked enamel finish. These Louvers are unit mounted.

**Project:**

**U-Series  
Architectural Louver (Sleeve Mounted)**

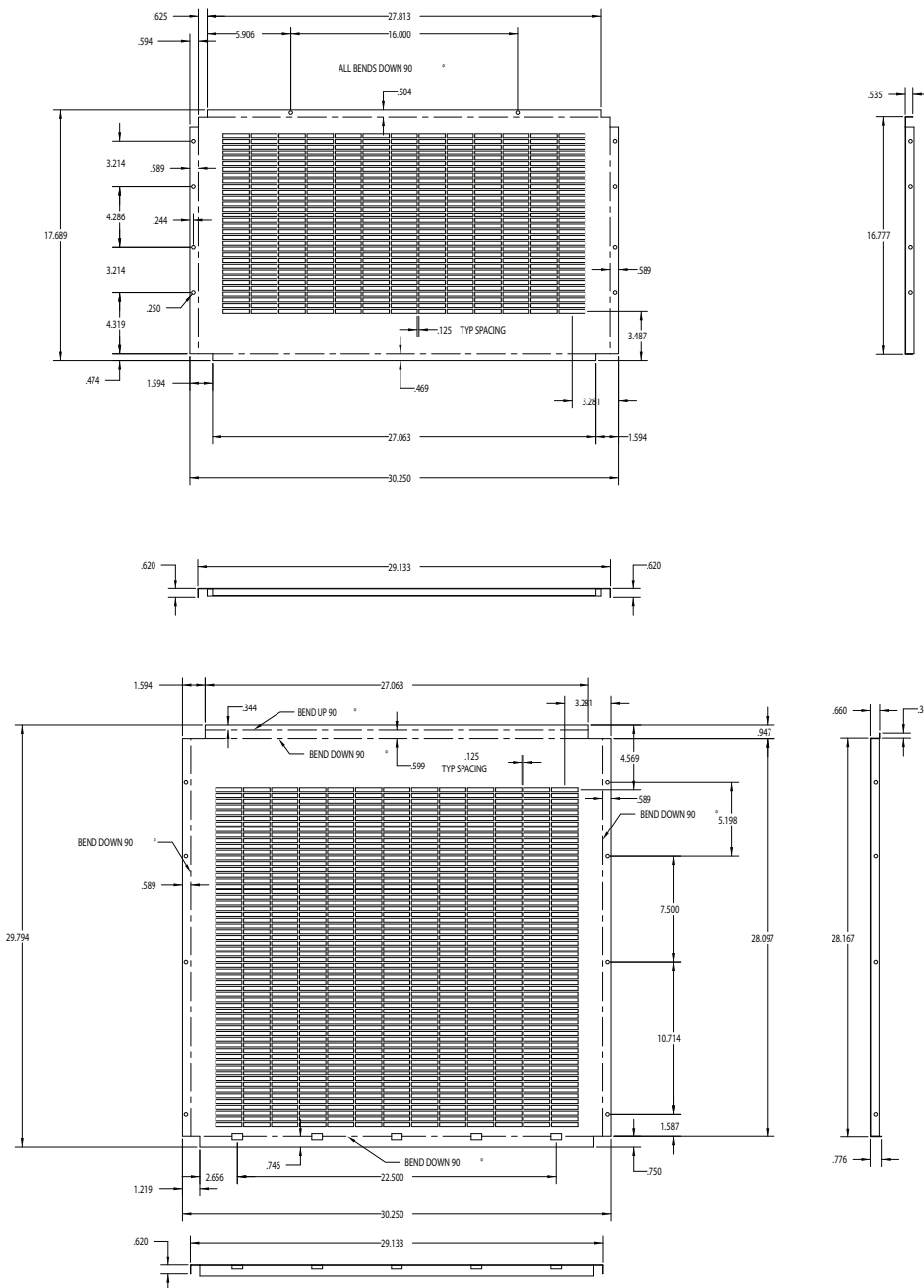
**CPLG-S** (anodized aluminum finish)

**CPLG-SP** (painted finish)



The CPLG-S & CPLG-SP are Architectural Louvers available in anodized aluminum or a painted baked enamel finish. These Louvers are sleeve mounted and recommended to be installed during the installation of the CPWS. (See page 10)

**T-Series  
Powder Coated Standard Louver (Sleeve Mounted)  
CPSGT-P**

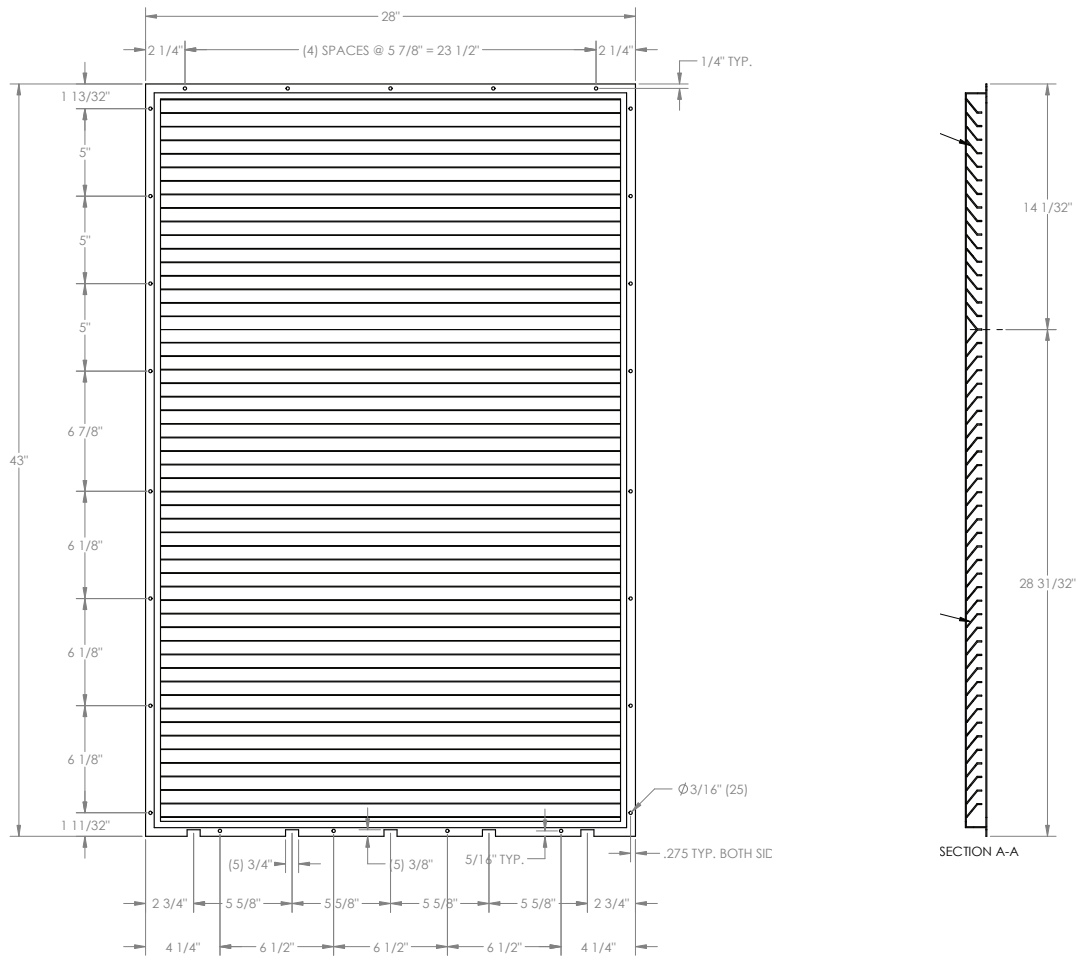


The CPSGT-P version is a powder coated galvanized metal. It mounts to the Wall Sleeve and is recommended to be installed during the installation of the CPWS. (See page 10)

**T-Series  
Architectural Louver (Unit Mounted)**

**CPLGT** (anodized aluminum finish)

**CPLGT-P** (painted finish)



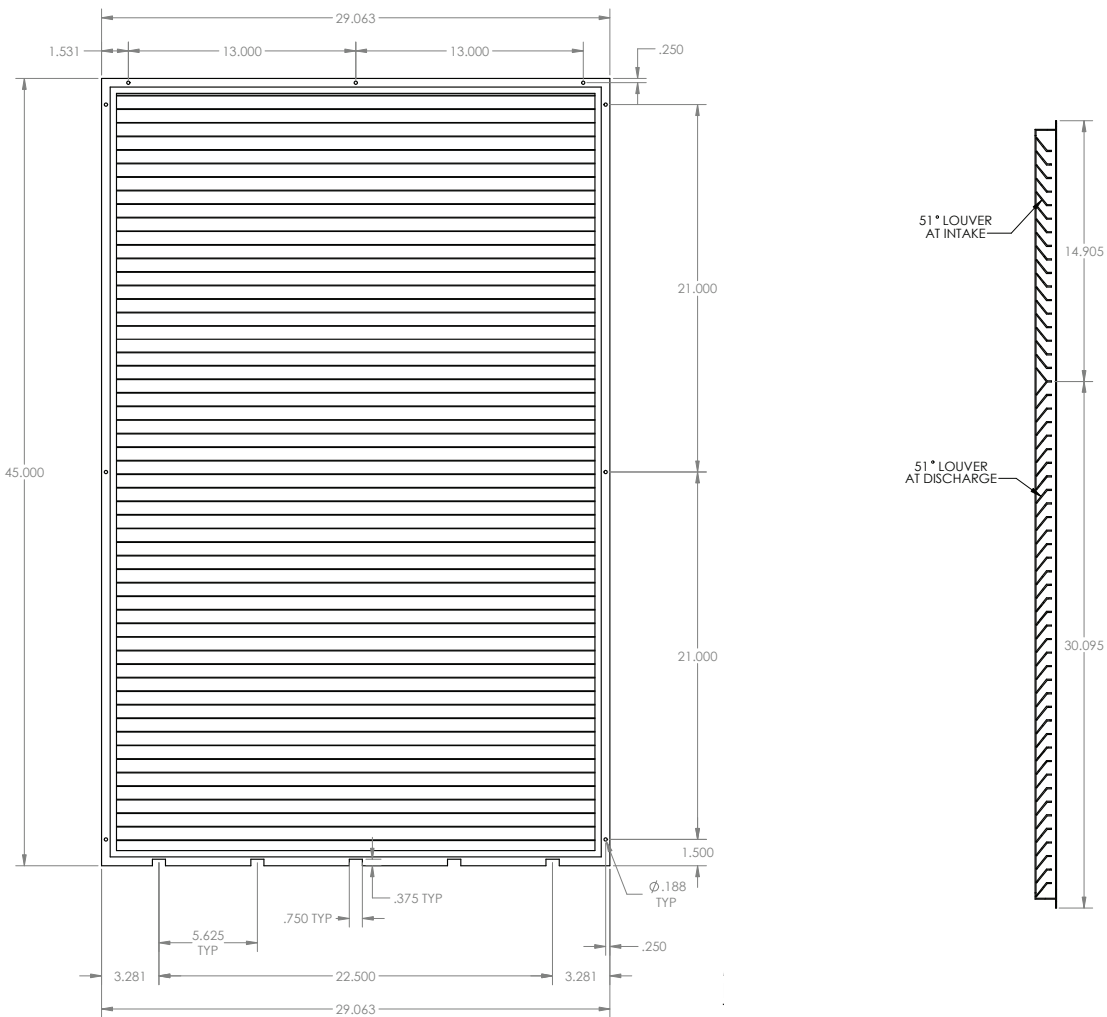
**\*Updates Coming Soon. Specifications Subject to Change.**

The CPLGT & CPLGT-P are Architectural Louvers available in anodized aluminum or a painted baked enamel finish. These Louvers are unit mounted.

**T-Series  
Architectural Louver (Sleeve Mounted)**

**CPLGT-S** (anodized aluminum finish)

**CPLGT-SP** (painted finish)



**\*Updates Coming Soon. Specifications Subject to Change.**

The CPLGT-S & CPLGT-SP are Architectural Louvers available in anodized aluminum or a painted baked enamel finish. These Louvers are sleeve mounted and recommended to be installed during the installation of the CPWS. (See page 10)



**NATIONAL<sup>®</sup>  
COMFORT  
PRODUCTS**

---

**HEATING & A/C EQUIPMENT**

**National Comfort Products**  
*A Division of National Refrigeration and Air Conditioning Products, Inc.*  
539 Dunksferry Road • Bensalem, PA 19020-5908  
**(800) 523-7138** • Fax (215) 639-1674  
[www.nationalcomfortproducts.com](http://www.nationalcomfortproducts.com)

