



Thru-the-Wall Comfort for all types of Multi-Family Construction

**Comfort Pack Electric
Submittal Data**

For Approval

Project:

Purchaser:

Date:

11.7 SEER2



National Comfort Products
A Division of National Refrigeration and Air Conditioning Products, Inc.
539 Dunksferry Road • Bensalem, PA 19020-5908
(800) 523-7138
www.nationalcomfortproducts.com

Go Thru-the-Wall

Project:

Electric Heat Models

Plan Designation	Quantity	Model	Description	Page
		CPE40900UB	Comfort Pack R410A 0.75 ton cooling, Optional Electric Heat, 208-230/1/60, 11.7 SEER2	7
		CPE41200UB	Comfort Pack R410A 1.0 ton cooling, Optional Electric Heat, 208-230/1/60, 11.7 SEER2	7
		CPE41800UB	Comfort Pack R410A 1.5 ton cooling, Optional Electric Heat, 208-230/1/60, 11.7 SEER2	7
		CPE42400UB	Comfort Pack R410A 2.0 ton cooling, Optional Electric Heat, 208-230/1/60, 11.7 SEER2	7
		CPE43000TB	Comfort Pack R410A 2.5 ton cooling, Optional Electric Heat, 208-230/1/60, 11.7 SEER2	8

Plan Designation	Quantity	Model	Description	Page
		CPEHK-03-A	3 kW Field Installed Electric Heat Kit	9
		CPEHK-05-A	5 kW Field Installed Electric Heat Kit	9
		CPEHK-07-A	7 kW Field Installed Electric Heat Kit	9
		CPEHK-10-A	10 kW Field Installed Electric Heat Kit	9
		CPEHK-15-A	15 kW Field Installed Electric Heat Kit	9

Project:

Options

Plan Designation	Quantity	Model	Description	Page
		CPWS	Comfort Pack Wall Sleeve	9
		CPSG-P	Comfort Pack U-Series Stamped Grille Painted	10
		CPLG	Comfort Pack U-Series Architectural Louver Grille	11
		CPLG-S	Comfort Pack U-Series Architectural Louver Grille for Sleeve (Attaches to Wall Sleeve Only)	12
		CPLG-P	Comfort Pack U-Series Architectural Louver Grille Painted (Attaches to Units Only)	11
		CPLG-SP	Comfort Pack U-Series Architectural Louver Grille Sleeve Painted (Attaches to Wall Sleeve Only)	12
		CPSGT-P	Comfort Pack T-Series Stamped Grille Painted	13
		CPLGT	Comfort Pack T-Series Architectural Louver Grille	14
		CPLGT-S	Comfort Pack T-Series Architectural Louver Grille for Sleeve (Attaches to Wall Sleeve Only)	15
		CPLGT-P	Comfort Pack T-Series Architectural Louver Grille Painted (Attaches to Units Only)	14
		CPLGT-SP	Comfort Pack T-Series Architectural Louver Grille Sleeve Painted (Attaches to Wall Sleeve Only)	15
		A	Standard	NA
		B	Slotted Door	5
		C	without Rear Grille	NA
		D	Both B & C	NA

Performance Data

11.7 SEER2												
Model	Nominal Cooling Tons	Cooling Btu/h	Sensible Btu/h	Charge R-410A (Oz.)	Heat Kit	Heating Btu/h		Heating kW		Heating Amps		Shipping Weight (lbs.)
						230V	208V	230V	208V	230V	208V	
CPE40900UB	0.75	9,600	7,000	28	N/A	N/A	N/A	N/A	N/A	N/A	N/A	315
	0.75	9,600	7,000	28	CPEHK03	8,900	10,900	2.61	3.19	12.54	13.89	315
	0.75	9,600	7,000	28	CPEHK05	13,100	16,000	3.84	4.69	18.45	20.38	315
	0.75	9,600	7,000	28	CPEHK07	18,300	22,400	5.36	6.56	25.78	28.54	315
	0.75	9,600	7,000	28	CPEHK10	26,000	32,000	7.62	9.38	36.63	40.77	315
CPE41200UB	1	12,000	8,600	30	N/A	N/A	N/A	N/A	N/A	N/A	N/A	315
	1	12,000	8,600	30	CPEHK03	8,900	10,900	2.61	3.19	12.54	13.89	315
	1	12,000	8,600	30	CPEHK05	13,100	16,000	3.84	4.69	18.45	20.38	315
	1	12,000	8,600	30	CPEHK07	18,300	22,400	5.36	6.56	25.78	28.54	315
	1	12,000	8,600	30	CPEHK10	26,000	32,000	7.62	9.38	36.63	40.77	315
CPE41800UB	1.5	17,300	12,500	43	N/A	N/A	N/A	N/A	N/A	N/A	N/A	325
	1.5	17,300	12,500	43	CPEHK03	8,900	10,900	2.61	3.19	12.54	13.89	325
	1.5	17,300	12,500	43	CPEHK05	13,100	16,000	3.84	4.69	18.45	20.38	325
	1.5	17,300	12,500	43	CPEHK07	18,300	22,400	5.36	6.56	25.78	28.54	325
	1.5	17,300	12,500	43	CPEHK10	26,000	32,000	7.62	9.38	36.63	40.77	325
	1.5	17,300	12,500	43	CPEHK15	39,000	48,000	11.43	14.06	54.94	61.15	325
CPE42400UB	2	21,600	15,600	43	N/A	N/A	N/A	N/A	N/A	N/A	N/A	350
	2	21,600	15,600	43	CPEHK03	8,900	10,900	2.61	3.19	12.54	13.89	350
	2	21,600	15,600	43	CPEHK05	13,100	16,000	3.84	4.69	18.45	20.38	350
	2	21,600	15,600	43	CPEHK07	18,300	22,400	5.36	6.56	25.78	28.54	350
	2	21,600	15,600	43	CPEHK10	26,000	32,000	7.62	9.38	36.63	40.77	350
	2	21,600	15,600	43	CPEHK15	39,000	48,000	11.43	14.06	54.94	61.15	350
CPE43000TB	2.5	27,000	19,600	51	N/A	N/A	N/A	N/A	N/A	N/A	N/A	365
	2.5	27,000	19,600	51	CPEHK03	8,900	10,900	2.61	3.19	12.54	13.89	365
	2.5	27,000	19,600	51	CPEHK05	13,100	16,000	3.84	4.69	18.45	20.38	365
	2.5	27,000	19,600	51	CPEHK07	18,300	22,400	5.36	6.56	25.78	28.54	365
	2.5	27,000	19,600	51	CPEHK10	26,000	32,000	7.62	9.38	36.63	40.77	365
	2.5	27,000	19,600	51	CPEHK15	39,000	48,000	11.43	14.06	54.94	61.15	365

Electrical Data

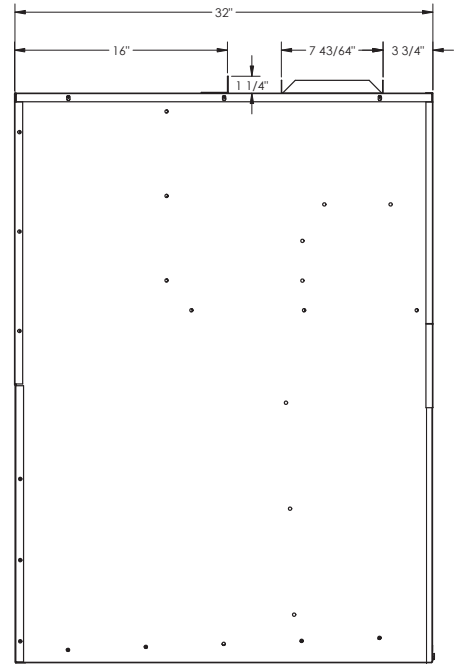
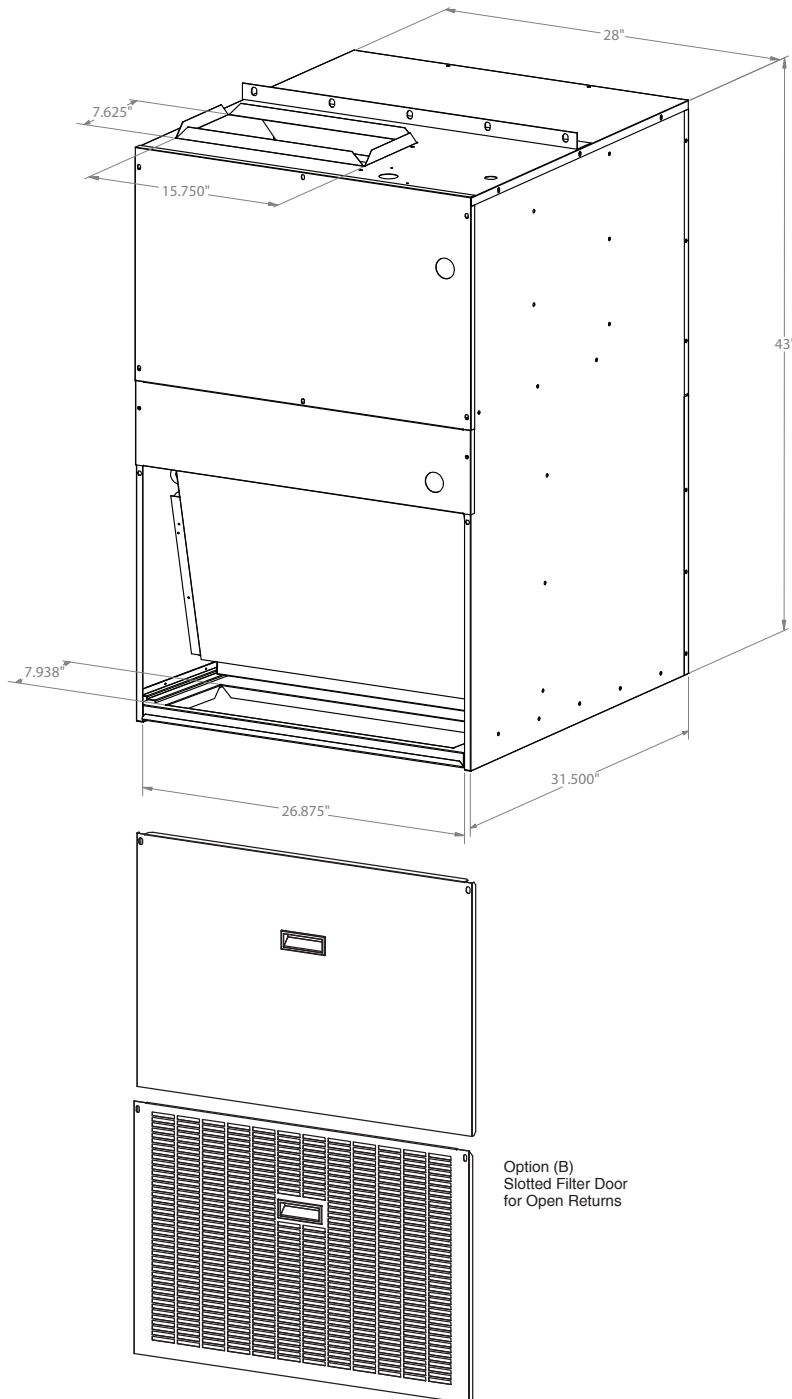
Model	Heat Kit	Voltage	Compressor		Condenser Motor			Blower Motor		Total Amps		MCA		MOP	
			RLA	LRA	HP	RLA	LRA	HP	RLA	230V	208V	230V	208V	230V	208V
CPE40900UB	N/A	208/230-1-60	3.9	21.0	1/4	2.4	--	1/3	2.6	8.9	8.9	9.9	9.9	15	15
	CPEHK03	208/230-1-60	3.9	21.0	1/4	2.4	--	1/3	2.6	15.1	16.5	19.0	20.6	20	25
	CPEHK05	208/230-1-60	3.9	21.0	1/4	2.4	--	1/3	2.6	21.1	23.0	26.3	28.7	30	30
	CPEHK07	208/230-1-60	3.9	21.0	1/4	2.4	--	1/3	2.6	28.4	31.1	35.5	39.0	40	40
	CPEHK10	208/230-1-60	3.9	21.0	1/4	2.4	--	1/3	2.6	39.2	43.4	49.2	54.1	50	60
CPE41200UB	N/A	208/230-1-60	4.7	29.5	1/4	2.4	--	1/3	2.6	9.7	9.7	10.9	10.9	15	15
	CPEHK03	208/230-1-60	4.7	29.5	1/4	2.4	--	1/3	2.6	15.1	16.5	19.0	20.6	20	25
	CPEHK05	208/230-1-60	4.7	29.5	1/4	2.4	--	1/3	2.6	21.1	23.0	26.3	28.7	30	30
	CPEHK07	208/230-1-60	4.7	29.5	1/4	2.4	--	1/3	2.6	28.4	31.1	35.5	39.0	40	40
	CPEHK10	208/230-1-60	4.7	29.5	1/4	2.4	--	1/3	2.6	39.2	43.4	49.2	54.1	50	60
CPE41800UB	N/A	208/230-1-60	6.5	37.5	1/4	1.83	3.6	1/3	2.6	10.9	10.9	12.6	12.6	15	15
	CPEHK03	208/230-1-60	6.5	37.5	1/4	1.83	3.6	1/3	2.6	15.1	16.5	19.0	20.6	20	25
	CPEHK05	208/230-1-60	6.5	37.5	1/4	1.83	3.6	1/3	2.6	21.1	23.0	26.3	28.7	30	30
	CPEHK07	208/230-1-60	6.5	37.5	1/4	1.83	3.6	1/3	2.6	28.4	31.1	35.5	39.0	40	40
	CPEHK10	208/230-1-60	6.5	37.5	1/4	1.83	3.6	1/3	2.6	39.2	43.4	49.2	54.1	50	60
	CPEHK15	208/230-1-60	6.5	37.5	1/4	1.83	3.6	1/3	2.6	57.5	63.7	48.1	53.0	50	60
CPE42400UB	N/A	208/230-1-60	8.4	37.0	1/4	2.4	--	1/2	3.8	14.6	14.6	16.7	16.7	15	15
	CPEHK03	208/230-1-60	8.4	37.0	1/4	2.4	--	1/2	3.8	22.3	24.2	20.5	22.1	25	25
	CPEHK05	208/230-1-60	8.4	37.0	1/4	2.4	--	1/2	3.8	29.6	32.3	27.8	30.2	30	35
	CPEHK07	208/230-1-60	8.4	37.0	1/4	2.4	--	1/2	3.8	40.4	44.6	37.0	40.5	40	45
	CPEHK10	208/230-1-60	8.4	37.0	1/4	2.4	--	1/2	3.8	58.7	64.9	50.7	55.6	60	60
	CPEHK15	208/230-1-60	8.4	37.0	1/4	2.4	--	1/2	3.8	58.7	64.9	49.1	54.0	50	60
CPE43000TB	N/A	208/230-1-60	14.1	67.9	1/4	2.4	--	1/2	3.8	20.3	20.3	23.8	23.8	35	35
	CPEHK03	208/230-1-60	14.1	67.9	1/4	2.4	--	1/2	3.8	20.3	20.3	23.8	23.8	35	35
	CPEHK05	208/230-1-60	14.1	67.9	1/4	2.4	--	1/2	3.8	22.3	24.2	27.8	30.2	35	35
	CPEHK07	208/230-1-60	14.1	67.9	1/4	2.4	--	1/2	3.8	29.6	32.3	37.1	40.5	40	45
	CPEHK10	208/230-1-60	14.1	67.9	1/4	2.4	--	1/2	3.8	40.4	44.6	50.7	55.6	60	60
	CPEHK15	208/230-1-60	14.1	67.9	1/4	2.4	--	1/2	3.8	58.7	64.9	49.1	54.0	50	60
												24.5	26.9	25	30

Project:

Air Flow Data

Models	Color	Speed Tap	ESP (in. wc) / CFM				
			0.1	0.2	0.3	0.4	0.5
CPE40900UB	Red	1	760	745	730	715	700
	Yellow	2	650	640	630	615	600
	Blue	3	560	535	520	510	500
	Black	4	440	425	410	390	370
	Orange	5	390	360	330	310	290
CPE41200UB	Red	1	760	745	730	715	700
	Yellow	2	650	640	630	615	600
	Blue	3	560	535	520	510	500
	Black	4	440	425	410	390	370
	Orange	5	390	360	330	310	290
CPE41800UB	Red	1	760	745	730	715	700
	Yellow	2	650	640	630	615	600
	Blue	3	560	535	520	510	500
	Black	4	440	425	410	390	370
	Orange	5	390	360	330	310	290
CPE42400UB	Red	1	870	850	830	810	790
	Yellow	2	760	745	730	715	690
	Blue	3	680	665	650	630	610
	Black	4	590	565	540	525	510
	Orange	5	440	425	410	400	390
CPE43000TB	Red	1	1000	975	950	930	910
	Yellow	2	840	830	800	775	750
	Blue	3	760	730	710	690	660
	Black	4	635	610	580	560	530
	Orange	5	520	430	375	310	--

Comfort Pack with Electric Heat Option - U Series

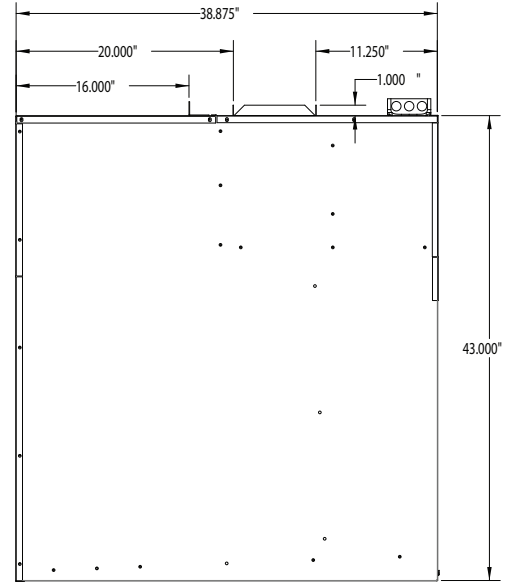
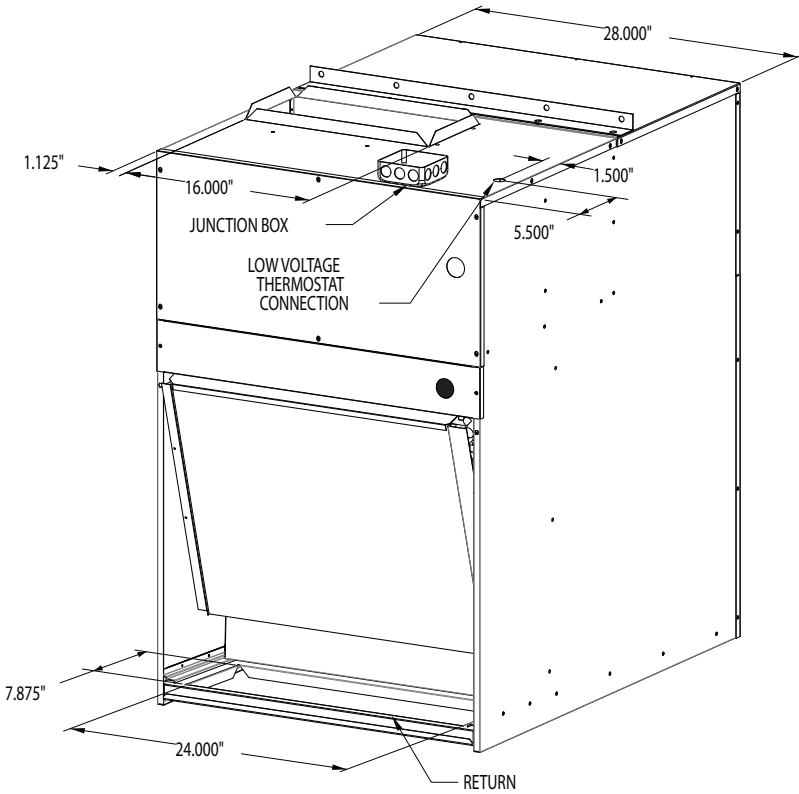


Side view

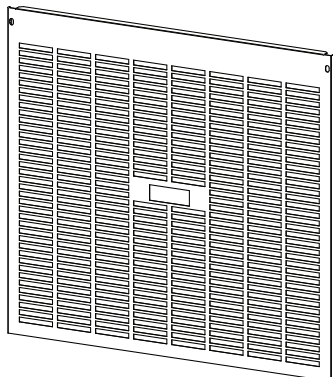
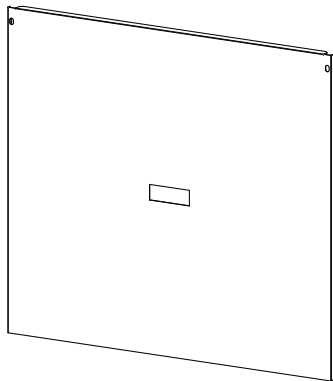
Option (B)
Slotted Filter Door
for Open Returns

NOTE: Unit must be mounted a minimum of 8 inches above finished floor.
See installation guide for vent termination clearances

Comfort Pack with Electric Heat Option - T Series

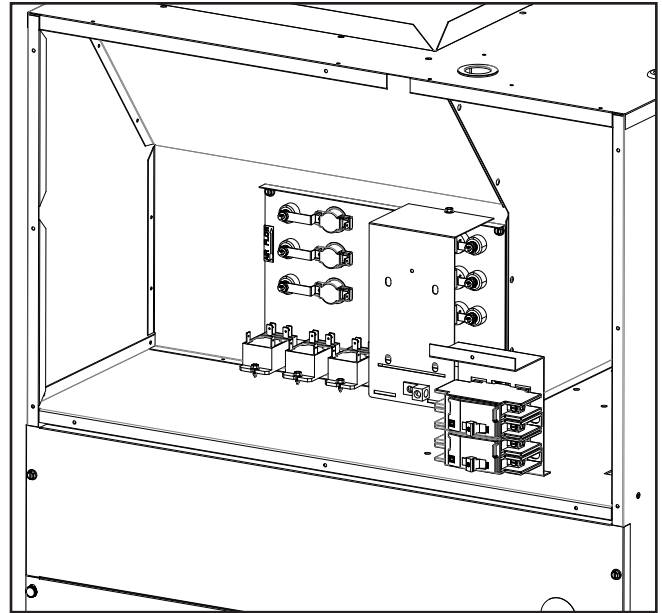
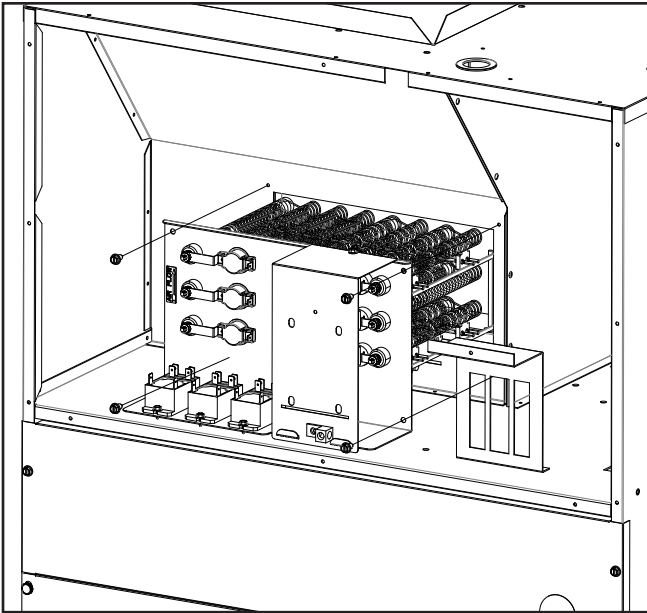


Side view



Option (B)
Slotted Filter Door
for Open Return

Electric Heat Kits



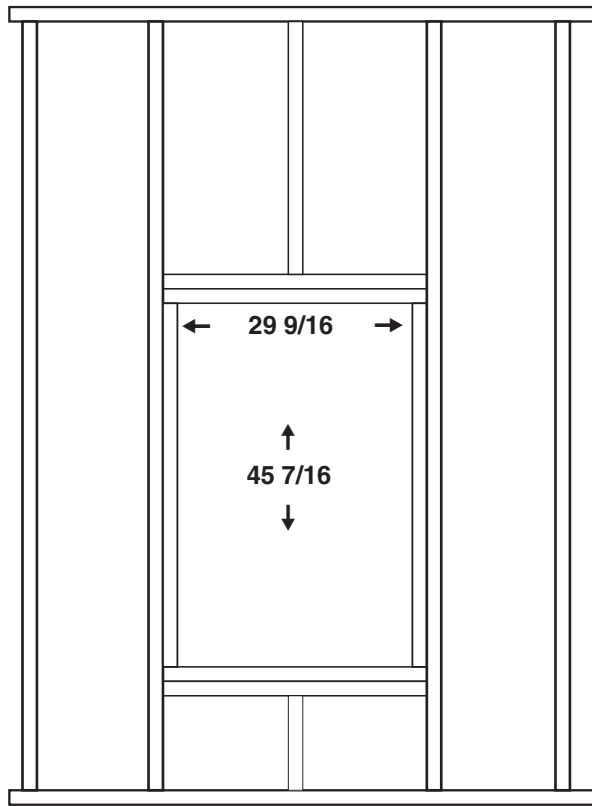
NOTE: Field Installed Heat Kit (15kW shown)

Project:

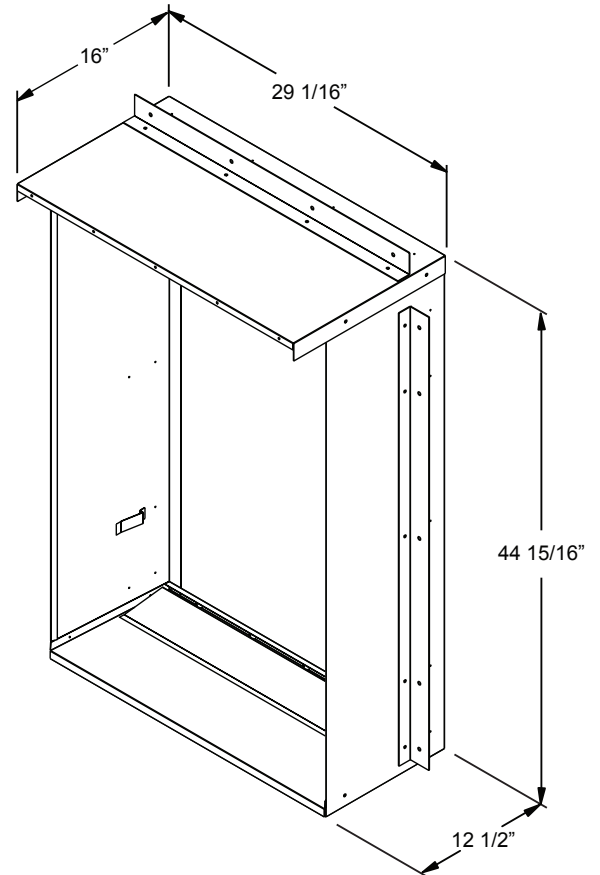
Wall Sleeve

CPWS

Rough In Dimensions

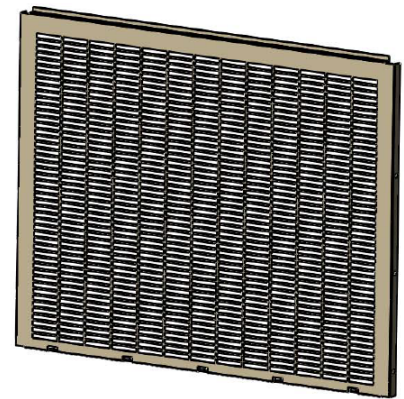
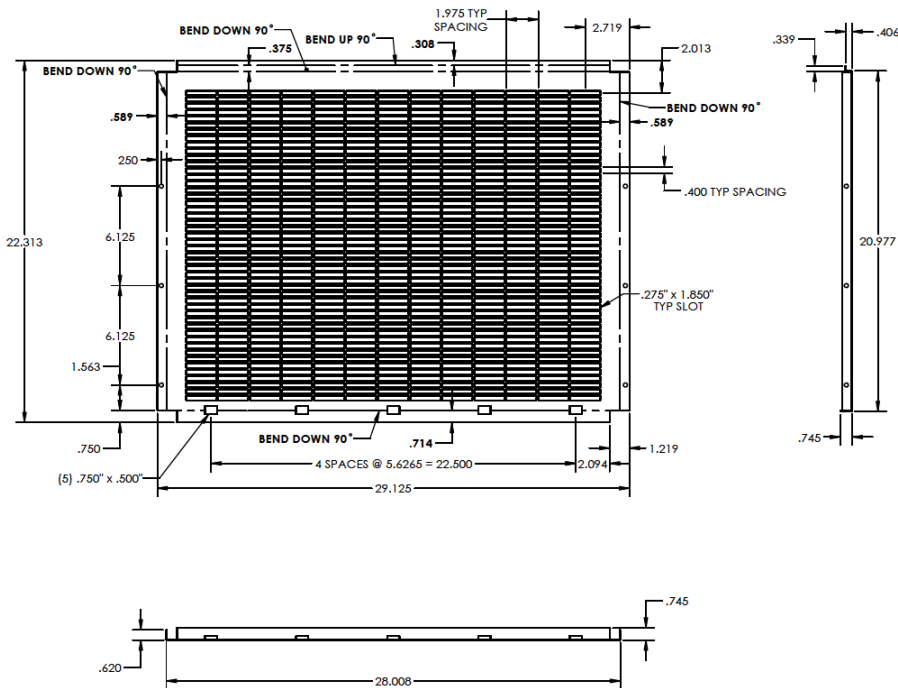
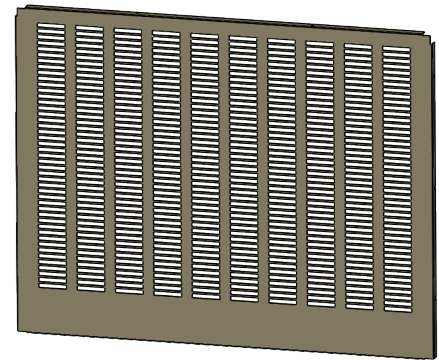
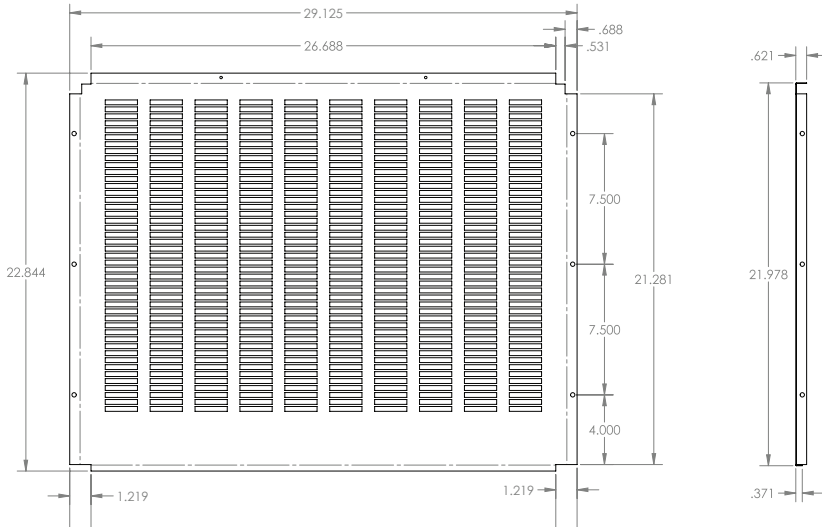


Actual Wall Sleeve Dimensions



**U-Series
Powder Coated Standard Louver (Sleeve Mounted)**

CPSG-P



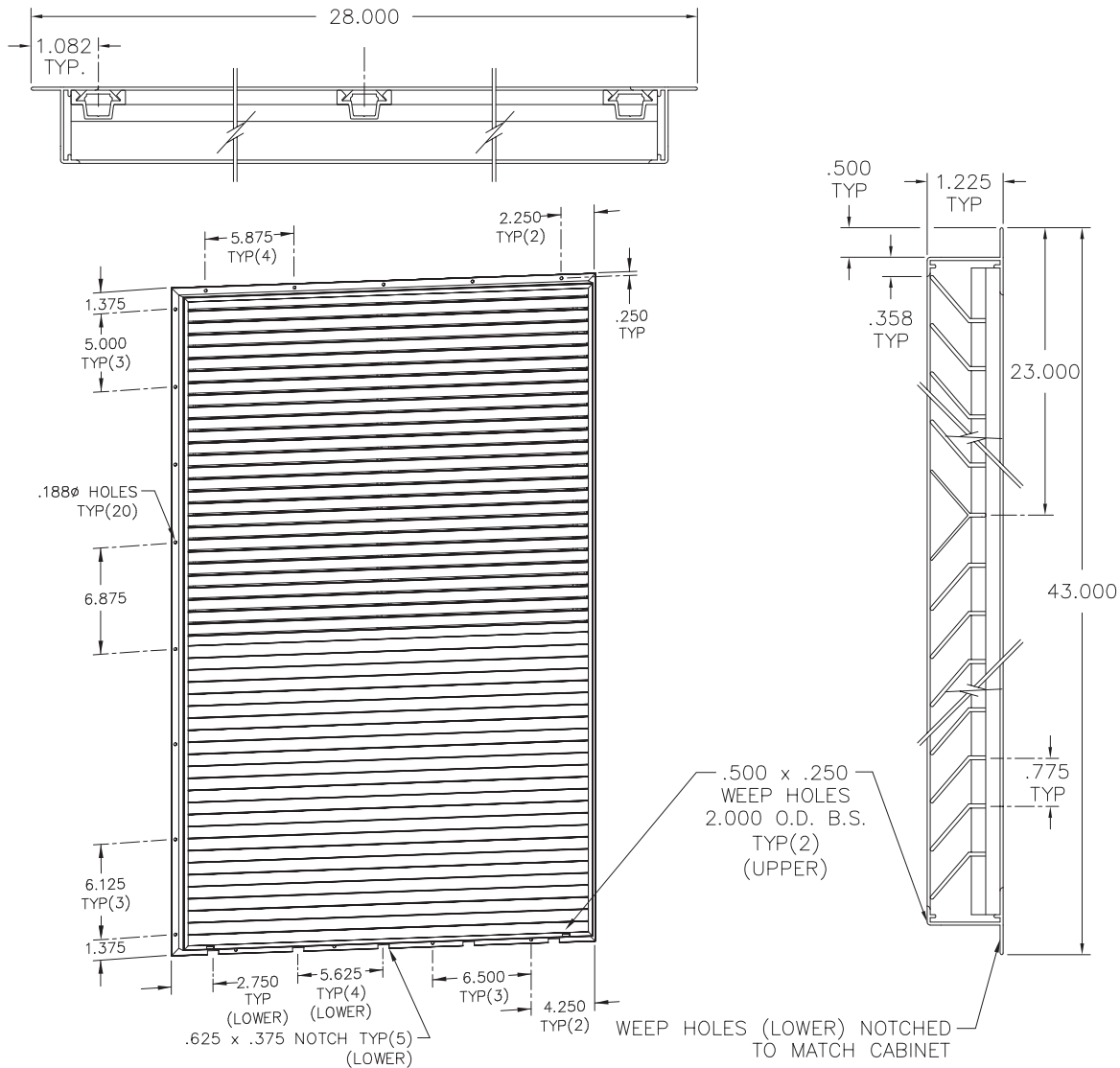
The CPSG-P version is a powder coated galvanized metal. It mounts to the Wall Sleeve and is recommended to be installed during the installation of the CPWS. (See page 10)

Project:

**U-Series
Architectural Louver (Unit Mounted)**

CPLG (anodized aluminum finish)

CPLG-P (painted finish)



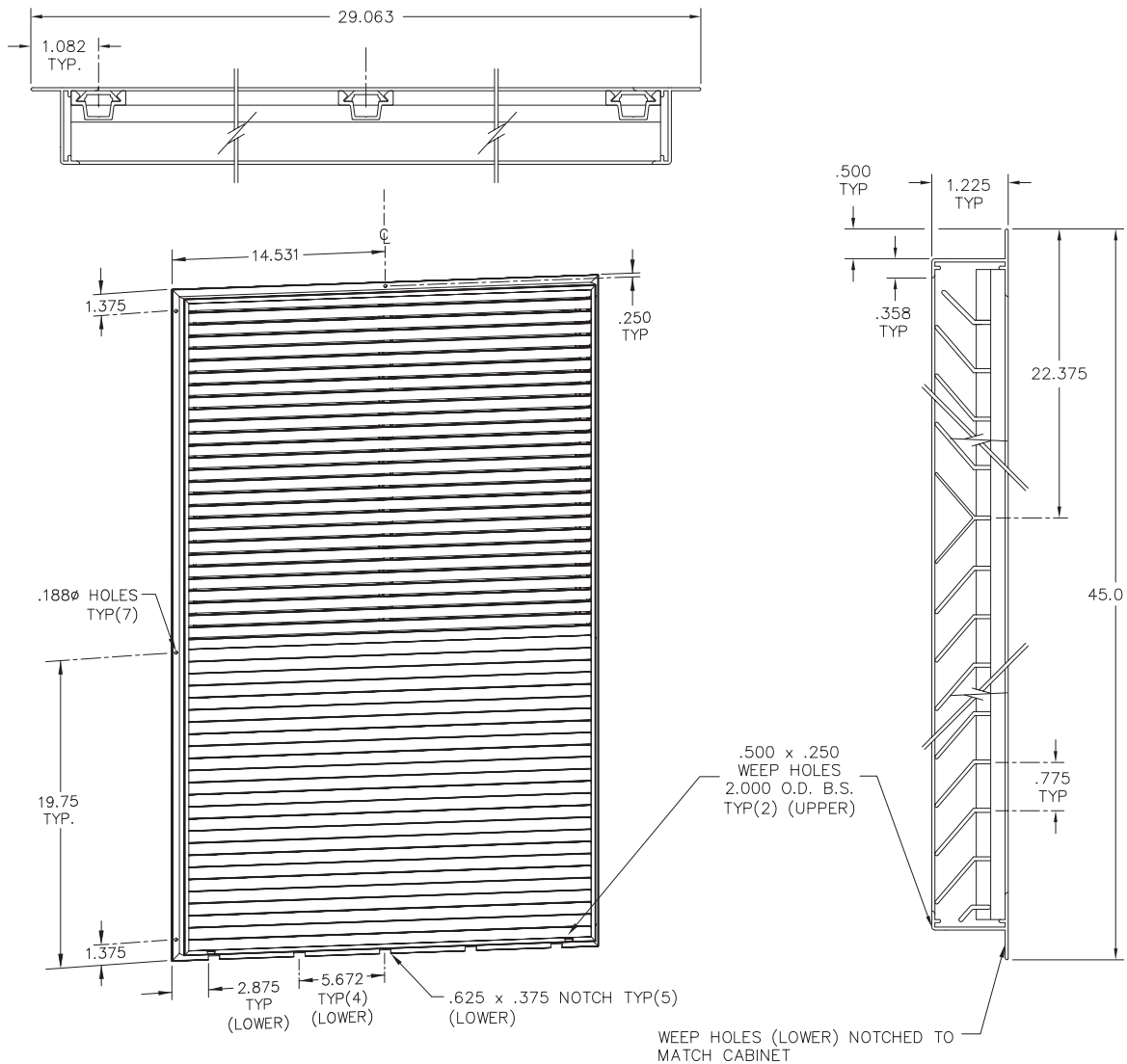
The CPLG & CPLG-P are Architectural Louvers available in anodized aluminum or a painted baked enamel finish. These Louvers are unit mounted.

Project:

**U-Series
Architectural Louver (Sleeve Mounted)**

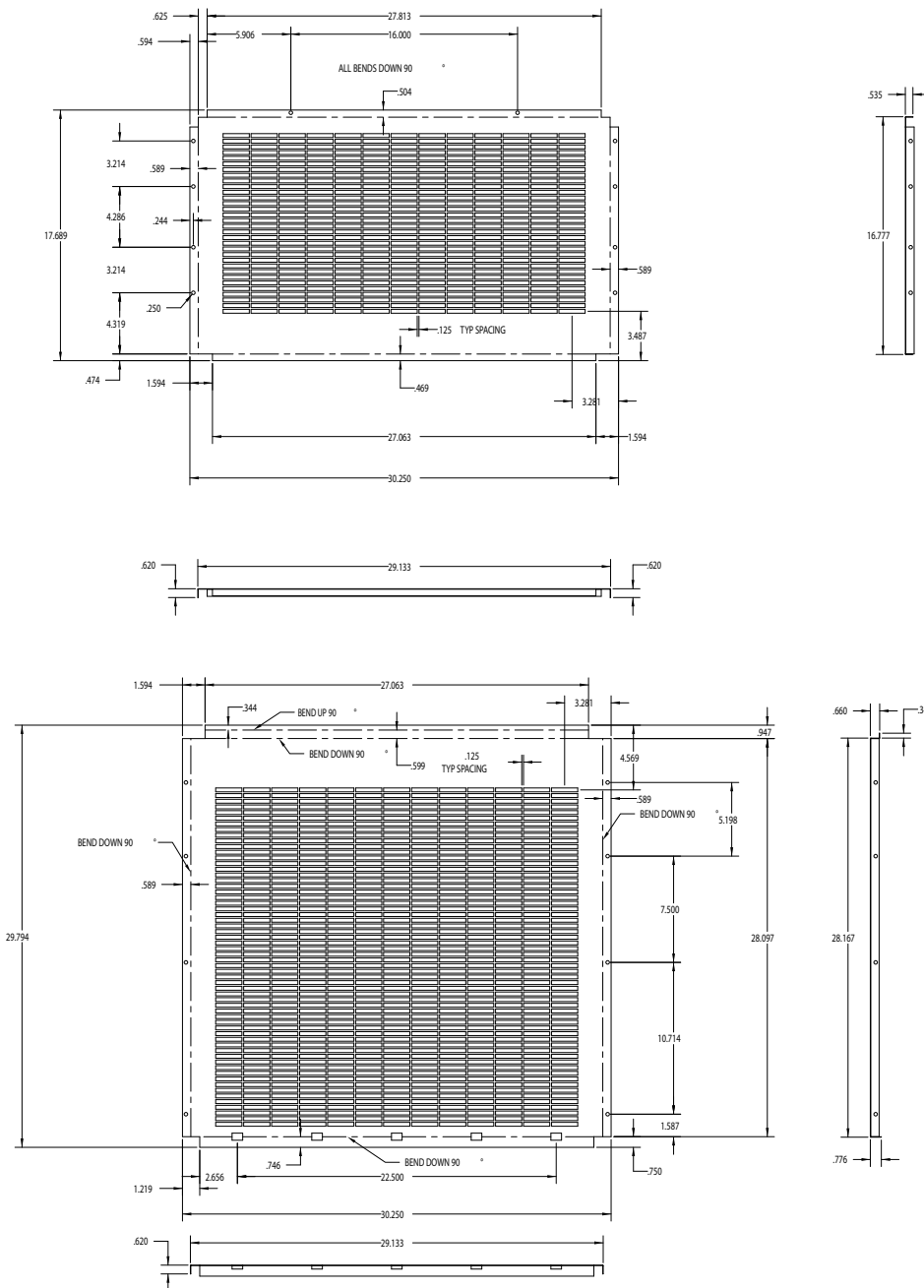
CPLG-S (anodized aluminum finish)

CPLG-SP (painted finish)



The CPLG-S & CPLG-SP are Architectural Louvers available in anodized aluminum or a painted baked enamel finish. These Louvers are sleeve mounted and recommended to be installed during the installation of the CPWS. (See page 10)

**T-Series
Powder Coated Standard Louver (Sleeve Mounted)
CPSGT-P**

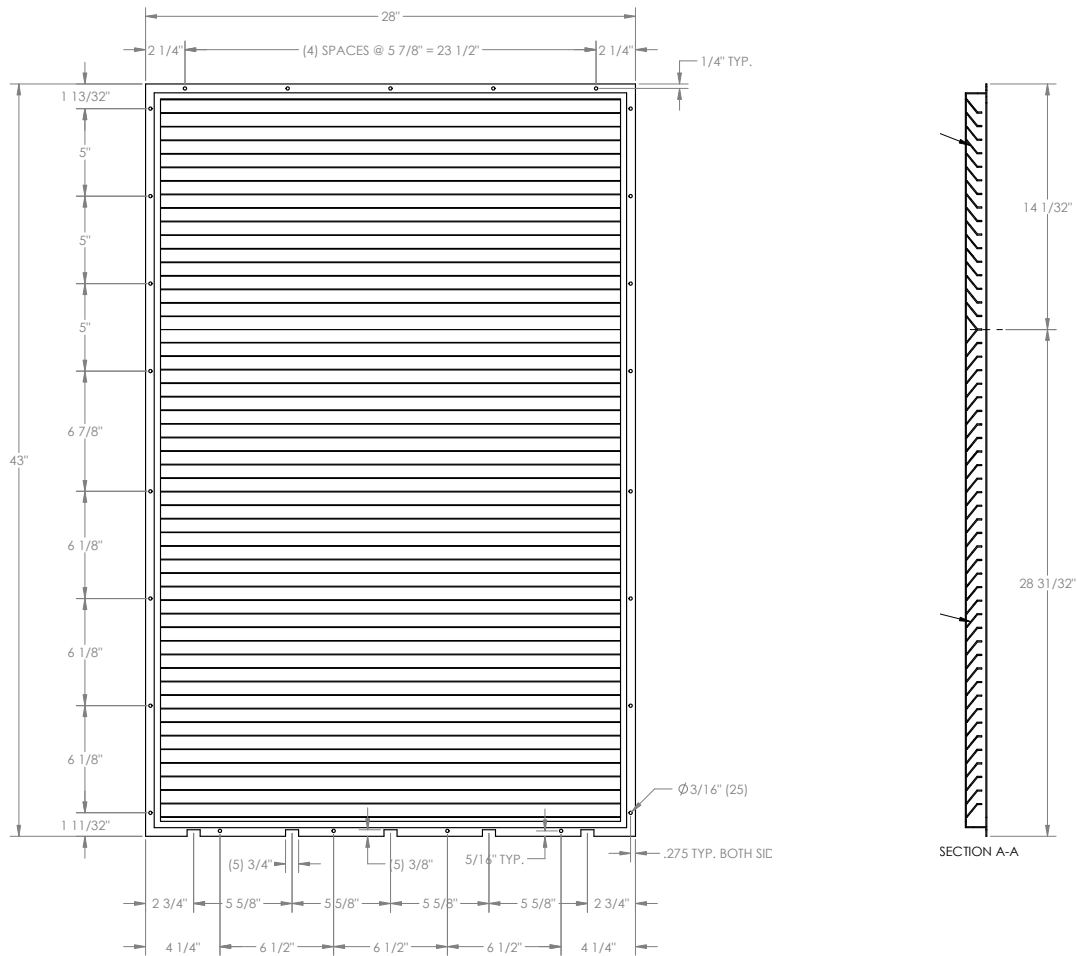


The CPSGT-P version is a powder coated galvanized metal. It mounts to the Wall Sleeve and is recommended to be installed during the installation of the CPWS. (See page 10)

**T-Series
Architectural Louver (Unit Mounted)**

CPLGT (anodized aluminum finish)

CPLGT-P (painted finish)



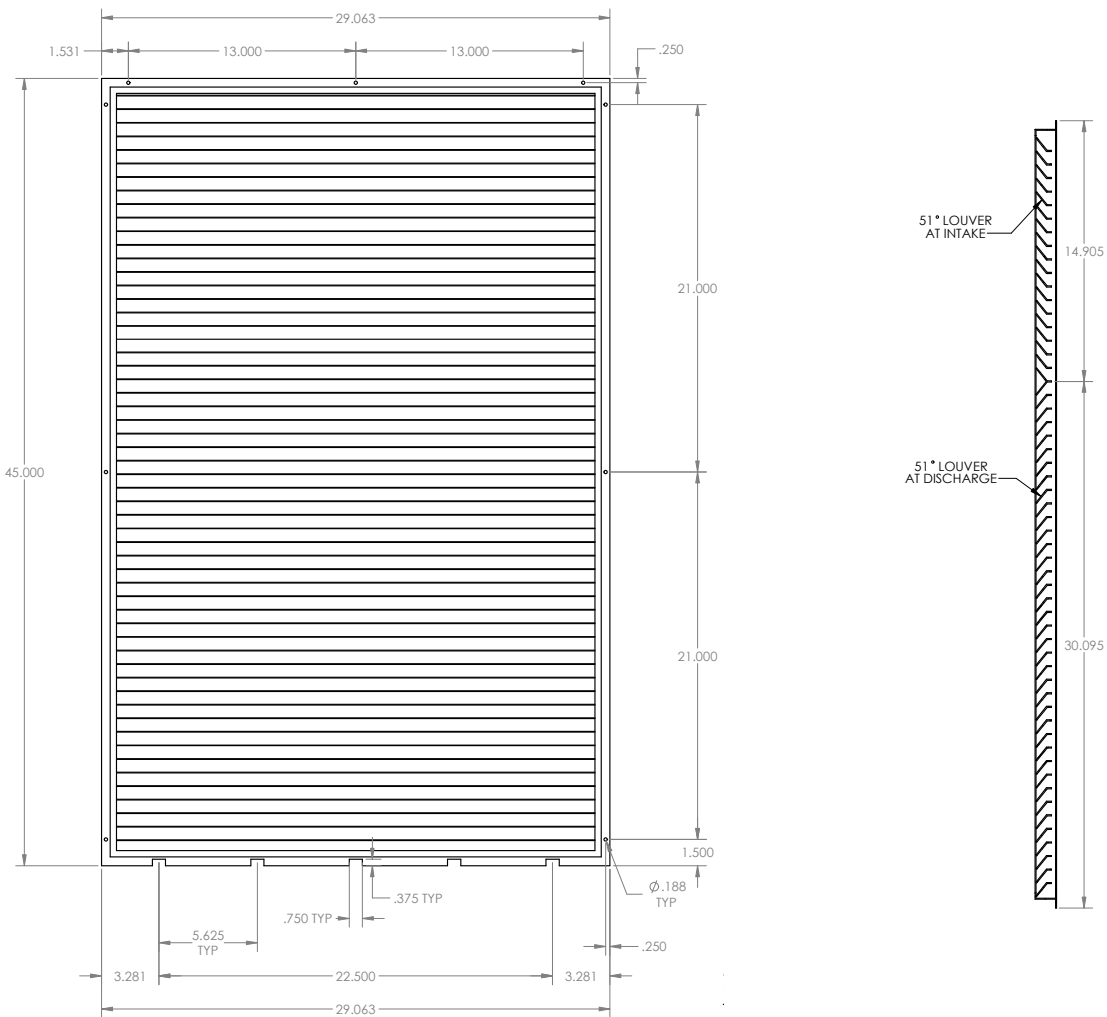
***Updates Coming Soon. Specifications Subject to Change.**

The CPLGT & CPLGT-P are Architectural Louvers available in anodized aluminum or a painted baked enamel finish. These Louvers are unit mounted.

**T-Series
Architectural Louver (Sleeve Mounted)**

CPLGT-S (anodized aluminum finish)

CPLGT-SP (painted finish)



***Updates Coming Soon. Specifications Subject to Change.**

The CPLGT-S & CPLGT-SP are Architectural Louvers available in anodized aluminum or a painted baked enamel finish. These Louvers are sleeve mounted and recommended to be installed during the installation of the CPWS. (See page 10)

**NATIONAL[®]
COMFORT
PRODUCTS**

HEATING & A/C EQUIPMENT

National Comfort Products
A Division of National Refrigeration and Air Conditioning Products, Inc.
539 Dunksferry Road • Bensalem, PA 19020-5908
(800) 523-7138
www.nationalcomfortproducts.com

