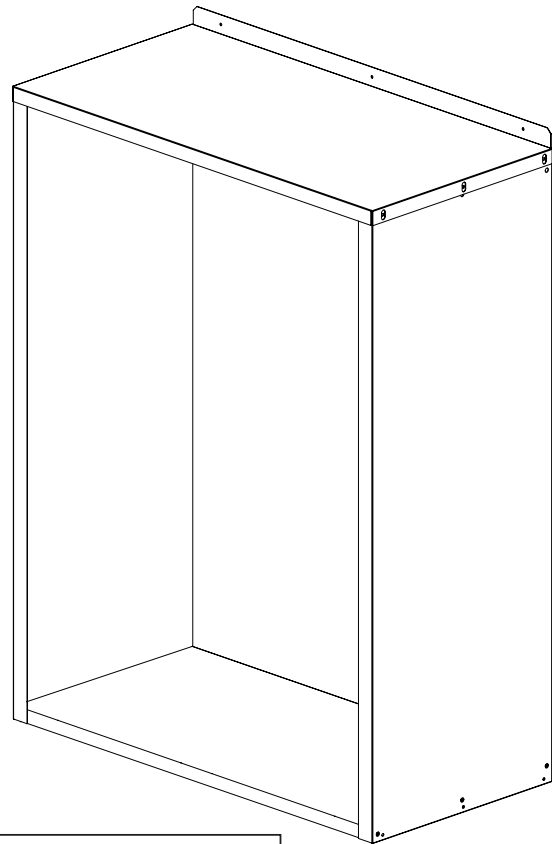


Thru-the-Wall Condensing and Heat Pump Units

Assembly Instructions

Wall Sleeve for Condensing Units & Heat Pumps

This unit should
be installed in an
**OUTSIDE WALL FOR
THRU-THE-WALL
INSTALLATION ONLY!**



NCPE/NHPA

Please read the entire installation guide before starting the installation.

National Comfort Products®

A Division of National Refrigeration & Air Conditioning Products, Inc.

539 Dunksferry Road • Bensalem, PA 19020 • (215) 244-1400 • **1-800-523-7138** • Fax: (215) 639-1674

Assembly Instructions for Wall Sleeves (NCPE/NHPA)

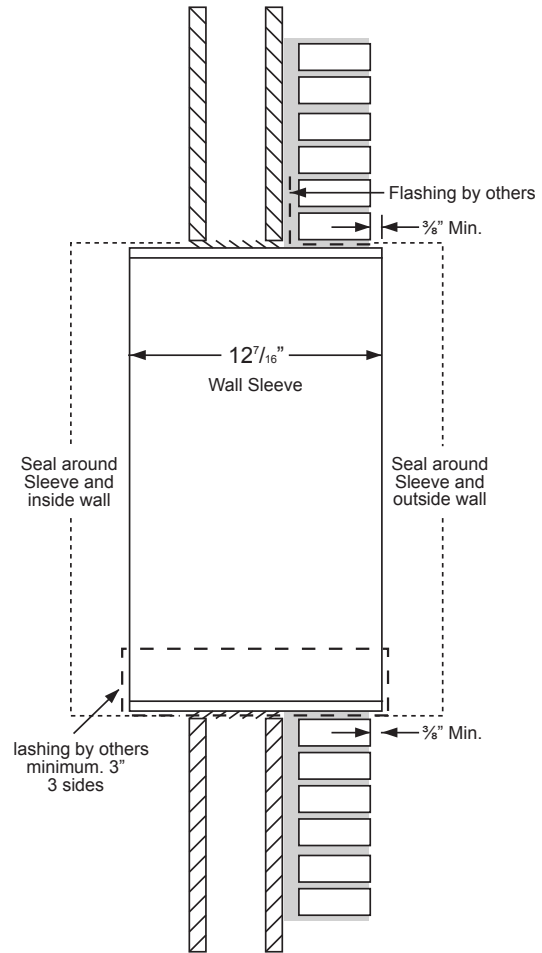
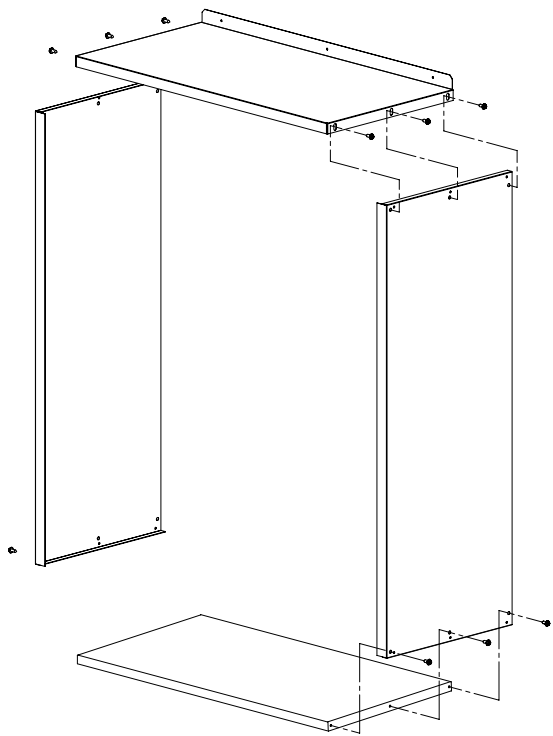
NOTE: DUE TO VARIOUS TYPES OF WALL CONSTRUCTION, IT IS NOT POSSIBLE TO PROVIDE DETAILED INSTRUCTIONS FOR THRU-THE-WALL INSTALLATIONS. THE FOLLOWING GUIDELINES AND PRECAUTIONS SHOULD BE CONSIDERED.

WARNING: SLEEVE MUST BE FASTENED TO THE WALL STUDS AND NOT THE FINISHED WALL.

1. Masonry walls must have a lintel to support the wall.
2. The Wall Sleeve should be assembled so that the side panel flanges and the bottom panel drain holes are on the same side. **The Louver or Grille should be mounted to that side (See Figure 1).** Caulk all Wall Sleeve joints during assembly.

Figure 2 - Installation

Figure 1 - Wall Sleeve Assembly



3. The Wall Sleeve should be installed so that the wall sleeve panels protrude 3/8" to 1/2" beyond the outside finished wall to prevent water entry (See Figure 2).

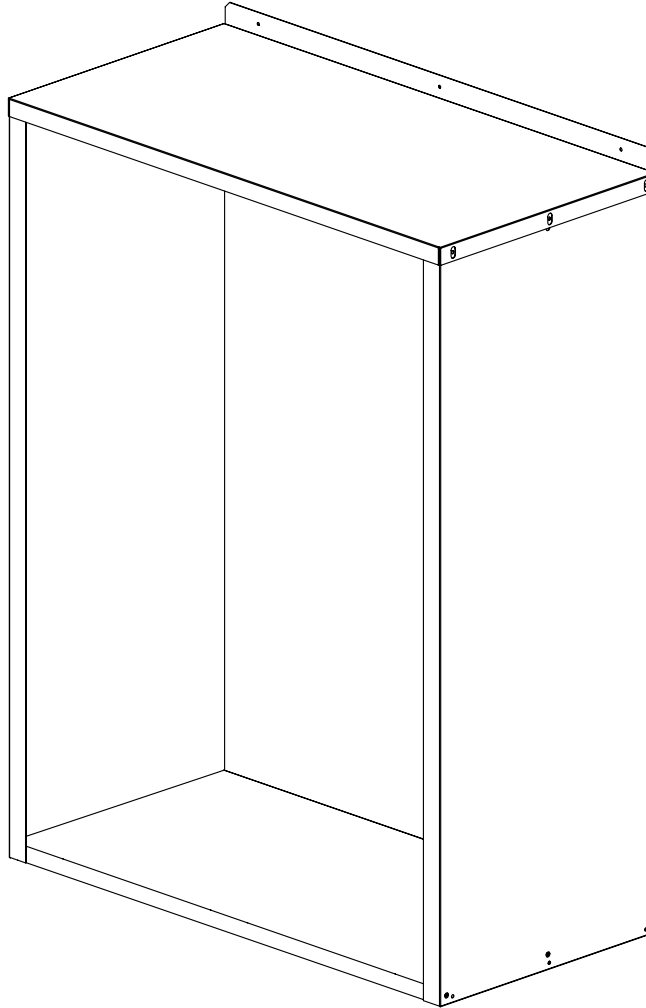
NCPE/NHPA SERIES	Rough-In Dimensions
	Width x Height (inches)
1000	27 ³ / ₈ x 30
3000*	25 ³ / ₈ x 34 ¹¹ / ₃₂
4000	31 ¹ / ₈ x 24 ¹ / ₂
5000	28 ¹ / ₂ x 40 ⁷ / ₁₆

*NHPA Heat Pump Available only in 3000 Series.

Assembly Instructions for Wall Sleeves (NCPE/NHPA)

4. Optional mounting angles can be purchased from the factory or field fabricated to locate and secure the unit into the wall.
5. The wall opening across the top and bottom of the Wall Sleeve must be flashed. All openings around the top, sides and bottom must be caulked and sealed.
6. All unused holes need to be sealed.
7. Make sure Wall Sleeve is square before securing.

NOTE: When optional Wall Sleeve is used, completely fill the spaces between the Wall Sleeve and the unit with a polyurethane foam sealant (follow manufacturer's suggested application manual).



NCPE/NHPA SERIES	Exterior Wall Sleeve Dimensions
	Width x Height x Depth (inches)
1000	$26\frac{7}{8} \times 29\frac{1}{2} \times 12\frac{3}{8}$
3000*	$24\frac{7}{8} \times 33\frac{27}{32} \times 12\frac{3}{8}$
4000	$30\frac{5}{8} \times 24 \times 12\frac{7}{16}$
5000	$28 \times 39\frac{15}{16} \times 12\frac{7}{16}$

*NHPA Heat Pump Available only in 3000 Series.

**NATIONAL[®]
COMFORT
PRODUCTS**

HEATING & A/C EQUIPMENT

National Comfort Products

A Division of National Refrigeration and Air Conditioning Products, Inc.

539 Dunksferry Road • Bensalem, PA 19020-5908
(800) 523-7138 • Fax (215) 639-1674

www.NationalComfortProducts.com

